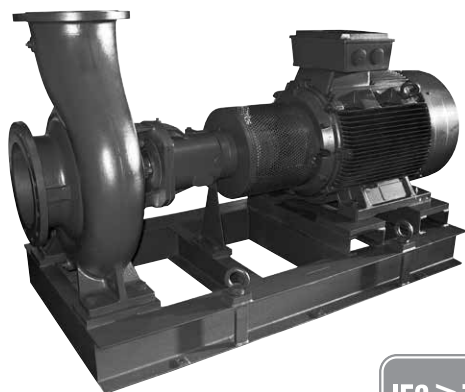


KDN OVERSIZE

STANDARDISED CENTRIFUGAL ELECTRIC PUMPS



TECHNICAL DATA

Rotation speed: 970 - 1450 - 2900 1/min.

Operating range:

from 4 to 3200 m³/h with head up to 158 metres.

Pumped liquid: clean, free of solids and abrasives, non-viscous, non-aggressive, non-crystallised and chemically neutral, with properties similar to water.

Pumped liquid temperature range: from -20°C to +120°C.

Maximum ambient temperature: +40 °C.

Maximum operating pressure:

16 bar as standard up to DN 200, 10 bar for KDN 250 - 300 - 350

Optional PN 16 for KDN 250 - 300 - 350 in the spheroidal cast iron version (H).

Installation: normally in the horizontal position.

Special executions on requests: pumps for liquids other than water. Special materials and other voltages and/or frequencies.

APPLICATIONS

Standardised centrifugal monobloc electric pumps with coupling, designed for a wide range of applications, such as:

- Central heating
- Water supply
- Air conditioning
- Refrigeration
- Industry
- Fire fighting
- Environmental engineering

CONSTRUCTION FEATURES OF THE PUMP

Non self-priming single stage spiral body centrifugal pump with axial suction port, radial delivery port and horizontal axis components, in compliance with ISO 2858/DIN 24256.

KDN pumps have PN 16 nominal sizes and performances.

The suction and delivery flanges are in compliance with EN 7005 PN 10 or 16. All the pumps are dynamically balanced according to ISO 1940 class 6.3; the impellers are hydraulically balanced.

Pump and motor are installed on a single base according to EN 23 661, made of fully welded steel.

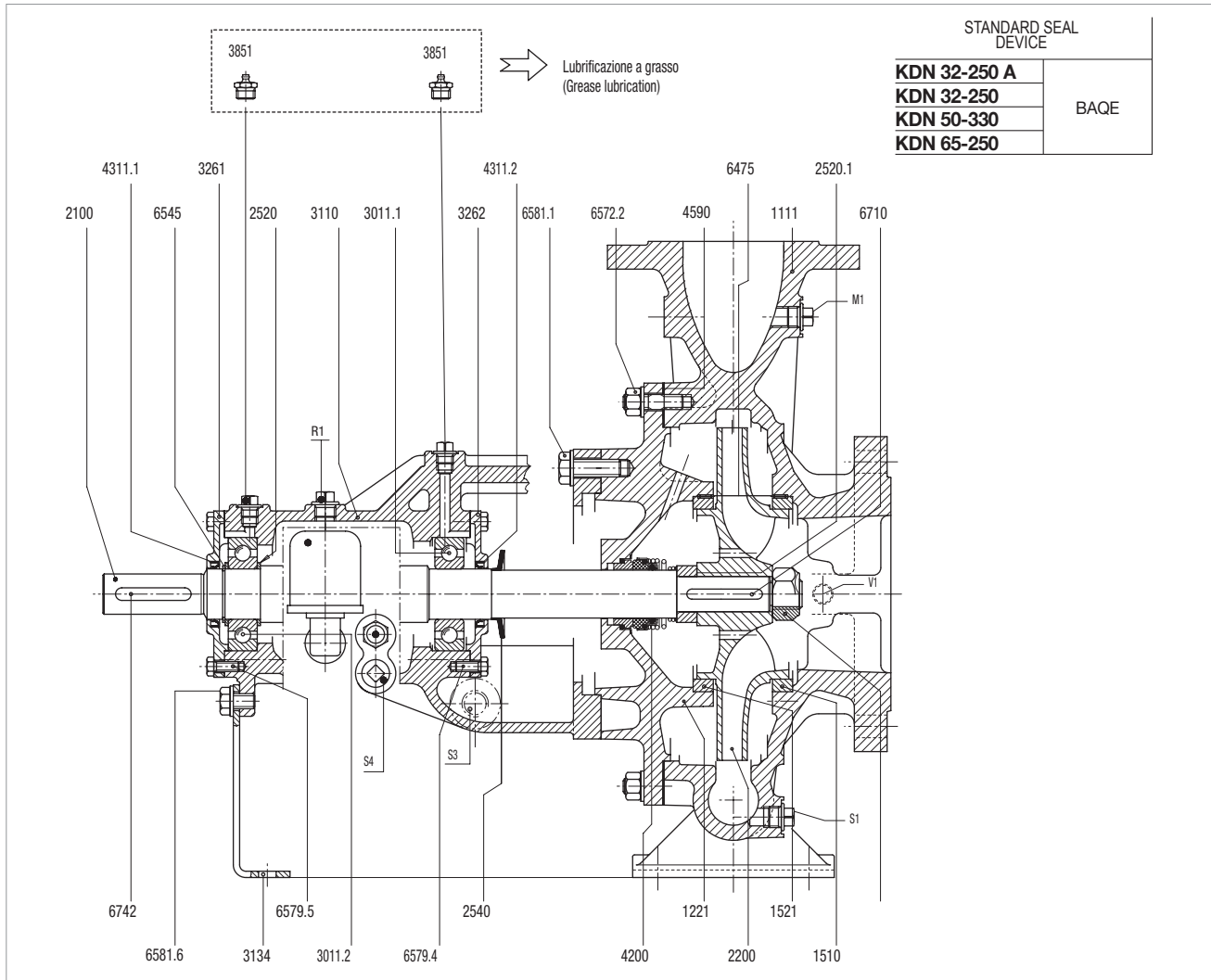
Oversize pumps have a base with welded steel profiles.

Thanks to the particular pump design, the bearings, the impeller, and the seal can be removed without detaching the pump body from the piping (back-pull-out design).

KDN OVERSIZE

STANDARDISED CENTRIFUGAL ELECTRIC PUMPS

MATERIALS



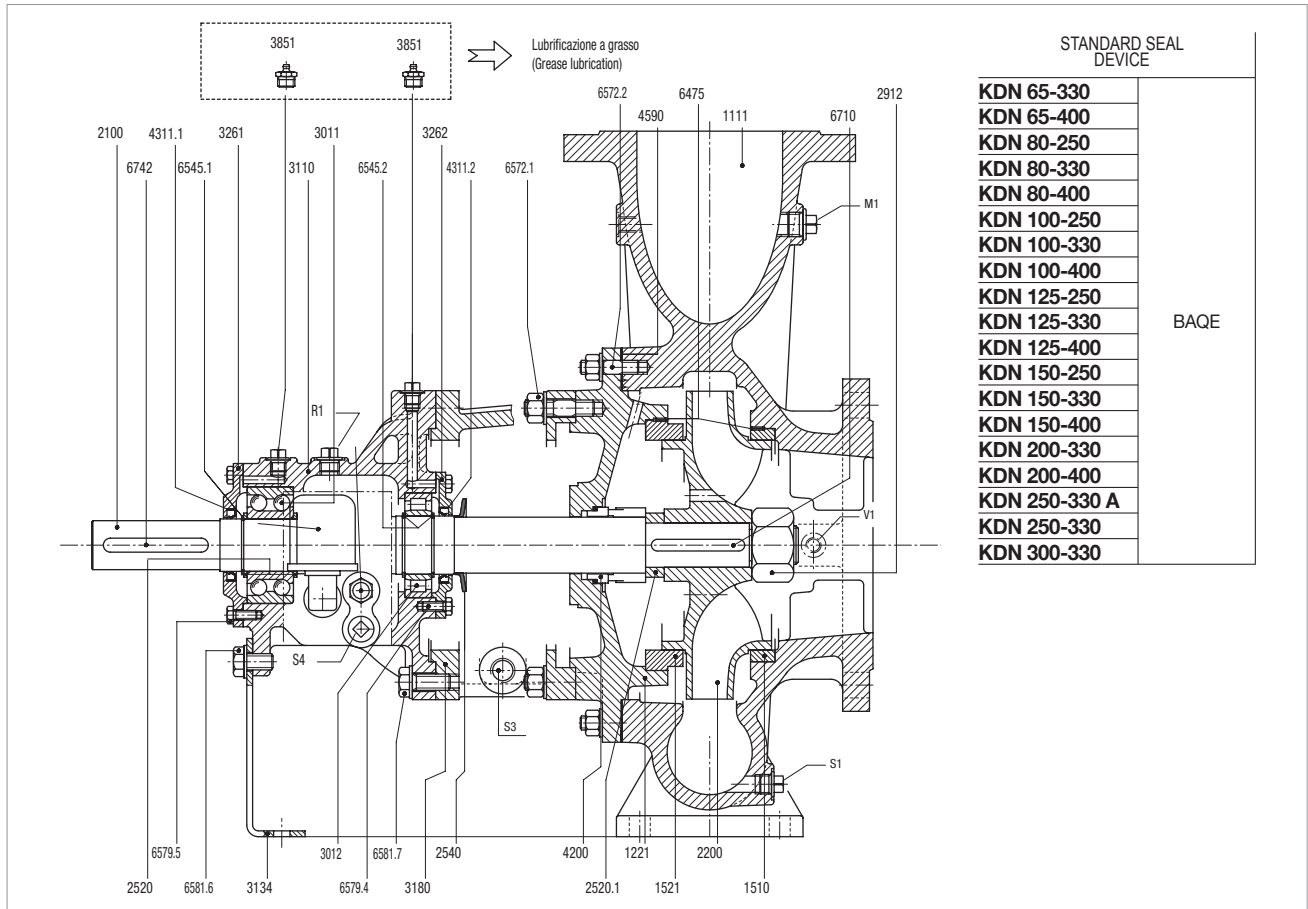
No.	PARTS	MATERIALS
1111	PUMP BODY	CAST IRON GG25
1221	COVER	CAST IRON GG25
1510	FRONT END WEAR RING	CAST IRON GG25
1521	REAR END WEAR RING	CAST IRON GG25
2100	SHAFT	AISI 420
2200	IMPELLER	CAST IRON GG25 CAST IRON GS400 CAST IRON GS400 CF8M STEEL
2520	SHOULDER RING	STEEL
2520.1	SHOULDER RING	STEEL
2540	THROWER	RUBBER
2912	IMPELLER NUT	CAST IRON GG25
3011.1	BALL BEARING	NA
3011.2	BALL BEARING	NA
3110	SUPPORT	CAST IRON GG25
3134	SUPPORT FOOT	STEEL
3261	BEARING COVER, DRIVE SIDE	CAST IRON GG25
3262	BEARING COVER, PUMP SIDE	CAST IRON GG25
4200	MECHANICAL SEAL	CARBON/SILICON CARBIDE
4311.1	SEAL RING	NBR
4311.2	SEAL RING	NBR

No.	PARTS	MATERIALS
4590	GASKET	NONAM
6475	DOWEL	STEEL 8.8
6545	SHAFT CIRCLIP	STEEL
6572.2	STUD BOLT + WASHER + NUT	STEEL
6579.4	SCREW	STEEL 8.8
6579.5	SCREW	STEEL 8.8
6581.1	SCREW + WASHER	STEEL 8.8
6581.6	SCREW + WASHER	STEEL 8.8
6710	IMPELLER KEY	STEEL
6742	COUPLING KEY	STEEL
M1	PRESSURE GAUGE CONNECTION	
R1	OIL FILLING	
S1	PUMP DRAIN PLUG	
S3	MECH. SEAL /PACKING DRAIN CONNECTION	
S4	OIL DRAIN PLUG	
V1	VACUUM GAUGE CONNECTION	
	GREASE LUBRICATION	
3851	GREASER	

KDN OVERSIZE

STANDARDISED CENTRIFUGAL ELECTRIC PUMPS

MATERIALS



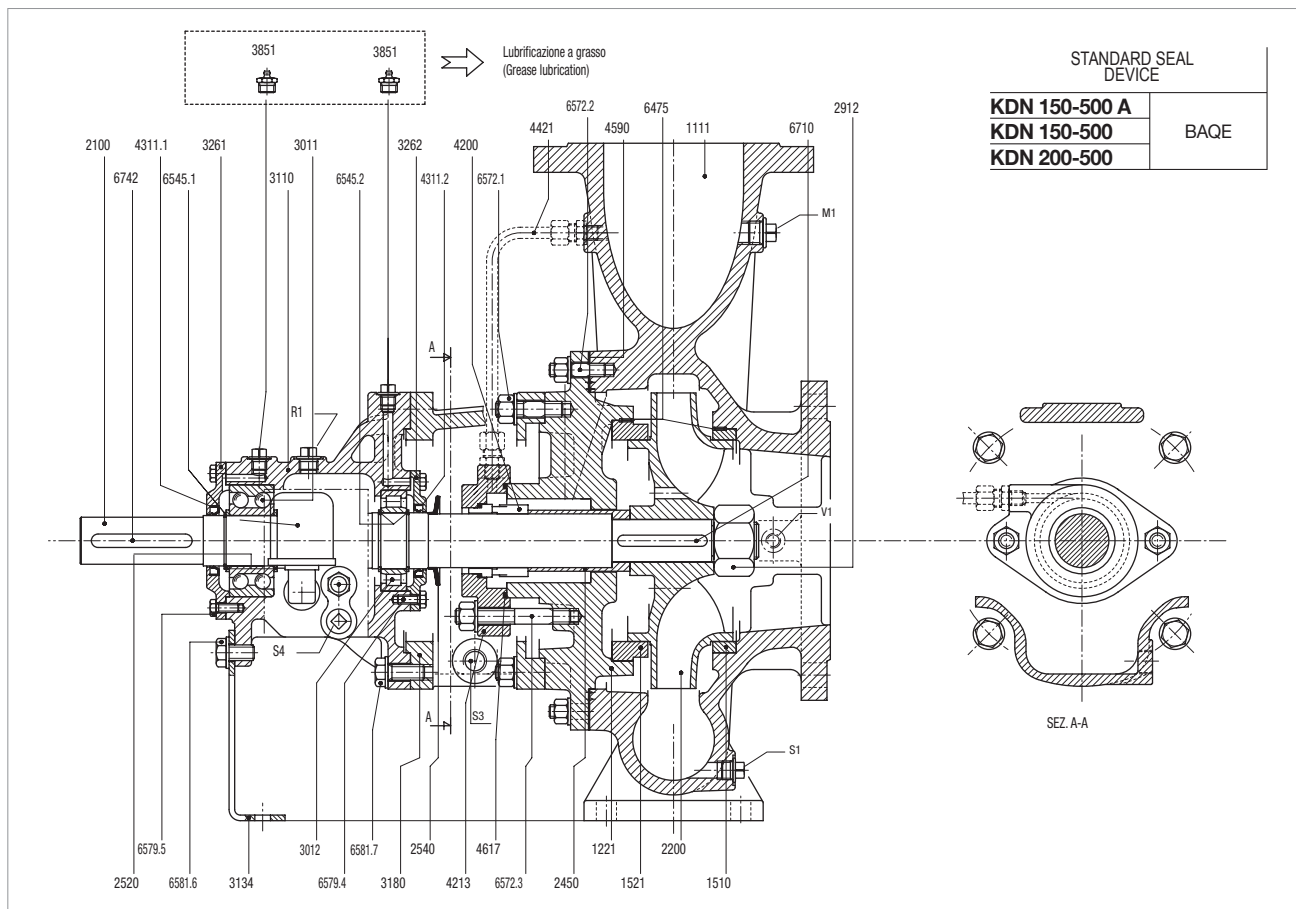
No.	PARTS	MATERIALS
1111	PUMP BODY	CAST IRON GG25
1221	COVER	CAST IRON GG25
1510	FRONT END WEAR RING	CAST IRON GG25
1521	REAR END WEAR RING	CAST IRON GG25
2100	SHAFT	AISI 420
2200	IMPELLER	CAST IRON GG25 CAST IRON GS400 CAST IRON GS400 CF8M STEEL CAST IRON GG25
2520	SHOULDER RING	STEEL
2520.1	SHOULDER RING	STEEL
2540	THROWER	RUBBER
2912	IMPELLER NUT	CAST IRON GG25
3011	BALL BEARING	NA
3012	ROLLER BEARING	NA
3110	SUPPORT	CAST IRON GG25
3134	SUPPORT FOOT	STEEL
3180	SUPPORT	CAST IRON GG25
3261	BEARING COVER, DRIVE SIDE	CAST IRON GG25
3262	BEARING COVER, PUMP SIDE	CAST IRON GG25
4200	MECHANICAL SEAL	TUNGSTEN CARBIDE/CARBON
4311.1	SEAL RING	NBR
4311.2	SEAL RING	NBR

No.	PARTS	MATERIALS
4590	GASKET	NONAM
6475	DOWEL	STEEL 8.8
6545.1	SHAFT CIRCLIP	STEEL
6545.2	SHAFT CIRCLIP	STEEL
6572.1	STUD BOLT + WASHER + NUT	STEEL
6572.2	STUD BOLT + WASHER + NUT	STEEL
6579.4	SCREW	STEEL 8.8
6579.5	SCREW	STEEL 8.8
6581.6	SCREW + WASHER	STEEL 8.8
6581.7	SCREW + WASHER	STEEL 8.8
6710	IMPELLER KEY	STEEL
6742	COUPLING KEY	STEEL
M1	PRESSURE GAUGE CONNECTION	
R1	OIL FILLING	
S1	PUMP DRAIN PLUG	
S3	MECH. SEAL/PACKING DRAIN CONNECTION	
V1	VACUUM GAUGE CONNECTION	
	GREASE LUBRICATION	
3851	GREASER	

KDN OVERSIZE

STANDARDISED CENTRIFUGAL ELECTRIC PUMPS

MATERIALS



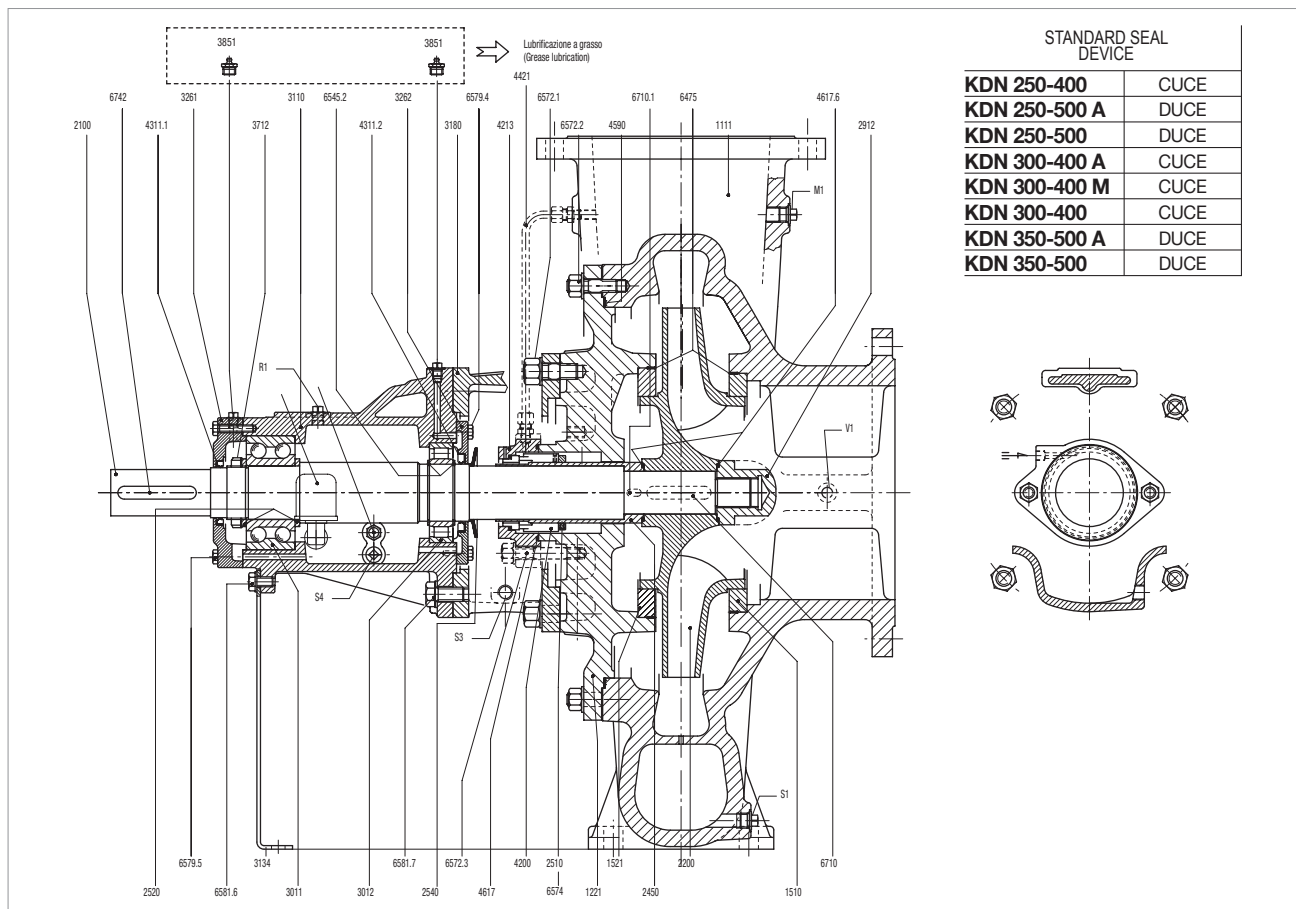
No.	PARTS	MATERIALS
1111	PUMP BODY	CAST IRON GG25
1221	COVER	CAST IRON GG25
1510	FRONT END WEAR RING	CAST IRON GG25
1521	REAR END WEAR RING	CAST IRON GG25
2100	SHAFT	AISI 420
2200	IMPELLER	CAST IRON GG25
2450	SHAFT SLEEVE	AISI 303
2520	SHOULDER RING	STEEL
2540	THROWER	RUBBER
2912	IMPELLER NUT	CAST IRON GG25
3011	BALL BEARING	NA
3012	ROLLER BEARING	NA
3110	SUPPORT	CAST IRON GG25
3134	SUPPORT FOOT	STEEL
3180	SUPPORT	CAST IRON GG25
3261	BEARING COVER, DRIVE SIDE	CAST IRON GG25
3262	BEARING COVER, PUMP SIDE	CAST IRON GG25
4200	MECHANICAL SEAL	CARBON/SILICON CARBIDE
4213	CARRIER FOR MECHANICAL SEAL	CAST IRON GS400
4311.1	SEAL RING	NBR
4311.2	SEAL RING	NBR

No.	PARTS	MATERIALS
4421	PIPE	AISI 316
4590	GASKET	NONAM
4617	O-RING	NBR
6475	DOWEL	STEEL 8.8
6545.1	SHAFT CIRCLIP	STEEL
6545.2	SHAFT CIRCLIP	STEEL
6572.1	STUD BOLT + WASHER + NUT	STEEL
6572.2	STUD BOLT + WASHER + NUT	STEEL
6572.3	STUD BOLT + WASHER + NUT	STEEL
6579.4	SCREW	STEEL 8.8
6579.5	SCREW	STEEL 8.8
6581.6	SCREW + WASHER	STEEL 8.8
6710	IMPELLER KEY	STEEL
6742	COUPLING KEY	STEEL
M1	PRESSURE GAUGE CONNECTION	
R1	OIL FILLING	
S1	PUMP DRAIN PLUG	
S3	MECH. SEAL /PACKING DRAIN CONNECTION	
V1	VACUUM GAUGE CONNECTION	
	GREASE LUBRICATION	
3851	GREASER	

KDN OVERSIZE

STANDARDISED CENTRIFUGAL ELECTRIC PUMPS

MATERIALS



No.	PARTS	MATERIALS	
1111	PUMP BODY	CAST IRON GG25	CAST IRON GS400
1221	COVER	CAST IRON GG25	CAST IRON GS400
1510	FRONT END WEAR RING	CAST IRON GG25	
1521	REAR END WEAR RING	CAST IRON GG25	
2100	SHAFT	AISI 420	
2200	IMPELLER	CAST IRON GG25	
2450	SHAFT SLEEVE	AISI 303	
2510	SPACER RING	CAST IRON GG25	
2520	SHOULDER RING	STEEL	
2540	THROWER	RUBBER	
2912	IMPELLER NUT	CAST IRON GG25	
3011	BALL BEARING	NA	
3012	ROLLER BEARING	NA	
3110	SUPPORT	CAST IRON GG25	
3134	SUPPORT FOOT	STEEL	
3180	SUPPORT	CAST IRON GG25	
3261	BEARING COVER, DRIVE SIDE	CAST IRON GG25	
3262	BEARING COVER, PUMP SIDE	CAST IRON GG25	
3712	BEARING NUT	STEEL	
4200	MECHANICAL SEAL	TUNGSTEN CARBIDE/CARBON	
4213	CARRIER FOR MECHANICAL SEAL	CAST IRON GS400	
4311.1	SEAL RING	NBR	
4311.2	SEAL RING	NBR	
4421	PIPE	AISI 316	
4590	GASKET	NONAM	GRAPHITE

No.	PARTS	MATERIALS
4617	O-RING	NBR
4617.6	O-RING	NBR
6475	DOWEL	STEEL 8.8
6545.2	SHAFT CIRCLIP	STEEL
6572.1	STUD BOLT + WASHER + NUT	STEEL
6572.2	STUD BOLT + WASHER + NUT	STEEL
6572.3	STUD BOLT + WASHER + NUT	STEEL
6574	SCREW	STEEL 8.8
6579.4	SCREW	STEEL 8.8
6579.5	SCREW	STEEL 8.8
6581.6	SCREW + WASHER	STEEL 8.8
6581.7	SCREW + WASHER	STEEL 8.8
6710	IMPELLER KEY	STEEL
6710.1	IMPELLER KEY	STEEL
6742	COUPLING KEY	STEEL
M1	PRESSURE GAUGE CONNECTION	
R1	OIL FILLING	
S1	PUMP DRAIN PLUG	
S3	MECH. SEAL /PACKING DRAIN CONNECTION	
S4	OIL DRAIN PLUG	
V1	VACUUM GAUGE CONNECTION	
	GREASE LUBRICATION	
3851	GREASER	

KDN OVERSIZE

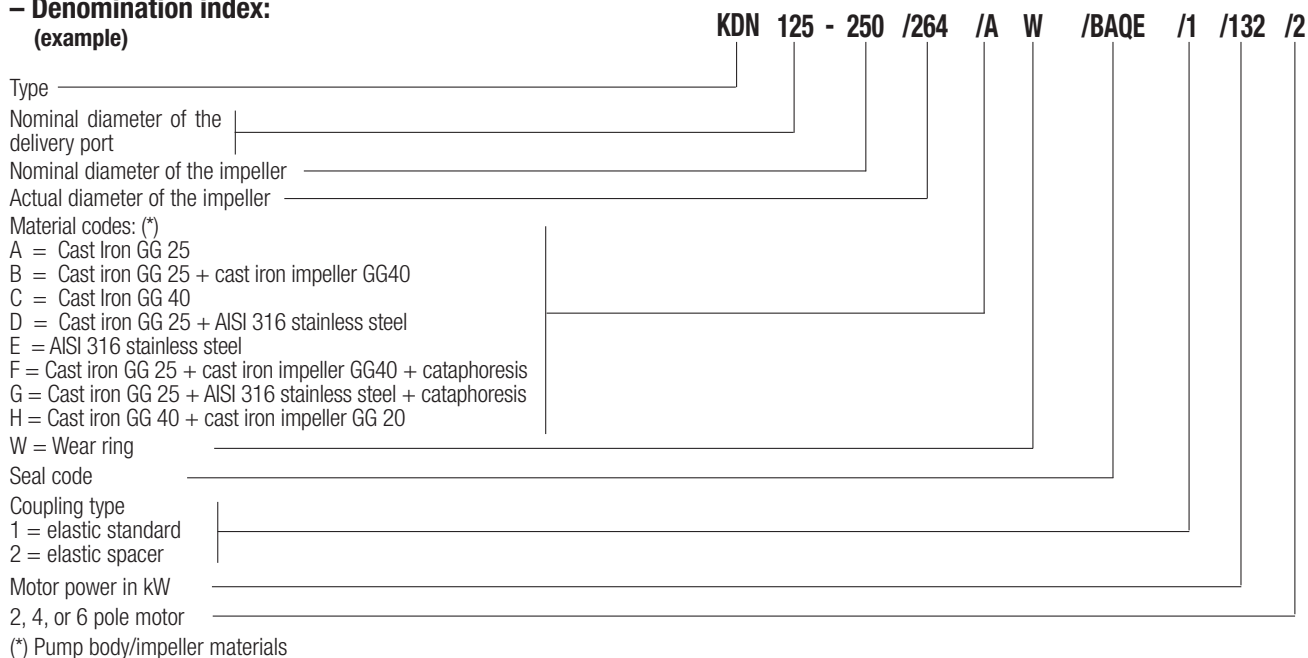
STANDARDISED CENTRIFUGAL ELECTRIC PUMPS

PRODUCT DESCRIPTION

In the description of the pumps without a motor, the motor data are not mentioned. In the description of the bare shaft pump no mention is made of the coupling or motor data.

The example describes an KDN 125-250 with 264 mm. impeller, in cast iron with wear rings, with BAQE type mechanics, standard coupling, and a 132 kW 2-pole motor.

– Denomination index: (example)



PACKING CODES

Position	Code	Description of the seal
1	S	Stuffing box type
		Cooling
2	N	Stuffing box not cooled
	K	Stuffing box cooled
		Sealing liquid
	E	With internal liquid
3	F	With external liquid
	O	Without sealing liquid

DESCRIPTION OF THE MECHANICAL SEAL

Position	Code	Description of the seal
1	A	O-ring seal with fixed guide
	B	Rubber bellows seal
	C	O-ring seal with spring guide
	D	O-ring seal balanced
	G	Rubber bellows seal with reduced seal faces
	M	Rubber bellows seal
	X	Metal bellows seal
		Materials
2 & 3	A	Impregnated carbon/metal
	B	Impregnated carbon/synthetic resin
	C	Other carbon types
	S	Chromium steel
	U	Tungsten carbide
	Q	Silicon carbide
	V	Aluminium oxide (ceramic)
X	Other types of ceramic/carbide	
		Materials
4	P	Nitrile rubber (NBR)
	S	Silicon rubber
	T	Teflon (PTFE)
	E	EPDM
	V	FKM
	M	PTFE coated O-ring

- Flow rate: max 3200 m³/h

- Head: max 157 m3/h

Pumped liquid temperature range: from -10 °C to +120 °C (other temperatures available on request)

- Operating pressure: 16 bar as standard up to DN 200, 10 bar for KDN 250 - 300 - 350

Optional PN 16 for KDN 250 - 300 - 350 in the spheroidal cast iron version (H).

KDN OVERSIZE

STANDARDISED CENTRIFUGAL ELECTRIC PUMPS

PRODUCT CODE DESCRIPTION

NOMINAL DIAMETER OF THE IMPELLER	Cod.
250	4
400	8
500	9
330A	A
330	B
500A	D
400M	E
400A	F
250A	G

Cod.	PUMP/IMPELLER MATERIALS
A	Spheroidal cast iron + cast iron impeller + W*
5	Cast iron/cast iron + W*
6	Cast iron/spheroidal cast iron + W*
7	Full spheroidal cast iron + W*
8	Cast iron/AISI 316 impeller + W*
9	Full AISI 316 + W*
P	6 + Cataphoresis
R	8 + Cataphoresis

* With wear rings

Cod.	JOINT
0	Without coupling *)
1	With standard coupling
2	With spacer coupling

PUMP TYPE	Cod.
32 oversize	L
65 oversize	A
80 oversize	B
100 oversize	C
125 oversize	D
150 oversize	H
200 oversize	E
250 oversize	F
300 oversize	G
350 oversize	I

Cod.	SEAL (1)
1	BAQE
2	BAQE (RMG12)
5	BQQV
7	BAQV
A	SNE
B	SNO
C	SNF
D	SKO
E	GQQE
F	GQQV
G	BQQE
S	DUCE
T	CUCE

(1) For standard seals see the Technical Data section

Cod.	P2 NOMINAL
0	bare shaft
1	0.37
2	0.55
3	0.75
4	1.1
5	1.5
6	2.2
7	3
8	4
9	5.5
A	7.5
B	11
C	15
D	18.5
E	22
F	30
G	37
H	45
K	55
L	75
M	90
N	110
P	132
Q	160
R	200
S	250
T	315
U	355
V	400
W	450
Z	500

Cod.	VOLTAGE	PO-LES
0	Without motor	
1	3 x 220-240/380-415 V 50 Hz(<0,75 kW) 3 x 220-277/380-480 V 60 Hz	2
2	3 x 380-480 V 60 Hz	2
3	3 x 220-240/380-415 V 50 Hz(<0,75 kW) 3 x 220-277/380-480 V 60 Hz	4
4	3 x 380-480 V 60 Hz	4
7	3 x 220-240/380-415 V 50 Hz(<0,75 kW) 3 x 220-277/380-480 V 60 Hz	6
8	3 x 380-480 V 60 Hz	6
A	3 x 220-240/380-415 V 50 Hz - IE2	2
B	3 x 380-415 V 50 Hz - IE2	2
C	3 x 220-240/380-415 V 50 Hz - IE2	4
D	3 x 380-415 V 50 Hz - IE2	4
E	3 x 220-240/380-415 V 50 Hz - IE2	6
F	3 x 380-415 V; 50 Hz; e45; IE2	6
U	3 x 220-240/380-415 V 50 Hz - IE3	2
V	3 x 380-415 V 50 Hz - IE3	2
W	3 x 220-240/380-415 V 50 Hz - IE3	4
X	3 x 380-415 V 50 Hz - IE3	4
Y	3 x 220-240/380-415 V 50 Hz - IE3	6
Z	3 x 380-415 V 50 Hz - IE3	6

Product code

1 F 1 K 1 1 B X 3

— Bare shaft pump — **0 0 0**
 — Pump with base without motor — **0**
 — Complete electric pump with base —

KDN OVERSIZE

STANDARDISED CENTRIFUGAL ELECTRIC PUMPS

GENERAL DATA

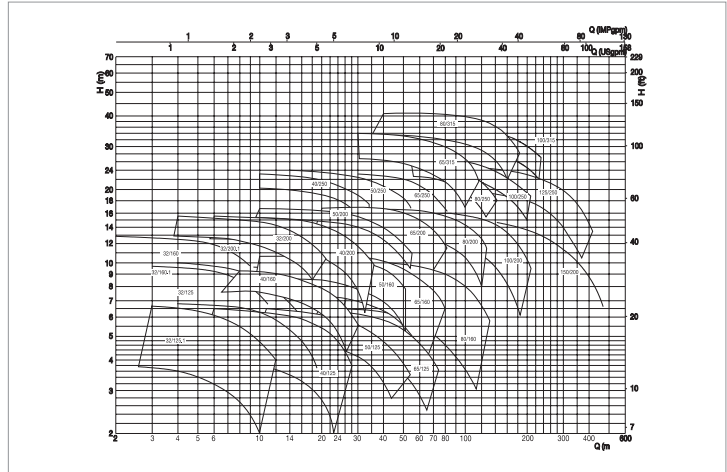
Supplied with closed asynchronous type motor, external ventilation cooling, 2 or 4 poles.

Rotor running on ball bearings, largely oversized to ensure low noise and durability.

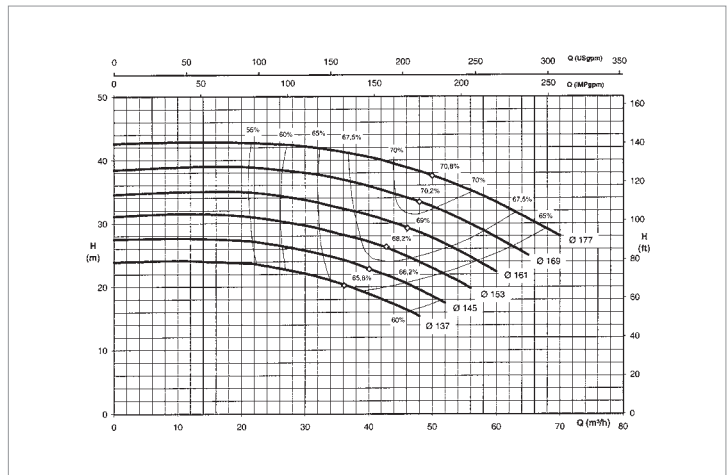
Electrical protection: in compliance with the EEC 89/336 ELECTROMAGNETIC COMPATIBILITY DIRECTIVE and subsequent amendments, the EEC 73/23 LOW VOLTAGE DIRECTIVE and subsequent amendments, as well as CEI 2-3 standards.

INSTRUCTIONS FOR THE IDENTIFICATION OF THE PUMP AND MOTOR REQUIRED.

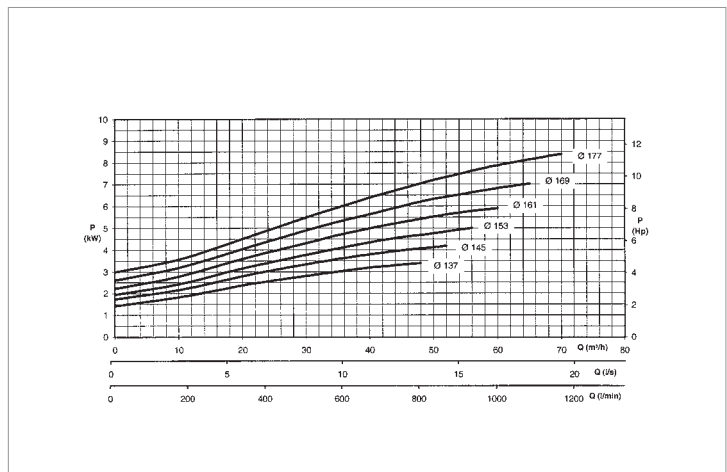
1. On the general chart supplied, find the family pump that indicatively offers the required flow rate and head characteristics.



2. Look for the most appropriate characteristic on the characteristic curves for each family.



3. On the power chart, identify the power required by the pump in order to operate at the required level.



KDN OVERSIZE

STANDARDISED CENTRIFUGAL ELECTRIC PUMPS

- Due to the possibility of variations in the pumped liquid flow rate, which can cause an oscillation of the point of operation, a higher power absorption may occur. When selecting the motor, allow for the following safety margins:

Safety margin according to ISO 5199

REQUIRED PUMP SHAFT POWER (kW)	POWER OF THE MOTOR TO USE P2 (kW)
322	355
286	315
227	250
181	200
145	160
120	132
100	110
81	90
68	75
49	55
40	45
32.5	37
26	30
19	22
15.9	18.5
12.8	15
9.1	11
6.1	7.5
4.3	5.5
3.2	4
2.3	3
1.7	2.2
1.1	1.5
0.81	1.1
0.55	0.75
0.40	0.55
0.27	0.37
0.18	0.25

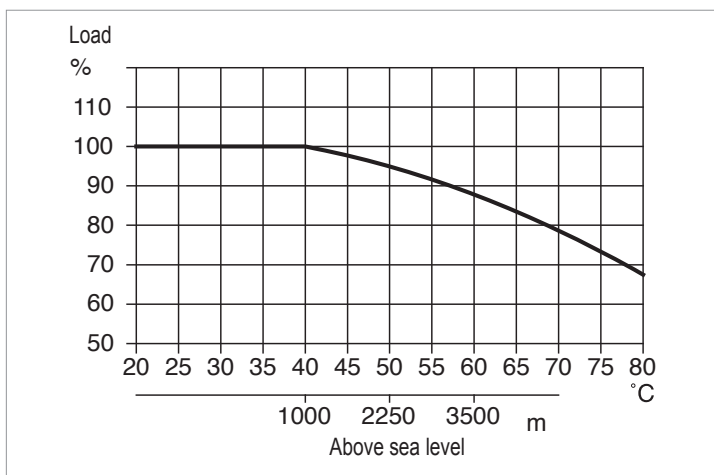
If the pump is to be used with liquids with fairly high specific weight and viscosity values, apply any required corrections to the power of the motor to be installed (check the suitability of the construction materials in contact with the liquid).

- With the name of the pump and the power of the motor, look through the following technical data to find the name of the most suitable base (complete with motor, spacer coupling, and coupling cover).
- The pump and base required will be delivered already assembled and aligned, although an alignment check is always required after installation (see INSTRUCTION MANUAL).

Ambient temperature

From -30 °C to +40 °C

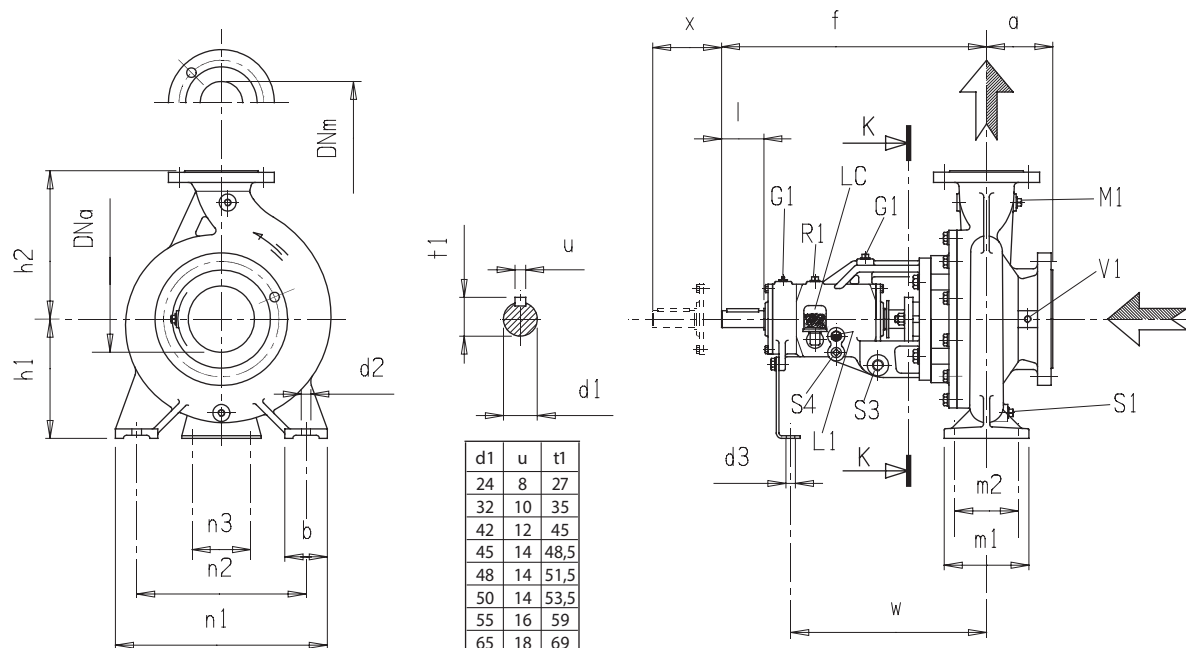
Due to the low density, and therefore low cooling effect of the air, operation at an ambient temperature above 40 °C, or at an altitude exceeding 1000 m above sea level, requires a reduction of the rated motor load in accordance with this table.



KDN OVERSIZE

STANDARDISED CENTRIFUGAL ELECTRIC PUMPS

DIMENSIONS OF BARE SHAFT PUMPS

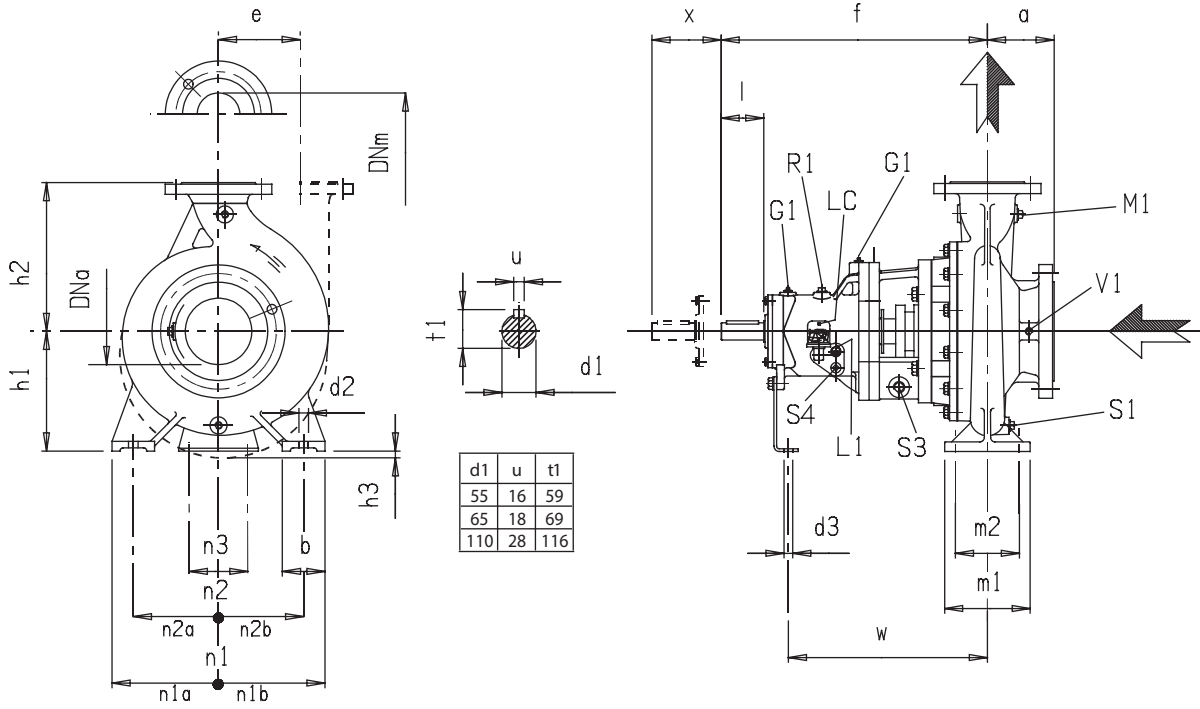


		Grease lubrication		Oil lubrication	
M1	Pressure gauge connection	G1	Greaser	R1	Oil filling $\frac{3}{8}$ "
S1	Drain plug			L1	Oil level $\frac{3}{8}$ "
S3	Packing drain connection $\frac{1}{2}$ "			S4	Oil drain plug $\frac{3}{8}$ "
V1	Vacuum gauge connection			LC	Constant level oil $\frac{1}{4}$ "

Type	Supp.	DNa	DNm	a	f	h1	h2	b	m1	m2	n1	n2	d2	n3	d3	w	x	d1	l	M1	S1	V1	kg
KDN 32-250A	2	50	32	100	500	180	225	65	125	95	320	250	14	110	14	370	100	32	80	3/8"	1/4"	1/4"	78
KDN 32-250	2	50	32	100	500	180	225	65	125	95	320	250	14	110	14	370	100	32	80	3/8"	1/4"	1/4"	78
KDN 50-330	2	80	50	125	500	225	280	65	125	95	345	280	14	110	14	370	100	32	80	3/8"	1/4"	1/4"	116
KDN 65-250	2	100	65	125	500	200	250	80	160	120	360	280	18	110	14	370	140	32	80	3/8"	1/4"	1/4"	88
KDN 65-330	3	100	65	125	530	225	280	80	160	120	400	315	18	110	14	370	140	42	110	3/8"	1/4"	1/4"	152
KDN 65-400	3	100	65	125	530	280	355	80	160	120	435	355	18	110	14	370	140	42	110	3/8"	1/4"	1/4"	180
KDN 80-250	2	125	80	125	500	225	280	80	160	120	400	315	18	110	14	370	140	32	80	3/8"	3/8"	3/8"	100
KDN 80-330	3	125	80	125	530	250	315	80	160	120	400	315	18	110	14	370	140	42	110	3/8"	3/8"	3/8"	155
KDN 80-400	3	125	80	125	530	280	355	80	160	120	435	355	18	110	14	370	140	42	110	3/8"	3/8"	3/8"	185
KDN 100-250	3	125	100	140	530	225	280	80	160	120	400	315	18	110	14	370	140	42	110	3/8"	3/8"	3/8"	130
KDN 100-330	3	125	100	140	530	250	315	80	160	120	400	315	18	110	14	370	140	42	110	3/8"	3/8"	3/8"	170
KDN 100-400	3	125	100	140	530	280	355	100	200	150	500	400	23	110	14	370	140	42	110	3/8"	3/8"	3/8"	200
KDN 125-250	3	150	125	140	530	250	355	80	160	120	400	315	18	110	14	370	140	42	110	1/2"	3/8"	3/8"	140
KDN 125-330	3	150	125	140	530	280	355	100	200	150	500	400	23	110	14	370	140	42	110	1/2"	3/8"	3/8"	190
KDN 125-400	3	150	125	140	530	315	400	100	200	150	500	400	23	110	14	370	140	42	110	1/2"	3/8"	3/8"	220
KDN 150-250	3	200	150	160	530	280	375	100	200	150	500	400	23	110	14	370	180	42	110	1/2"	1/2"	3/8"	180
KDN 150-330	4	200	150	160	670	315	400	100	200	150	550	450	22	140	18	500	180	55 ¹⁾	110	1/2"	1/2"	3/8"	255
KDN 150-400	4	200	150	160	670	315	450	100	200	150	550	450	22	140	18	500	180	55 ¹⁾	110	1/2"	1/2"	3/8"	298
KDN 150-500	4	200	150	180	670	355	500	100	200	150	550	450	22	140	18	500	180	55	110	1/2"	1/2"	3/8"	410
KDN 150-500A	4	200	150	180	670	355	500	100	200	150	550	450	22	140	18	500	180	55	110	1/2"	1/2"	3/8"	410

¹⁾ Size d1 Ø 48 on request for pumps according to DIN 24256 - ISO 2858

DIMENSIONS OF BARE SHAFT PUMPS



		Grease lubrication		Oil lubrication	
M1	Pressure gauge connection	G1	Greaser	R1	Oil filling $\frac{3}{8}$ "
S1	Drain plug			L1	Oil level $\frac{3}{8}$ "
S3	Packing drain connection $\frac{1}{2}$ "			S4	Oil drain plug $\frac{3}{8}$ "
V1	Vacuum gauge connection			LC	Constant level oil $\frac{1}{4}$ "

Type	Supp.	DNa	DNm	a	f	h1	h2	b	m1	m2	n1	n1a	n1b	n2	n2a	n2b	d2	n3	d3	h3	and	w	x	d1	l	M1	S1	V1	kg
KDN 200-330	4	250	200	200	670	355	450	100	200	150	550	275	275	450	225	225	22	140	18			500	180	55	110	1/2"	1/2"	3/8"	360
KDN 200-400	4	250	200	185	670	355	500	100	200	150	550	275	275	450	225	225	22	140	18			500	180	55	110	1/2"	1/2"	3/8"	390
KDN 200-500	4	250	200	185	670	400	580	140	250	190	800	400	400	660	330	330	27	140	18	15		500	180	55	110	1/2"	1/2"	3/8"	400
KDN 250-330	4	300	250	250	670	400	525	140	250	190	700	350	350	560	280	280	27	140	18			500	240	55	110	1/2"	1/2"	3/8"	410
KDN 250-400	5	300	250	225	780	400	600	125	250	190	690	345	345	560	280	280	27	140	18			545	180	65	140	1/2"	1/2"	3/8"	650
KDN 250-500	5	300	250	300	800	500	500	130	260	190	830	380	450	710	320	390	27	140	18		425	565	250	65	140	1/2"	1/2"	3/8"	700
KDN 250-500A	5	300	250	300	800	500	500	130	260	190	830	380	450	710	320	390	27	140	18		425	565	250	65	140	1/2"	1/2"	3/8"	700
KDN 300-330	4	350	300	300	720	500	670	150	360	280	900	450	450	750	375	375	27	140	18			550	240	55	110	1/2"	1/2"	3/8"	780
KDN 300-400	5	350	300	325	790	400	640	125	250	190	690	345	345	560	280	280	27	140	18			555	240	65	140	1/2"	1/2"	3/8"	800
KDN 300-400A	5	350	300	325	790	400	640	125	250	190	690	345	345	560	280	280	27	140	18			555	240	65	140	1/2"	1/2"	3/8"	800
KDN 300-400M	5	350	300	300	845	500	670	150	360	280	900	450	450	750	375	375	27	140	18		610	240	65	140	1/2"	1/2"	3/8"	900	
KDN 350-500	6	400	350	380	1150	600	600	150	400	300	1000	450	550	850	375	475	27	140	18		450	800	380	110	210	1/2"	1/2"	3/8"	1080
KDN 350-500A	6	400	350	380	1150	600	600	150	400	300	1000	450	550	850	375	475	27	140	18		450	800	380	110	210	1/2"	1/2"	3/8"	1080

KDN OVERSIZE - 2 POLE RANGE

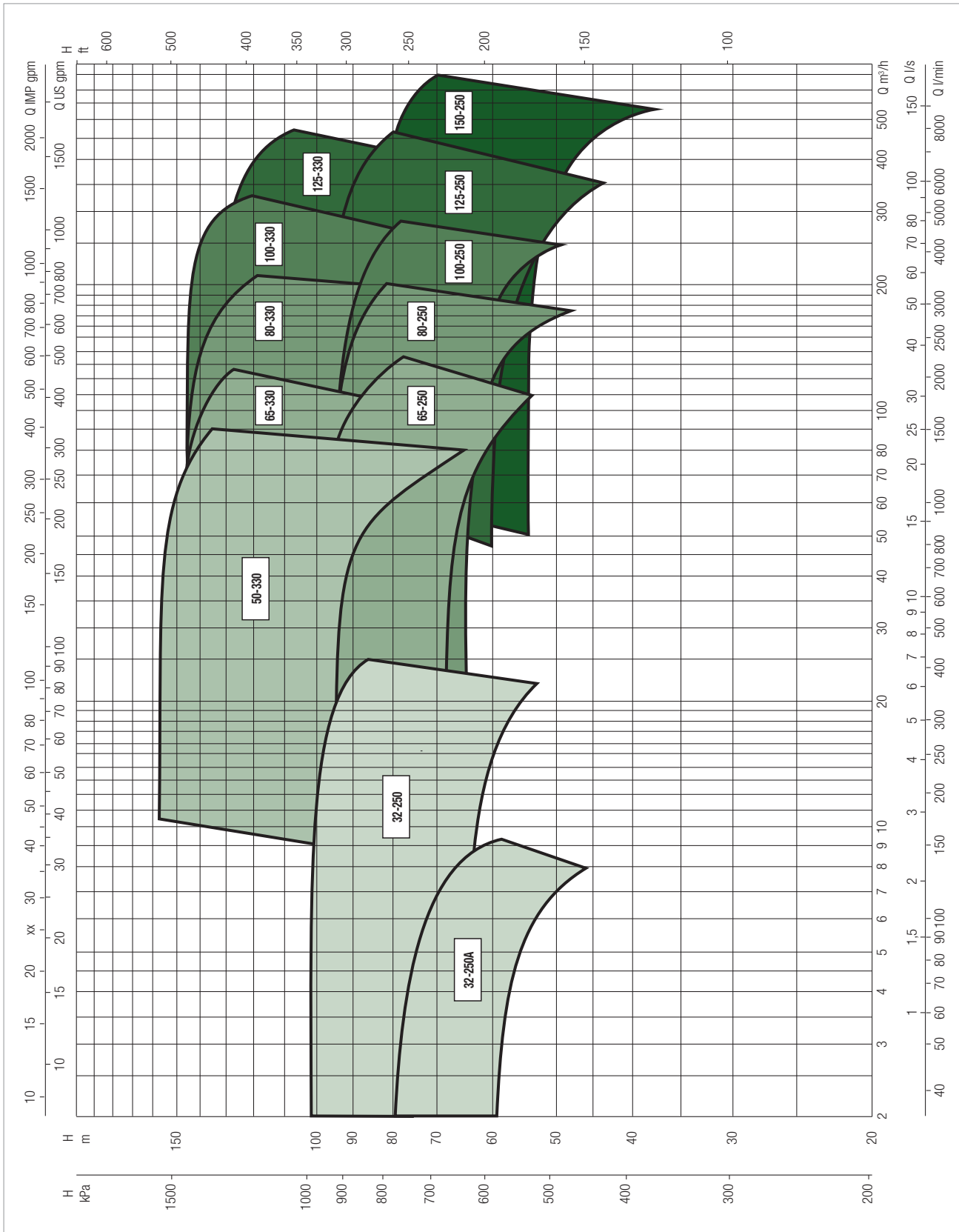
STANDARDISED CENTRIFUGAL ELECTRIC PUMPS

PERFORMANCE RANGE

The performance curves are based on kinematic viscosity values = 1 mm²/s and density equal to 1000 kg/m³. Curve tolerance according to ISO 9906.

GRAPHIC SELECTION TABLE

= 2900 1/min



KDN OVERSIZE - 2 POLES

STANDARDISED CENTRIFUGAL ELECTRIC PUMPS

SELECTION TABLE - KDN 32

MODEL	Q=m ³ /h	0	2	4	6	8	10	12	16	20	24
	Q=l/min	0	33	67	100	133	167	200	267	333	400
KDN 32-250 A / 244	H (m)	61	59	57	53	46					
KDN 32-250 A / 254		68	66	63	59	53					
KDN 32-250 A / 259		75	73	69	65	60	52				
KDN 32-250 A / 264		81	79	76	72	68	60				
KDN 32-250 / 224		63		63	63	63	62	62	59	55	
KDN 32-250 / 234		71		71	71	71	70	70	68	64	
KDN 32-250 / 244		81		81	81	80	80	80	79	76	68
KDN 32-250 / 254		91		91	91	91	90	90	89	85	78
KDN 32-250 / 264		100		100	100	100	100	100	98	95	87

SELECTION TABLE - KDN 50

MODEL	Q=m ³ /h	0	2	4	6	8	10	12	16	20	24	40	60	80	100
	Q=l/min	0	33	67	100	133	167	200	267	333	400	667	1000	1333	1667
KDN 50-330 / 270	H (m)	95								95	94	93	85	64	
KDN 50-330 / 290		115								115	114	113	106	88	
KDN 50-330 / 310		132								132	132	132	128	114	100
KDN 50-330 / 328		157								157	156	156	154	145	137

SELECTION TABLE - KDN 65

MODEL	Q=m ³ /h	0	2	4	6	8	10	12	16	20	24	40	60	80	100	120	130
	Q=l/min	0	33	67	100	133	167	200	267	333	400	667	1000	1333	1667	2000	2167
KDN 65-250 / 224	H (m)	67								66	66	66	64	61	56		
KDN 65-250 / 234		74								73	73	73	71	67	62	55	
KDN 65-250 / 244		81								81	80	80	79	76	71	65	
KDN 65-250 / 254		89								89	89	89	88	85	81	75	71
KDN 65-250 / 264		100								100	99	99	98	95	91	85	80
KDN 65-330 / 270		92								92	91	91	89	83	74		
KDN 65-330 / 290		110								110	109	108	105	100	92		
KDN 65-330 / 310		128								128	128	128	125	122	116	105	
KDN 65-330 / 328		150								150	149	149	148	144	139	128	

SELECTION TABLE - KDN 80

MODEL	Q=m ³ /h	0	2	4	6	8	10	12	16	20	24	40	60	80	100	120	130	150	180	200
	Q=l/min	0	33	67	100	133	167	200	267	333	400	667	1000	1333	1667	2000	2167	2500	3000	3333
KDN 80-250 / 224	H (m)	65										64	64	64	62	60	58	54		
KDN 80-250 / 234		71										71	71	71	69	67	65	61	55	
KDN 80-250 / 244		79										79	78	78	77	74	72	69	62	
KDN 80-250 / 254		87										87	86	86	85	83	80	78	72	
KDN 80-250 / 264		98										97	97	96	95	94	92	90	86	81
KDN 80-330 / 270		93										92	92	90	89	86	84	80	68	
KDN 80-330 / 290		108										107	107	106	105	102	100	96	85	
KDN 80-330 / 310		127										126	126	125	125	123	122	120	111	
KDN 80-330 / 328		148										147	147	146	146	143	142	139	130	123

KDN OVERSIZE - 2 POLES

STANDARDISED CENTRIFUGAL ELECTRIC PUMPS

SELECTION TABLE - KDN 100

MODEL	Q=m ³ /h	0	2	4	6	8	10	12	16	20	24	40	60	80	100	120	130	150	180	200	260	280	300	
	Q=l/min	0	33	67	100	133	167	200	267	333	400	667	1000	1333	1667	2000	2167	2500	3000	3333	4333	4667	5000	
KDN 100-250 / 224	H (m)	63										63	63	63	62	62	61	61	59	57				
KDN 100-250 / 234		71											71	71	71	70	70	70	69	68	65	55		
KDN 100-250 / 244		77											77	77	77	77	77	76	76	75	72	63		
KDN 100-250 / 254		86											86	86	86	86	85	85	84	83	81	74	70	
KDN 100-250 / 264		94											94	94	93	93	93	92	92	91	89	84	80	
KDN 100-330 / 270		93														92	92	91	90	88	85	70		
KDN 100-330 / 290		110														109	109	108	107	105	102	90	85	
KDN 100-330 / 310		129														128	128	127	127	125	123	112	107	102
KDN 100-330 / 328		148														148	148	147	147	146	145	137	135	120

SELECTION TABLE - KDN 125

MODEL	Q=m ³ /h	0	2	4	6	8	10	12	16	20	24	40	60	80	100	120	130	150	180	200	260	280	300	400	450	
	Q=l/min	0	33	67	100	133	167	200	267	333	400	667	1000	1333	1667	2000	2167	2500	3000	3333	4333	4667	5000	6667	7500	
KDN 125-250 / 220	H (m)	60													59	59	59	58	57	56	55	53	49			
KDN 125-250 / 235		72														71	71	71	70	70	69	68	66	62		
KDN 125-250 / 250		83														82	82	82	82	82	81	80	79	77	68	
KDN 125-250 / 264		97														97	97	97	97	97	96	95	94	93	86	
KDN 125-330 / 270		96														96	96	96	96	95	94	93	90	87	68	
KDN 125-330 / 290		112														112	112	111	111	110	110	109	107	104	92	
KDN 125-330 / 300		122														122	122	121	121	121	120	119	118	117	106	98
KDN 125-330 / 310		132														132	132	132	132	131	131	130	130	128	120	110

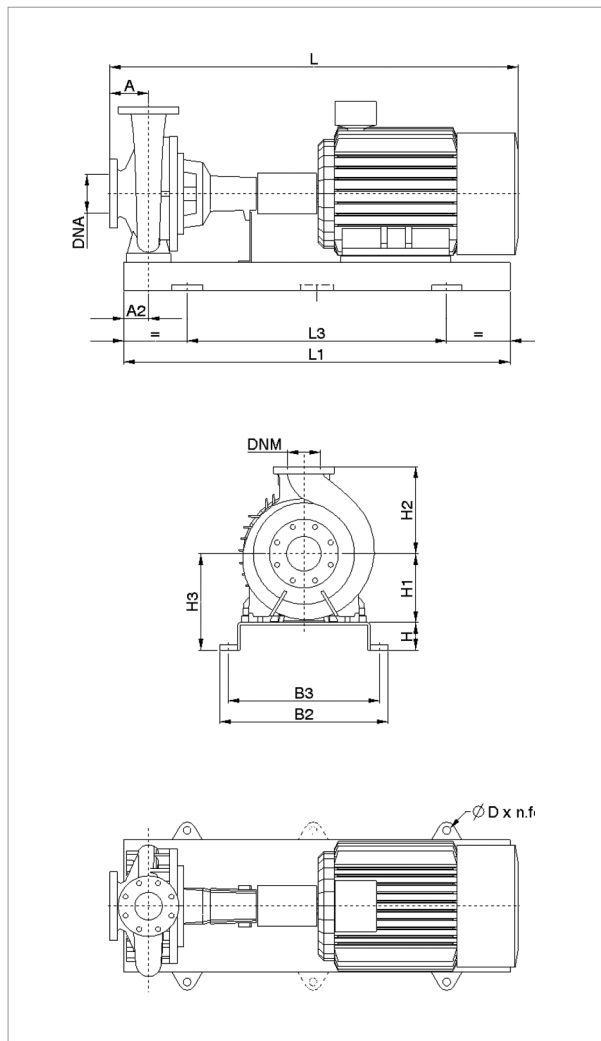
SELECTION TABLE - KDN 150

MODEL	Q=m ³ /h	0	2	4	6	8	10	12	16	20	24	40	60	80	100	120	130	150	180	200	260	280	300	400	450	500	600
	Q=l/min	0	33	67	100	133	167	200	267	333	400	667	1000	1333	1667	2000	2167	2500	3000	3333	4333	4667	5000	6667	7500	8334	10000
KDN 150-250 / 220	H (m)	54													54	53	53	53	53	53	53	52	51	47	45	43	
KDN 150-250 / 235		62													62	62	61	61	61	61	61	60	59	56	54	51	
KDN 150-250 / 250		72													72	72	72	72	72	72	72	71	71	68	67	64	56
KDN 150-250 / 264		87													87	87	86	86	86	86	86	85	85	83	81	79	74

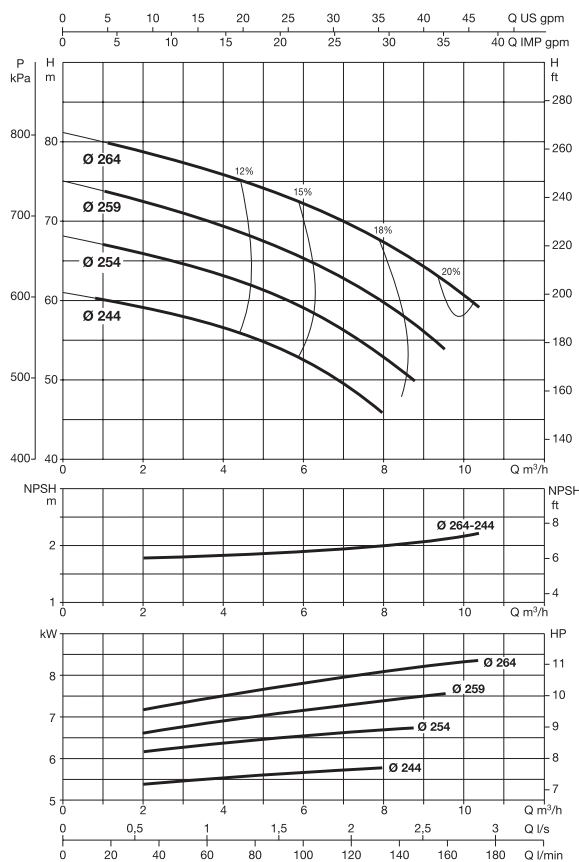
KDN 32-250A - 2 POLES - STANDARDISED CENTRIFUGAL ELECTRIC PUMPS FOR AIR CONDITIONING, REFRIGERATION, IRRIGATION, DECANTING, PRESSURISATION SYSTEMS, AND INDUSTRIAL APPLICATIONS

Pumped liquid temperature range: from -10 °C to +120°C - Maximum ambient temperature: +40°C

= 2900 1/min



* Only for markets outside the EU.



See hydraulic efficiency details on page 291.

The performance curves are based on kinematic viscosity values = 1 mm²/s and density equal to 1000 kg/m³. Curve tolerance according to ISO 9906.

MODEL	ELECTRICAL DATA					
	POWER (kW) 2 POLES	MOTOR SIZE	POWER INPUT 50 Hz	In A		MOTOR TYPE
				IE2	IE3	
KDN 32-250A	1.5	90S	3 x 230 - 400 V ~	5.80/3.35	-	IE2
	2.2	90L	3 x 230 - 400 V ~	8.23/4.75	-	IE2
	3	100L	3 x 400 V - Δ	5.85	-	IE2
	5.5	132S	3 x 400 V - Δ	10.40	-	IE2
	7.5	132S	3 x 400 V - Δ	14	13.4	IE2 / IE3
	11	160M	3 x 400 V - Δ	20.2	19.4	IE2 / IE3

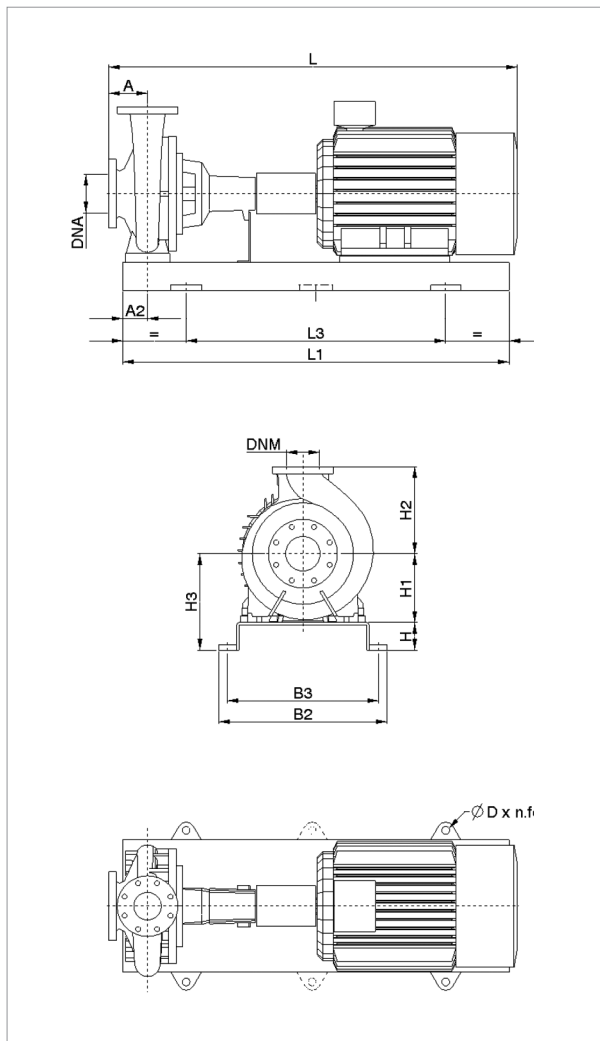
MODEL	POWER (kW)	UNIT DIMENSIONS (mm)											FLANGE DIMENSIONS (mm)		STANDARD COUPLING				SPACER COUPLING				REF.
		A	A2	H	H1	H2	H3	L1	L3	B2	B3	D	DNA	DNM	IE2		IE3		IE2		IE3		
															L	WEIGHT kg	L	WEIGHT kg	L	WEIGHT kg	L	WEIGHT kg	
KDN 32-250A	1.5	100	75	80	180	225	260	1000	660	450	400	24x4	50	32	924	140.2	-	-	1025	141.8	-	-	4
	2.2	100	75	80	180	225	260	1000	660	450	400	24x4	50	32	949	144.2	-	-	1050	145.8	-	-	4
	3	100	75	80	180	225	260	1000	660	450	400	24x4	50	32	989	154.2	-	-	1090	155.7	-	-	4
	5.5	100	75	80	180	225	260	1120	740	490	440	24x4	50	32	1074	194.3	-	-	1175	196.1	-	-	5
	7.5	100	75	80	180	225	260	1120	740	490	440	24x4	50	32	1074	198	1124	174	1175	217	1225	193	5
	11	100	75	80	180	225	260	1250	840	540	490	24x4	50	32	1219	259	1269	236	1320	274	1370	251	6

Dimension and electrical data based on sizing definition following the instructions on page 176.

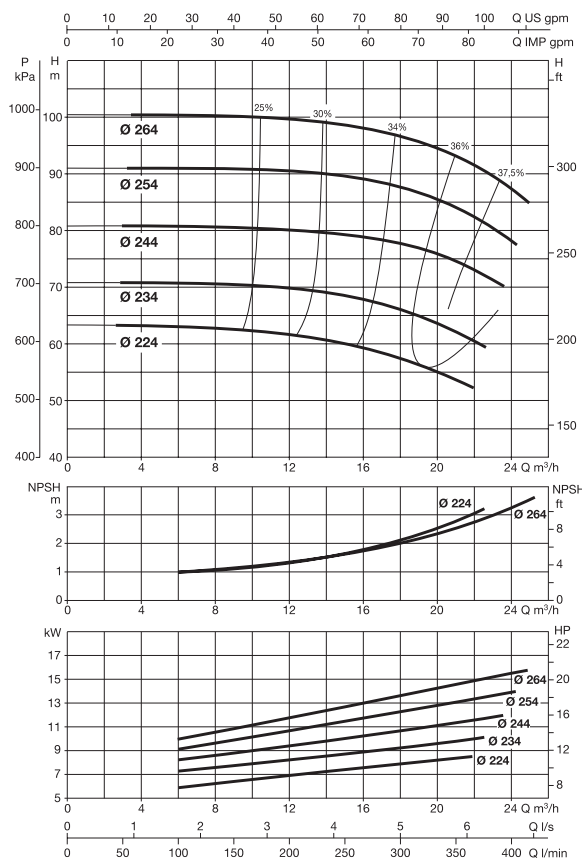
KDN 32-250 - 2 POLES - STANDARDISED CENTRIFUGAL ELECTRIC PUMPS FOR AIR CONDITIONING, REFRIGERATION, IRRIGATION, DECANTING, PRESSURISATION SYSTEMS, AND INDUSTRIAL APPLICATIONS

Pumped liquid temperature range: from -10 °C to +120°C - Maximum ambient temperature: +40°C

= 2900 1/min



* Only for markets outside the EU.



See hydraulic efficiency details on page 291.

The performance curves are based on kinematic viscosity values = 1 mm²/s and density equal to 1000 kg/m³. Curve tolerance according to ISO 9906.

MODEL	ELECTRICAL DATA					
	POWER (kW)	MOTOR SIZE	POWER INPUT 50 Hz	In A		MOTOR TYPE
	2 POLES			IE2	IE3	
KDN 32-250	1.5	90S	3 x 230 - 400 V ~	5.80/3.35	-	IE2
	2.2	90L	3 x 230 - 400 V ~	8.23/4.75	-	IE2
	3	100L	3 x 400 V - Δ	5.85	-	IE2
	5.5	132S	3 x 400 V - Δ	10.40	-	IE2
	7.5	132S	3 x 400 V - Δ	14	13.4	IE2 / IE3
	11	160M	3 x 400 V - Δ	20.2	19.4	IE2 / IE3
	15	160M	3 x 400 V - Δ	27	26.5	IE2 / IE3
	18.5	160L	3 x 400 V - Δ	33	32	IE2 / IE3

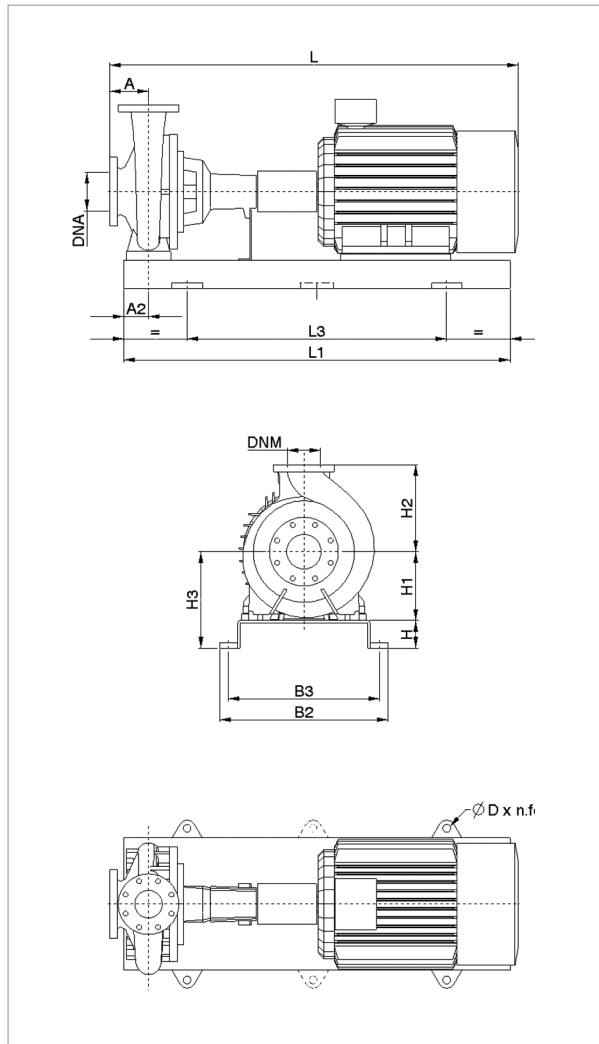
MODEL	POWER (kW)	UNIT DIMENSIONS (mm)											FLANGE DIMENSIONS (mm)		STANDARD COUPLING				SPACER COUPLING				REF.
		A	A2	H	H1	H2	H3	L1	L3	B2	B3	D	DNA	DNM	IE2		IE3		-		IE3		
		L	WEIGHT kg	L	WEIGHT kg	L	WEIGHT kg	L	WEIGHT kg	L	WEIGHT kg	L	WEIGHT kg	L	WEIGHT kg	L	WEIGHT kg	L	WEIGHT kg	L	WEIGHT kg		
KDN 32-250	1.5	100	75	80	180	225	260	1000	660	450	400	24x4	50	32	924	140.2	-	-	1025	141.8	-	-	4
	2.2	100	75	80	180	225	260	1000	660	450	400	24x4	50	32	949	144.2	-	-	1050	145.8	-	-	4
	3	100	75	80	180	225	260	1000	660	450	400	24x4	50	32	989	154.2	-	-	1090	155.7	-	-	4
	5.5	100	75	80	180	225	260	1120	740	490	440	24x4	50	32	1074	191	-	-	1175	191	-	-	5
	7.5	100	75	80	180	225	260	1120	740	490	440	24x4	50	32	1074	198	1124	174	1175	217	1225	193	5
	11	100	75	80	180	225	260	1250	840	540	490	24x4	50	32	1219	259	1269	236	1320	274	1370	251	6
	15	100	75	80	180	225	260	1250	840	540	490	24x4	50	32	1219	273	1269	246	1320	288	1370	261	6
	18.5	100	75	80	180	225	260	1250	840	540	490	24x4	50	32	1274	295	1324	263	1375	310	1425	278	6

Dimension and electrical data based on sizing definition following the instructions on page 176.

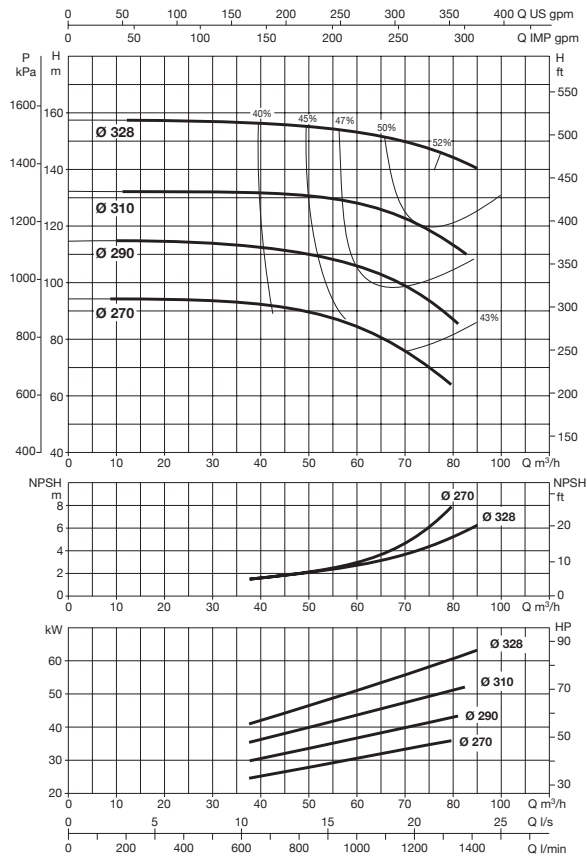
KDN 50-330 - 2 POLES - STANDARDISED CENTRIFUGAL ELECTRIC PUMPS FOR AIR CONDITIONING, REFRIGERATION, IRRIGATION, DECANTING, PRESSURISATION SYSTEMS, AND INDUSTRIAL APPLICATIONS

Pumped liquid temperature range: from -10 °C to +120°C - Maximum ambient temperature: +40°C

= 2900 1/min



* Only for markets outside the EU.



See hydraulic efficiency details on page 291.

The performance curves are based on kinematic viscosity values = 1 mm²/s and density equal to 1000 kg/m³. Curve tolerance according to ISO 9906.

MODEL	ELECTRICAL DATA					
	POWER (kW)	MOTOR SIZE	POWER INPUT 50 Hz	In A		MOTOR TYPE
	2 POLES			IE2	IE3	
KDN 50-330	22	180M	3 x 400 V - Δ	39.5	38	IE2 / IE3
	30	200L	3 x 400 V - Δ	52	52	IE2 / IE3
	37	200L	3 x 400 V - Δ	64	63	IE2 / IE3
	45	225M	3 x 400 V - Δ	78.5	76	IE2 / IE3
	55	250M	3 x 400 V - Δ	94	95	IE2 / IE3
	75	280S	3 x 400 V - Δ	130	124	IE2 / IE3
	90	280M	3 x 400 V - Δ	154	148	IE2 / IE3

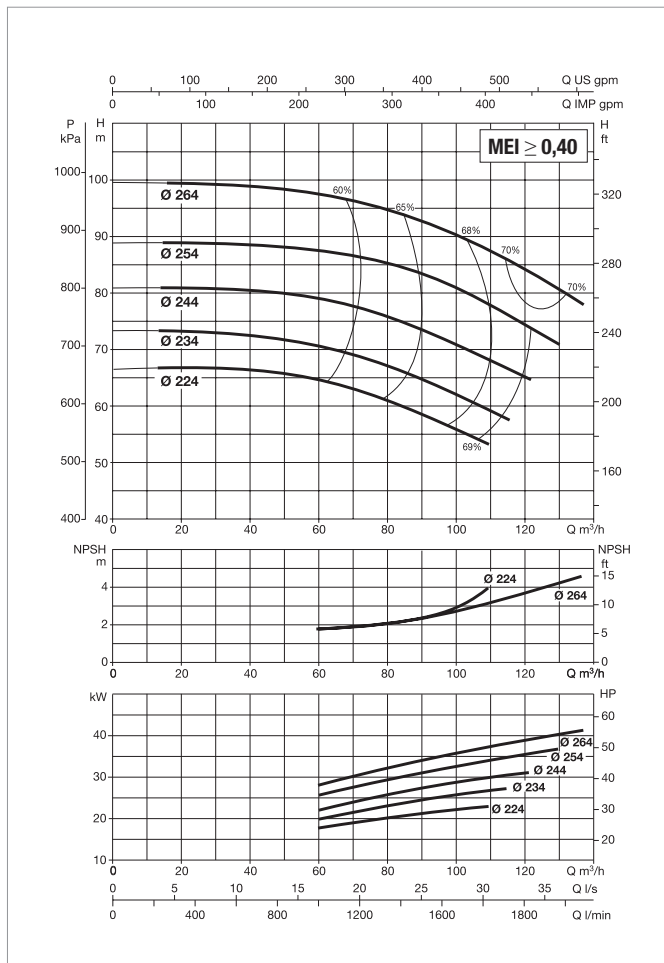
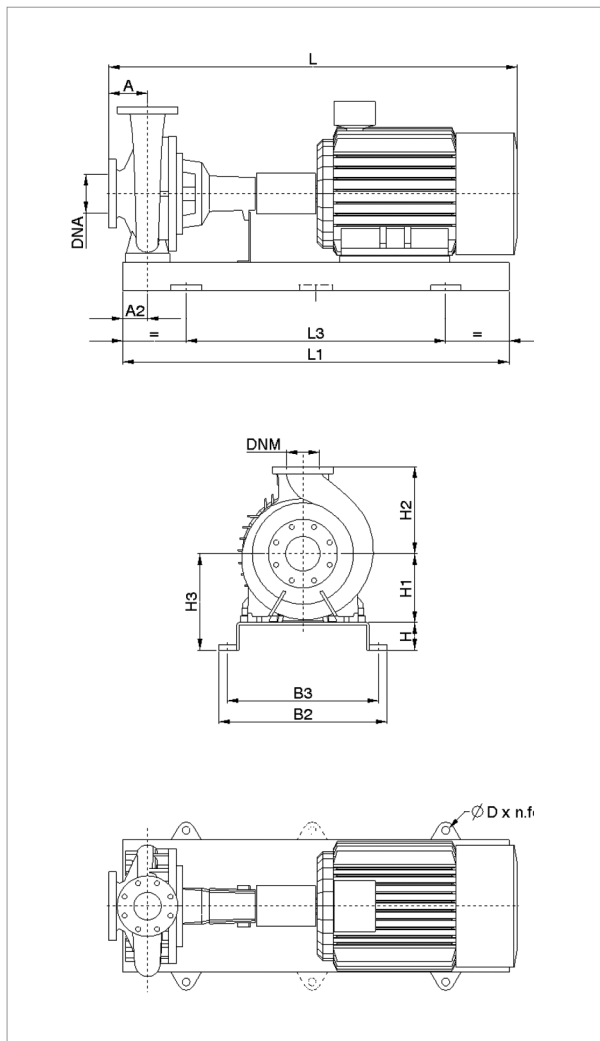
MODEL	POWER (kW)	UNIT DIMENSIONS (mm)											FLANGE DIMENSIONS (mm)		STANDARD COUPLING				SPACER COUPLING				REF.
		A	A2	H	H1	H2	H3	L1	L3	B2	B3	D	DNA	DNM	IE2		IE3		IE2		IE3		
		L	WEIGHT kg	L	WEIGHT kg	L	WEIGHT kg	L	WEIGHT kg	L	WEIGHT kg	L	WEIGHT kg	L	WEIGHT kg	L	WEIGHT kg	L	WEIGHT kg	L	WEIGHT kg		
KDN 50-330	22	125	75	80	225	280	305	1250	840	540	490	24x4	80	50	1319	364	1369	322	1420	379	1470	337	6
	30	125	75	100	225	280	325	1400	940	610	550	28x4	80	50	1399	429	1449	441	1500	444	1550	402	7
	37	125	75	100	225	280	325	1400	940	610	550	28x4	80	50	1399	446	1449	471	1500	461	1550	486	7
	45	125	75	100	225	280	325	1400	940	610	550	28x4	80	50	1474	502	1545	541	1575	517	1646	556	7
	55	125	75	100	250	280	350	1600	1060	660	600	28x4	80	50	1404	618	1475	663	1505	633	1576	678	8
	75	125	75	100	280	280	380	1800	1200	730	670	28x4	80	50	1599	841	1670	839	1700	856	1771	854	9
	90	125	75	100	280	280	380	1800	1200	730	670	28x4	80	50	1649	892	1720	874	1750	907	1821	889	9

Dimension and electrical data based on sizing definition following the instructions on page 176.

KDN 65-250 - 2 POLES - STANDARDISED CENTRIFUGAL ELECTRIC PUMPS FOR AIR CONDITIONING, REFRIGERATION, IRRIGATION, DECANTING, PRESSURISATION SYSTEMS, AND INDUSTRIAL APPLICATIONS

Pumped liquid temperature range: from -10 °C to +120°C - Maximum ambient temperature: +40°C

= 2900 1/min



See hydraulic efficiency details on page 291.

The performance curves are based on kinematic viscosity values = 1 mm²/s and density equal to 1000 kg/m³. Curve tolerance according to ISO 9906.

MODEL	ELECTRICAL DATA					
	POWER (kW) 2 POLES	MOTOR SIZE	POWER INPUT 50 Hz	In A		MOTOR TYPE
				IE2	IE3	
KDN 65-250	22	180M	3 x 400 V - Δ	39.5	38	IE2 / IE3
	30	200L	3 x 400 V - Δ	52	52	IE2 / IE3
	37	200L	3 x 400 V - Δ	64	63	IE2 / IE3
	45	225M	3 x 400 V - Δ	78.5	76	IE2 / IE3
	55	250M	3 x 400 V - Δ	94	95	IE2 / IE3

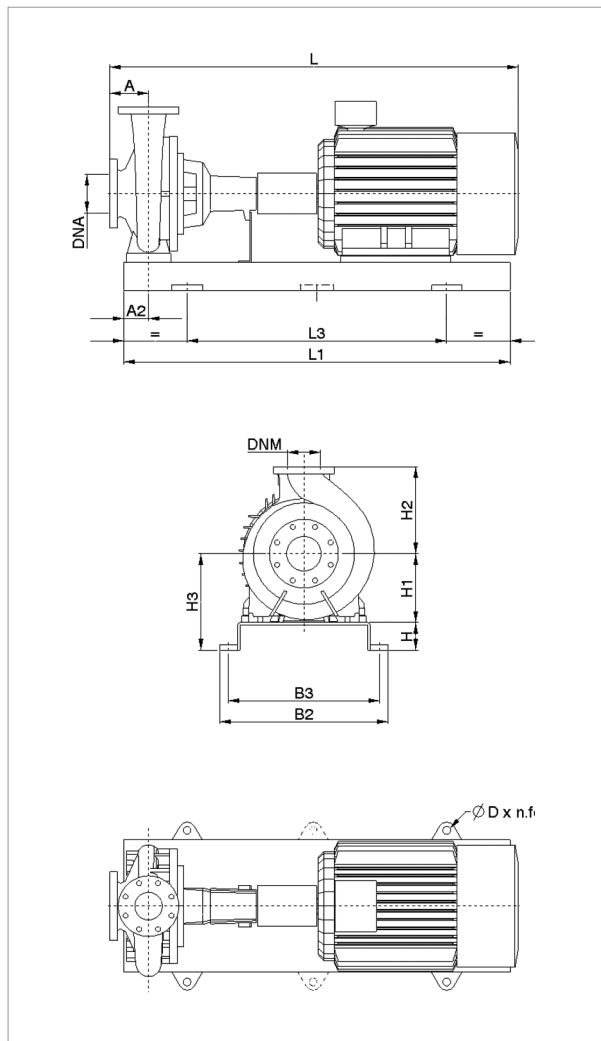
MODEL	POWER (kW)	UNIT DIMENSIONS (mm)											FLANGE DIMENSIONS (mm)		STANDARD COUPLING				SPACER COUPLING				REF.
		A	A2	H	H1	H2	H3	L1	L3	B2	B3	D	DNA	DNM	IE2		IE3		IE2		IE3		
															L	WEIGHT kg	L	WEIGHT kg	L	WEIGHT kg	L	WEIGHT kg	
KDN 65-250	22	125	90	80	200	250	280	1250	840	540	490	24x4	100	65	1319	336	1369	294	1460	351	1510	309	6
	30	125	90	100	200	250	300	1400	940	610	550	28x4	100	65	1399	401	1449	413	1540	416	1590	428	7
	37	125	90	100	200	250	300	1400	940	610	550	28x4	100	65	1399	418	1449	443	1540	433	1590	458	7
	45	125	90	100	225	250	325	1400	940	610	550	28x4	100	65	1474	474	1545	513	1615	489	1686	528	7
	55	125	90	100	250	250	350	1600	1060	660	600	28x4	100	65	1404	590	1475	635	1545	605	1616	650	8

Dimension and electrical data based on sizing definition following the instructions on page 176.

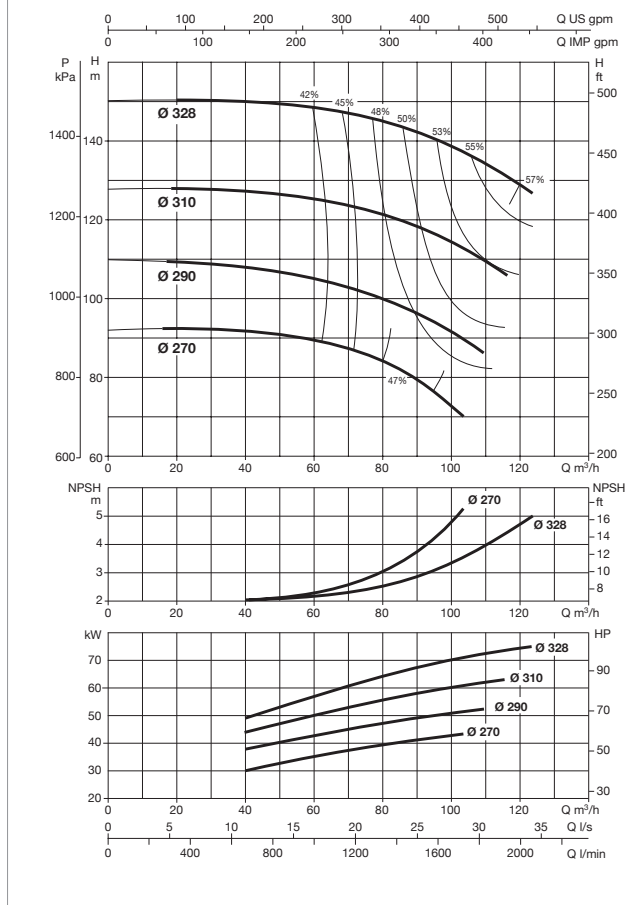
KDN 65-330 - 2 POLES - STANDARDISED CENTRIFUGAL ELECTRIC PUMPS FOR AIR CONDITIONING, REFRIGERATION, IRRIGATION, DECANTING, PRESSURISATION SYSTEMS, AND INDUSTRIAL APPLICATIONS

Pumped liquid temperature range: from -10 °C to +120°C - Maximum ambient temperature: +40°C

= 2900 1/min



* Only for markets outside the EU.



See hydraulic efficiency details on page 291.

The performance curves are based on kinematic viscosity values = 1 mm²/s and density equal to 1000 kg/m³. Curve tolerance according to ISO 9906.

MODEL	ELECTRICAL DATA					
	POWER (kW)	MOTOR SIZE	POWER INPUT 50 Hz	In A		MOTOR TYPE
	2 POLES			IE2	IE3	
KDN 65-330	22	180M	3 x 400 V - Δ	39.5	38	IE2 / IE3
	30	200L	3 x 400 V - Δ	52	52	IE2 / IE3
	37	200L	3 x 400 V - Δ	64	63	IE2 / IE3
	45	225M	3 x 400 V - Δ	78.5	76	IE2 / IE3
	55	250M	3 x 400 V - Δ	94	95	IE2 / IE3
	75	280S	3 x 400 V - Δ	130	124	IE2 / IE3
	90	280M	3 x 400 V - Δ	154	148	IE2 / IE3
	110	315S	3 x 400 V - Δ	188	184	IE2 / IE3

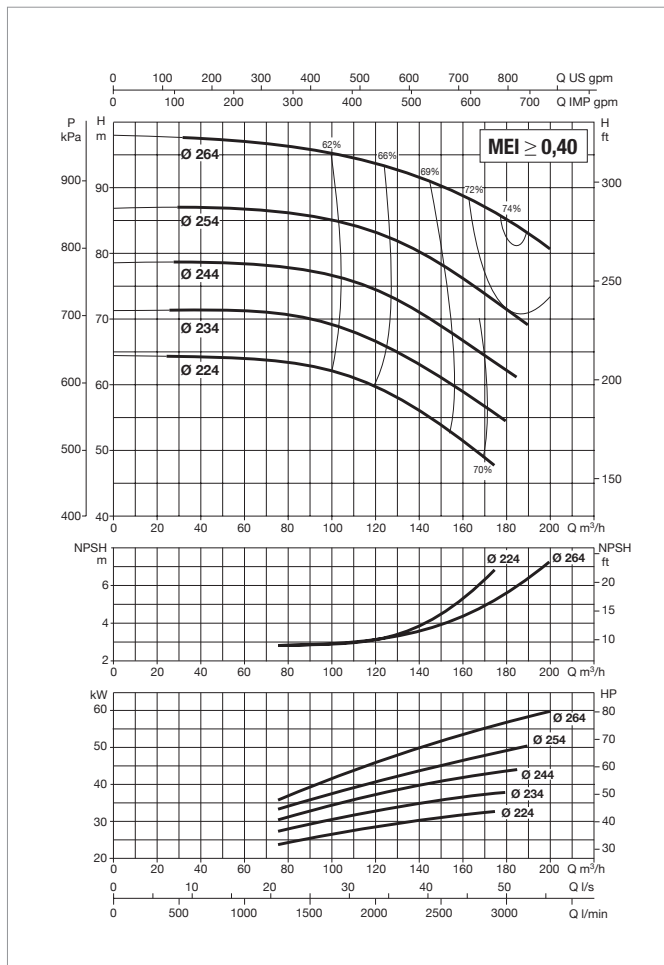
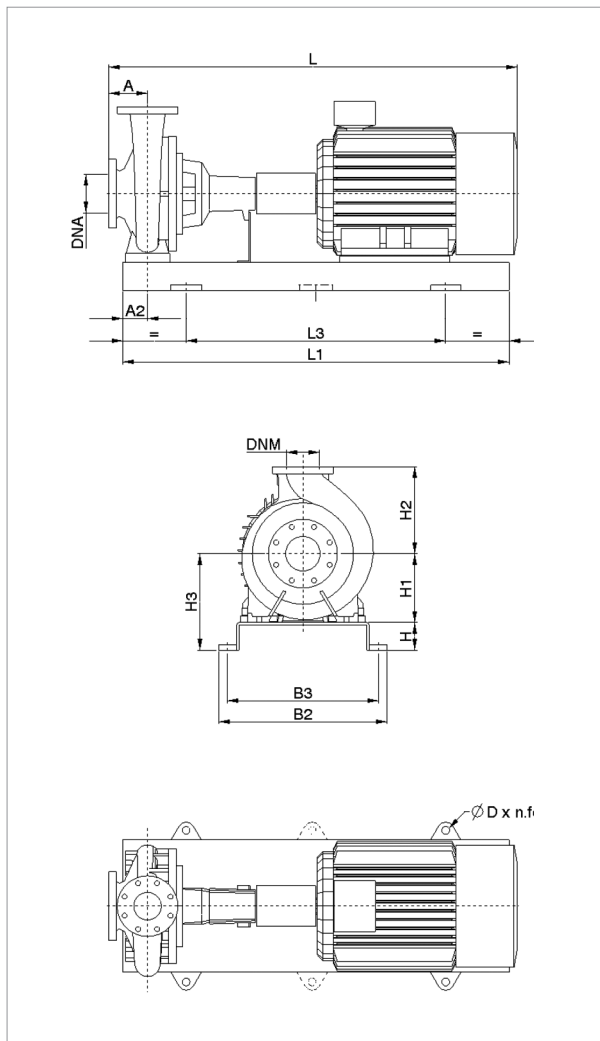
MODEL	POWER (kW)	UNIT DIMENSIONS (mm)											FLANGE DIMENSIONS (mm)		STANDARD COUPLING				SPACER COUPLING				REF.
		A	A2	H	H1	H2	H3	L1	L3	B2	B3	D	DNA	DNM	IE2		IE3		IE2		IE3		
		L	WEIGHT kg	L	WEIGHT kg	L	WEIGHT kg	L	WEIGHT kg	L	WEIGHT kg	L	WEIGHT kg	L	WEIGHT kg	L	WEIGHT kg	L	WEIGHT kg				
KDN 65-330	22	125	90	100	225	280	325	1400	940	610	550	28x4	100	65	1349	419	1399	377	1490	434	1540	392	7
	30	125	90	100	225	280	325	1400	940	610	550	28x4	100	65	1429	465	1479	477	1570	480	1620	492	7
	37	125	90	100	225	280	325	1400	940	610	550	28x4	100	65	1429	482	1479	507	1570	497	1620	522	7
	45	125	90	100	225	280	325	1600	1060	660	600	28x4	100	65	1504	555	1575	594	1645	570	1716	609	8
	55	125	90	100	250	280	350	1600	1060	660	600	28x4	100	65	1434	654	1505	699	1575	669	1646	714	8
	75	125	90	100	280	280	380	1800	1200	730	670	28x4	100	65	1629	894	1700	892	1770	909	1841	907	9
	90	125	90	100	280	280	380	1800	1200	730	670	28x4	100	65	1679	1014	1750	996	1820	1029	1891	1011	9
110	125	90	120	315	280	435	2000	1340	910	830	28x4	100	65	1899	1314	1987	1419	2040	1329	2128	1434	10	

Dimension and electrical data based on sizing definition following the instructions on page 176.

KDN 80-250 - 2 POLES - STANDARDISED CENTRIFUGAL ELECTRIC PUMPS FOR AIR CONDITIONING, REFRIGERATION, IRRIGATION, DECANTING, PRESSURISATION SYSTEMS, AND INDUSTRIAL APPLICATIONS

Pumped liquid temperature range: from -10 °C to +120°C - Maximum ambient temperature: +40°C

= 2900 1/min



See hydraulic efficiency details on page 291.

The performance curves are based on kinematic viscosity values = 1 mm²/s and density equal to 1000 kg/m³. Curve tolerance according to ISO 9906.

MODEL	ELECTRICAL DATA					
	POWER (kW)	MOTOR SIZE	POWER INPUT 50 Hz	In A		MOTOR TYPE
	2 POLES			IE2	IE3	
KDN 80-250	30	200L	3 x 400 V - Δ	52	52	IE2 / IE3
	37	200L	3 x 400 V - Δ	64	63	IE2 / IE3
	45	225M	3 x 400 V - Δ	78.5	76	IE2 / IE3
	55	250M	3 x 400 V - Δ	94	95	IE2 / IE3
	75	280S	3 x 400 V - Δ	130	124	IE2 / IE3
	90	280M	3 x 400 V - Δ	154	148	IE2 / IE3

MODEL	POWER (kW)	UNIT DIMENSIONS (mm)										FLANGE DIMENSIONS (mm)		STANDARD COUPLING				SPACER COUPLING				REF.	
		A	A2	H	H1	H2	H3	L1	L3	B2	B3	D	DNA	DNM	IE2		IE3		IE2		IE3		
		L	WEIGHT kg	L	WEIGHT kg	L	WEIGHT kg	L	WEIGHT kg	L	WEIGHT kg	L	WEIGHT kg	L	WEIGHT kg	L	WEIGHT kg	L	WEIGHT kg	L	WEIGHT kg		
KDN 80-250	30	125	90	100	225	280	325	1400	940	610	550	28x4	125	80	1399	413	1449	425	1540	428	1590	440	7
	37	125	90	100	225	280	325	1400	940	610	550	28x4	125	80	1399	430	1470	455	1540	445	1611	470	7
	45	125	90	100	225	280	325	1400	940	610	550	28x4	125	80	1474	486	1545	525	1615	501	1686	540	7
	55	125	90	100	250	280	350	1600	1060	660	600	28x4	125	80	1404	602	1475	647	1545	617	1616	662	8
	75	125	90	100	280	280	380	1800	1200	730	670	28x4	125	80	1599	842	1670	840	1740	857	1811	855	9
	90	125	90	100	280	280	380	1800	1200	730	670	28x4	125	80	1649	962	1720	944	1790	977	1861	959	9

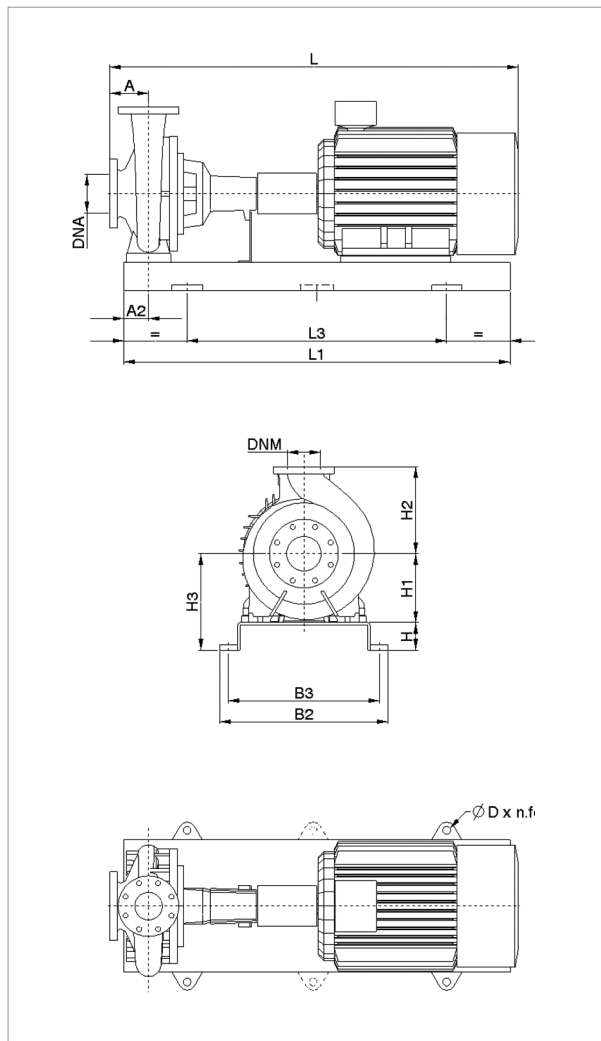
Dimension and electrical data based on sizing definition following the instructions on page 176.



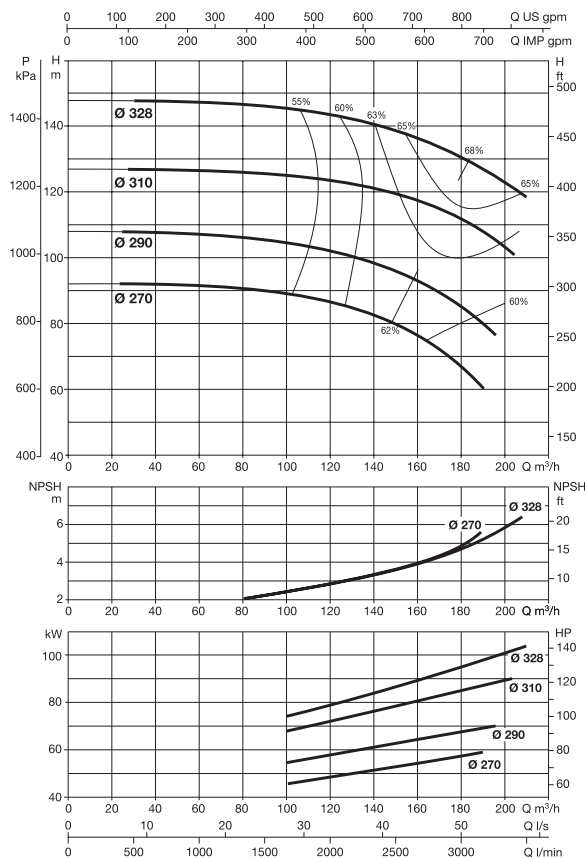
KDN 80-330 - 2 POLES - STANDARDISED CENTRIFUGAL ELECTRIC PUMPS FOR AIR CONDITIONING, REFRIGERATION, IRRIGATION, DECANTING, PRESSURISATION SYSTEMS, AND INDUSTRIAL APPLICATIONS

Pumped liquid temperature range: from -10 °C to +120°C - Maximum ambient temperature: +40°C

= 2900 1/min



* Only for markets outside the EU.



See hydraulic efficiency details on page 291.

The performance curves are based on kinematic viscosity values = 1 mm²/s and density equal to 1000 kg/m³. Curve tolerance according to ISO 9906.

MODEL	ELECTRICAL DATA					
	POWER (kW)	MOTOR SIZE	POWER INPUT 50 Hz	In A		MOTOR TYPE
	2 POLES			IE2	IE3	
KDN 80-330	30	200L	3 x 400 V - Δ	52	52	IE2 / IE3
	37	200L	3 x 400 V - Δ	64	63	IE2 / IE3
	45	225M	3 x 400 V - Δ	78.5	76	IE2 / IE3
	55	250M	3 x 400 V - Δ	94	95	IE2 / IE3
	75	280S	3 x 400 V - Δ	130	124	IE2 / IE3
	90	280M	3 x 400 V - Δ	154	148	IE2 / IE3
	110	315S	3 x 400 V - Δ	188	184	IE2 / IE3
	132	315M	3 x 400 V - Δ	220	220	IE2 / IE3
160	315L	3 x 400 V - Δ	265	265	IE2 / IE3	

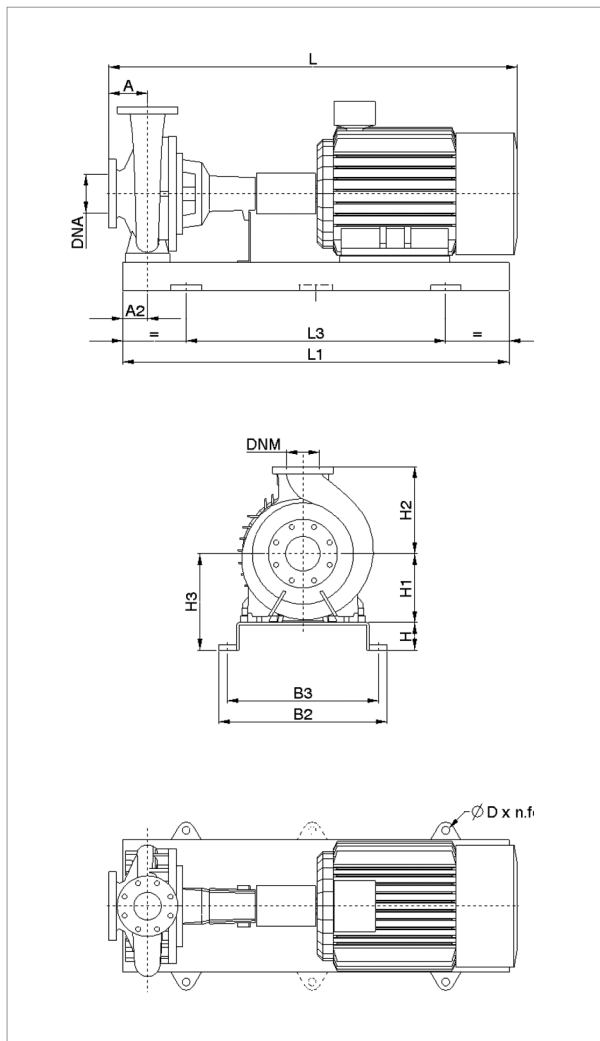
MODEL	POWER (kW)	UNIT DIMENSIONS (mm)											FLANGE DIMENSIONS (mm)		STANDARD COUPLING				SPACER COUPLING				REF.
		A	A2	H	H1	H2	H3	L1	L3	B2	B3	D	DNA	DNM	IE2		IE3		IE2		IE3		
		L	WEIGHT kg	L	WEIGHT kg	L	WEIGHT kg	L	WEIGHT kg	L	WEIGHT kg	L	WEIGHT kg	L	WEIGHT kg	L	WEIGHT kg	L	WEIGHT kg				
KDN 80-330	30	125	90	100	250	315	350	1400	940	610	550	28x4	125	80	1429	468	1479	480	1570	483	1620	495	7
	37	125	90	100	250	315	350	1400	940	610	550	28x4	125	80	1429	485	1500	510	1570	500	1641	525	7
	45	125	90	100	250	315	350	1600	1060	660	600	28x4	125	80	1504	558	1575	597	1645	573	1716	612	8
	55	125	90	100	250	315	350	1600	1060	660	600	28x4	125	80	1434	657	1505	702	1575	672	1646	717	8
	75	125	90	100	280	315	380	1800	1200	730	670	28x4	125	80	1629	897	1700	895	1770	912	1841	910	9
	90	125	90	100	280	315	380	1800	1200	730	670	28x4	125	80	1679	1017	1750	999	1820	1032	1891	1014	9
	110	125	90	120	315	315	435	2000	1340	910	830	28x4	125	80	1899	1317	1987	1422	2040	1332	2128	1437	10
	132	125	95	190	315	315	505	1550	1250	680	635	20x4	125	80	2039	1345	2127	1405	2180	1360	2268	1420	11
160	125	95	190	315	315	505	1550	1250	680	635	20x4	125	80	2039	1450	2127	1545	2180	1465	2268	1560	11	

Dimension and electrical data based on sizing definition following the instructions on page 176.

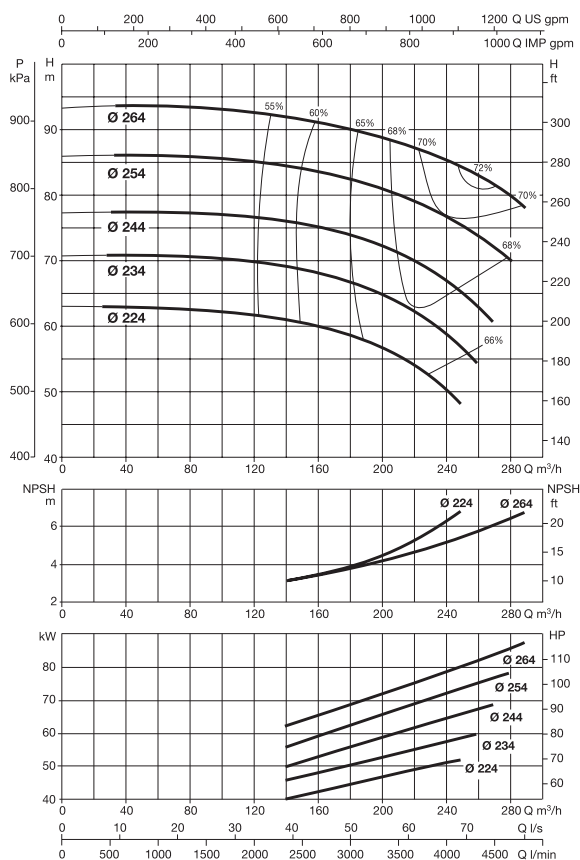
KDN 100-250 - 2 POLES - STANDARDISED CENTRIFUGAL ELECTRIC PUMPS FOR AIR CONDITIONING, REFRIGERATION, IRRIGATION, DECANTING, PRESSURISATION SYSTEMS, AND INDUSTRIAL APPLICATIONS

Pumped liquid temperature range: from -10 °C to +120°C - Maximum ambient temperature: +40°C

= 2900 1/min



* Only for markets outside the EU.



See hydraulic efficiency details on page 291.

The performance curves are based on kinematic viscosity values = 1 mm²/s and density equal to 1000 kg/m³. Curve tolerance according to ISO 9906.

MODEL	ELECTRICAL DATA					
	POWER (kW)	MOTOR SIZE	POWER INPUT 50 Hz	In A		MOTOR TYPE
	2 POLES			IE2	IE3	
KDN 100-250	30	200L	3 x 400 V - Δ	52	52	IE2 / IE3
	37	200L	3 x 400 V - Δ	64	63	IE2 / IE3
	45	225M	3 x 400 V - Δ	78.5	76	IE2 / IE3
	55	250M	3 x 400 V - Δ	94	95	IE2 / IE3
	75	280S	3 x 400 V - Δ	130	124	IE2 / IE3
	90	280M	3 x 400 V - Δ	154	148	IE2 / IE3
	110	315S	3 x 400 V - Δ	188	184	IE2 / IE3
132	315M	3 x 400 V - Δ	220	220	IE2 / IE3	

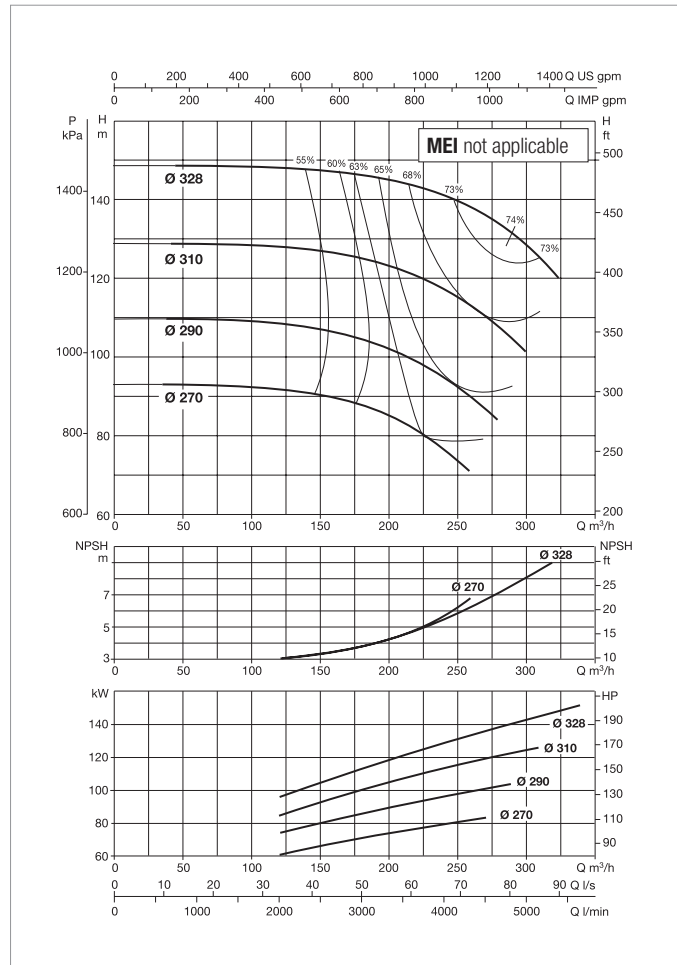
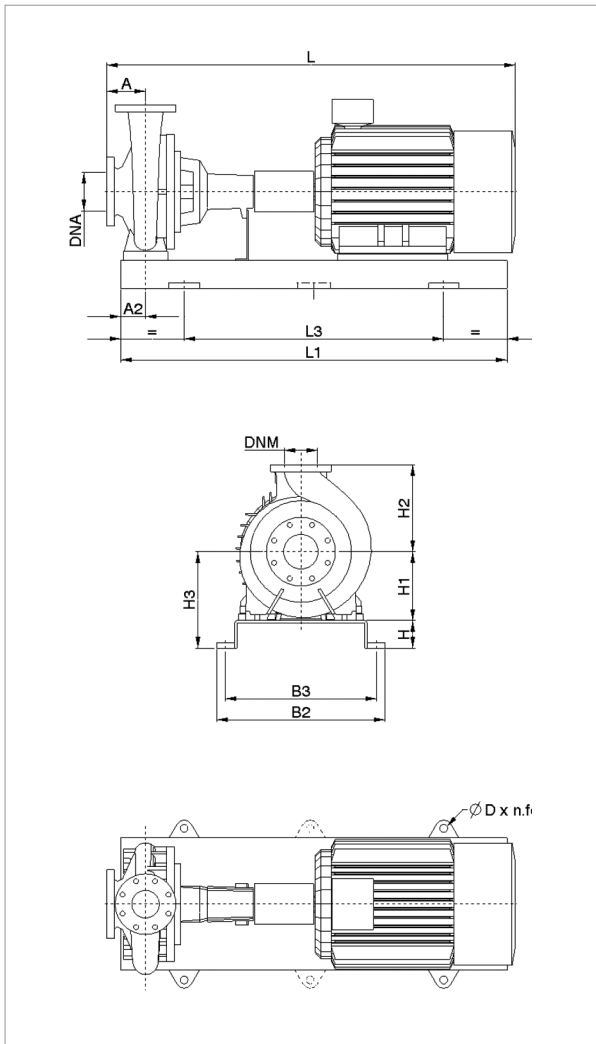
MODEL	POWER (kW)	UNIT DIMENSIONS (mm)										FLANGE DIMENSIONS (mm)		STANDARD COUPLING				SPACER COUPLING				REF.	
		A	A2	H	H1	H2	H3	L1	L3	B2	B3	D	DNA	DNM	IE2		IE3		IE2		IE3		
		L	WEIGHT kg	L	WEIGHT kg	L	WEIGHT kg	L	WEIGHT kg	L	WEIGHT kg	L	WEIGHT kg	L	WEIGHT kg	L	WEIGHT kg	L	WEIGHT kg	L	WEIGHT kg		
KDN 100-250	30	140	90	100	225	280	325	1400	940	610	550	28x4	125	100	1444	443	1494	455	1585	458	1635	470	7
	37	140	90	100	225	280	325	1400	940	610	550	28x4	125	100	1444	460	1515	485	1585	475	1656	500	7
	45	140	90	100	225	280	325	1600	1060	660	600	28x4	125	100	1519	533	1590	572	1660	548	1731	587	8
	55	140	90	100	250	280	350	1600	1060	660	600	28x4	125	100	1449	632	1520	677	1590	647	1661	692	8
	75	140	90	100	280	280	380	1800	1200	730	670	28x4	125	100	1644	872	1715	870	1785	887	1856	885	9
	90	140	90	100	280	280	380	1800	1200	730	670	28x4	125	100	1694	992	1765	974	1835	1007	1906	989	9
	110	140	90	120	315	280	435	2000	1340	910	830	28x4	125	100	1914	1292	2002	1397	2055	1307	2143	1412	10
132	140	110	165	315	280	480	1550	1250	680	635	20x4	125	100	2054	1320	2142	1380	2195	1335	2283	1395	11	

Dimension and electrical data based on sizing definition following the instructions on page 176.

KDN 100-330 - 2 POLES - STANDARDISED CENTRIFUGAL ELECTRIC PUMPS FOR AIR CONDITIONING, REFRIGERATION, IRRIGATION, DECANTING, PRESSURISATION SYSTEMS, AND INDUSTRIAL APPLICATIONS

Pumped liquid temperature range: from -10 °C to +120°C - Maximum ambient temperature: +40°C

= 2900 1/min



See hydraulic efficiency details on page 291.

The performance curves are based on kinematic viscosity values = 1 mm²/s and density equal to 1000 kg/m³. Curve tolerance according to ISO 9906.

MODEL	ELECTRICAL DATA					
	POWER (kW) 2 POLES	MOTOR SIZE	POWER INPUT 50 Hz	In A		MOTOR TYPE
				IE2	IE3	
KDN 100-330	45	225M	3 x 400 V ~ Δ	78.5	76	IE2 / IE3
	55	250M	3 x 400 V ~ Δ	94	95	IE2 / IE3
	75	280S	3 x 400 V ~ Δ	130	124	IE2 / IE3
	90	280M	3 x 400 V ~ Δ	154	148	IE2 / IE3
	110	315S	3 x 400 V ~ Δ	188	184	IE2 / IE3
	132	315M	3 x 400 V ~ Δ	220	220	IE2 / IE3
	160	315L	3 x 400 V ~ Δ	265	265	IE2 / IE3
200	315L	3 x 400 V ~ Δ	330	330	IE2 / IE3	

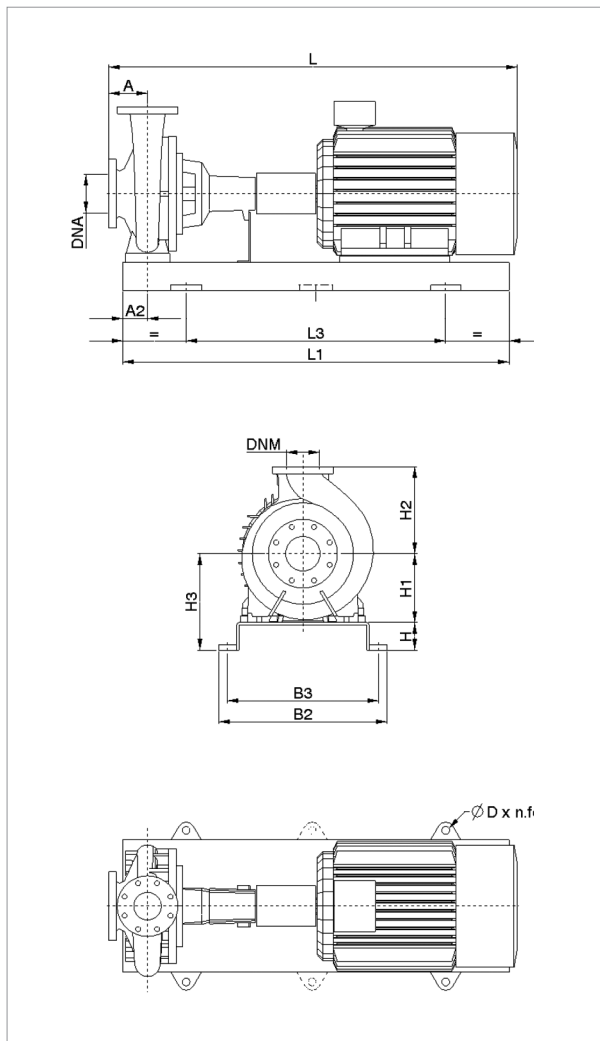
MODEL	POWER (kW)	UNIT DIMENSIONS (mm)										FLANGE DIMENSIONS (mm)		STANDARD COUPLING				SPACER COUPLING				REF.	
		A	A2	H	H1	H2	H3	L1	L3	B2	B3	D	DNA	DNM	IE2		IE3		IE2		IE3		
															L	WEIGHT kg	L	WEIGHT kg	L	WEIGHT kg	L		WEIGHT kg
KDN 100-330	45	140	90	100	250	315	350	1600	1060	660	600	28x4	125	100	1519	573	1590	612	1660	588	1731	627	8
	55	140	90	100	250	315	350	1600	1060	660	600	28x4	125	100	1449	672	1520	717	1590	687	1661	732	8
	75	140	90	100	280	315	380	1800	1200	730	670	28x4	125	100	1644	912	1715	910	1785	927	1856	925	9
	90	140	90	100	280	315	380	1800	1200	730	670	28x4	125	100	1694	1032	1765	1014	1835	1047	1906	1029	9
	110	140	90	120	315	315	435	2000	1340	910	830	28x4	125	100	1914	1332	2002	1437	2055	1347	2143	1452	10
	132	140	95	190	315	315	505	1550	1250	680	635	20x4	125	100	2054	1360	2142	1420	2195	1375	2283	1435	11
	160	140	95	190	315	315	505	1550	1250	680	635	20x4	125	100	2054	1465	2142	1560	2195	1480	2283	1575	11
200	140	95	190	315	315	505	1550	1250	680	635	20x4	125	100	2054	1505	2142	1600	2195	1520	2283	1615	11	

Dimension and electrical data based on sizing definition following the instructions on page 176.

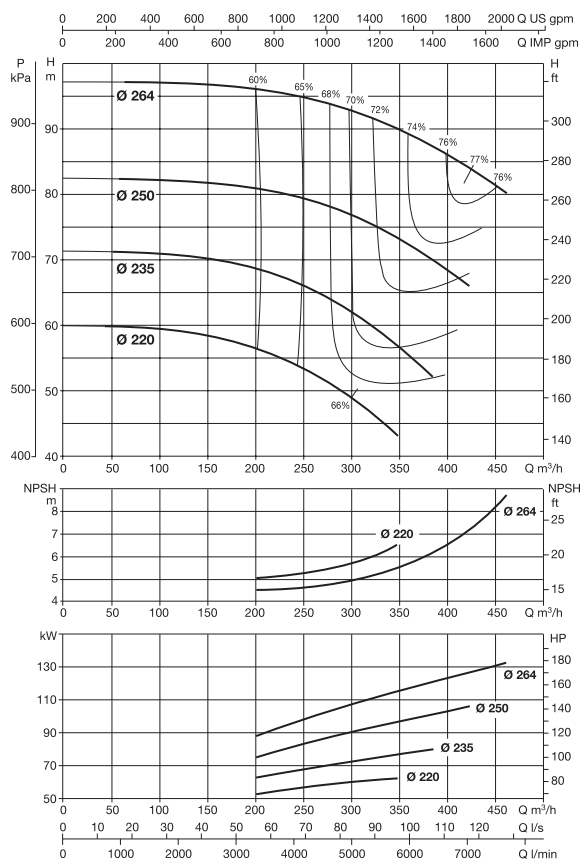
KDN 125-250 - 2 POLES - STANDARDISED CENTRIFUGAL ELECTRIC PUMPS FOR AIR CONDITIONING, REFRIGERATION, IRRIGATION, DECANTING, PRESSURISATION SYSTEMS, AND INDUSTRIAL APPLICATIONS

Pumped liquid temperature range: from -10 °C to +120°C - Maximum ambient temperature: +40°C

= 2900 1/min



* Only for markets outside the EU.



See hydraulic efficiency details on page 291.

The performance curves are based on kinematic viscosity values = 1 mm²/s and density equal to 1000 kg/m³. Curve tolerance according to ISO 9906.

MODEL	ELECTRICAL DATA					
	POWER (kW) 2 POLES	MOTOR SIZE	POWER INPUT 50 Hz	In A		MOTOR TYPE
				IE2	IE3	
KDN 125-250	55	250M	3 x 400 V - Δ	94	95	IE2 / IE3
	75	280S	3 x 400 V - Δ	130	124	IE2 / IE3
	90	280M	3 x 400 V - Δ	154	148	IE2 / IE3
	110	315S	3 x 400 V - Δ	188	184	IE2 / IE3
	132	315M	3 x 400 V - Δ	220	220	IE2 / IE3
	160	315L	3 x 400 V - Δ	265	265	IE2 / IE3

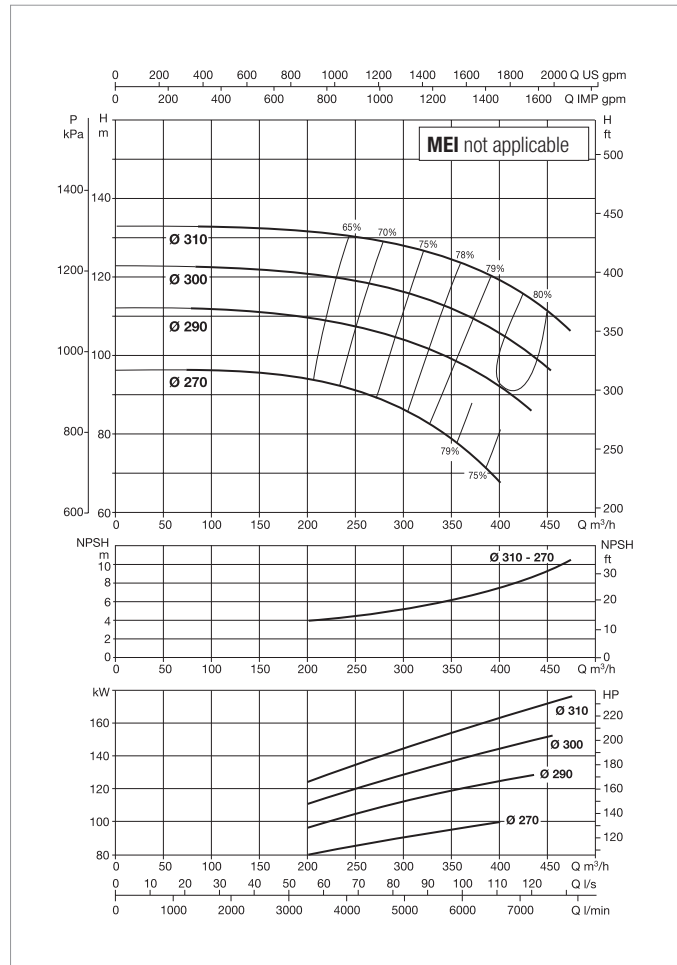
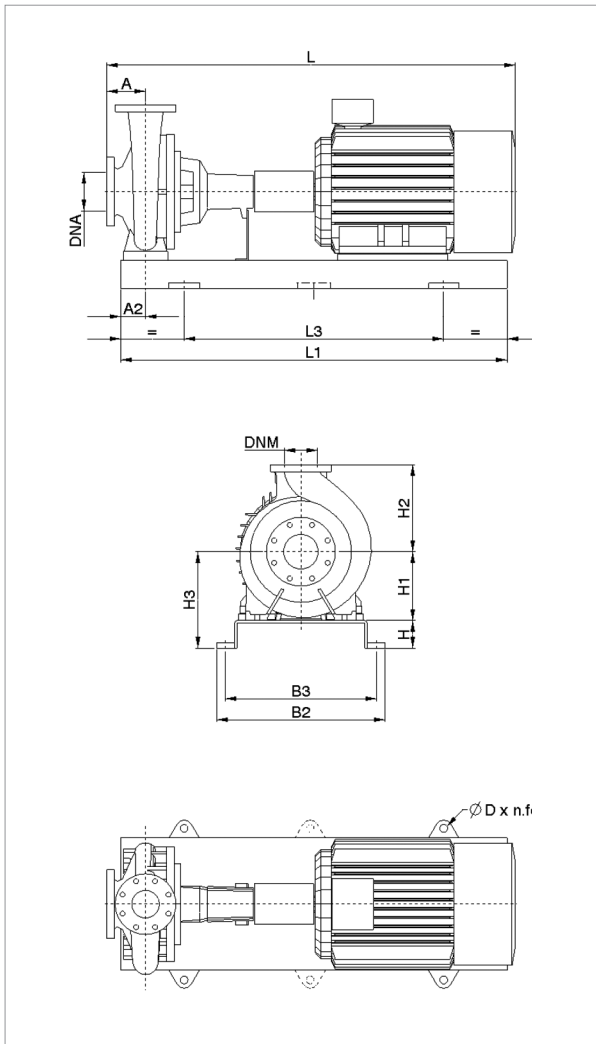
MODEL	POWER (kW)	UNIT DIMENSIONS (mm)										FLANGE DIMENSIONS (mm)		STANDARD COUPLING				SPACER COUPLING				REF.	
		A	A2	H	H1	H2	H3	L1	L3	B2	B3	D	DNA	DNM	IE2		IE3		IE2		IE3		
															L	WEIGHT kg	L	WEIGHT kg	L	WEIGHT kg	L		WEIGHT kg
KDN 125-250	55	140	90	100	250	355	350	1600	1060	660	600	28x4	150	125	1449	642	1520	687	1590	657	1661	702	8
	75	140	90	100	280	355	380	1800	1200	730	670	28x4	150	125	1644	882	1715	880	1785	897	1856	895	9
	90	140	90	100	280	355	380	1800	1200	730	670	28x4	150	125	1694	1002	1765	984	1835	1017	1906	999	9
	110	140	90	120	315	355	435	2000	1340	910	830	28x4	150	125	1914	1302	2002	1407	2055	1317	2143	1422	10
	132	140	95	190	315	355	505	1550	1250	680	635	20x4	150	125	2054	1330	2142	1390	2195	1345	2283	1405	11
	160	140	95	190	315	355	505	1550	1250	680	635	20x4	150	125	2054	1435	2142	1530	2195	1450	2283	1545	11

Dimension and electrical data based on sizing definition following the instructions on page 176.

KDN 125-330 - 2 POLES - STANDARDISED CENTRIFUGAL ELECTRIC PUMPS FOR AIR CONDITIONING, REFRIGERATION, IRRIGATION, DECANTING, PRESSURISATION SYSTEMS, AND INDUSTRIAL APPLICATIONS

Pumped liquid temperature range: from -10 °C to +120°C - Maximum ambient temperature: +40°C

= 2900 1/min



See hydraulic efficiency details on page 291.

The performance curves are based on kinematic viscosity values = 1 mm²/s and density equal to 1000 kg/m³. Curve tolerance according to ISO 9906.

MODEL	ELECTRICAL DATA					
	POWER (kW)	MOTOR SIZE	POWER INPUT 50 Hz	In A		MOTOR TYPE
				IE2	IE3	
KDN 125-330	75	280S	3 x 400 V - Δ	130	124	IE2 / IE3
	90	280M	3 x 400 V - Δ	154	148	IE2 / IE3
	110	315S	3 x 400 V - Δ	188	184	IE2 / IE3
	132	315M	3 x 400 V - Δ	220	220	IE2 / IE3
	160	315L	3 x 400 V - Δ	265	265	IE2 / IE3
	200	315L	3 x 400 V - Δ	330	330	IE2 / IE3

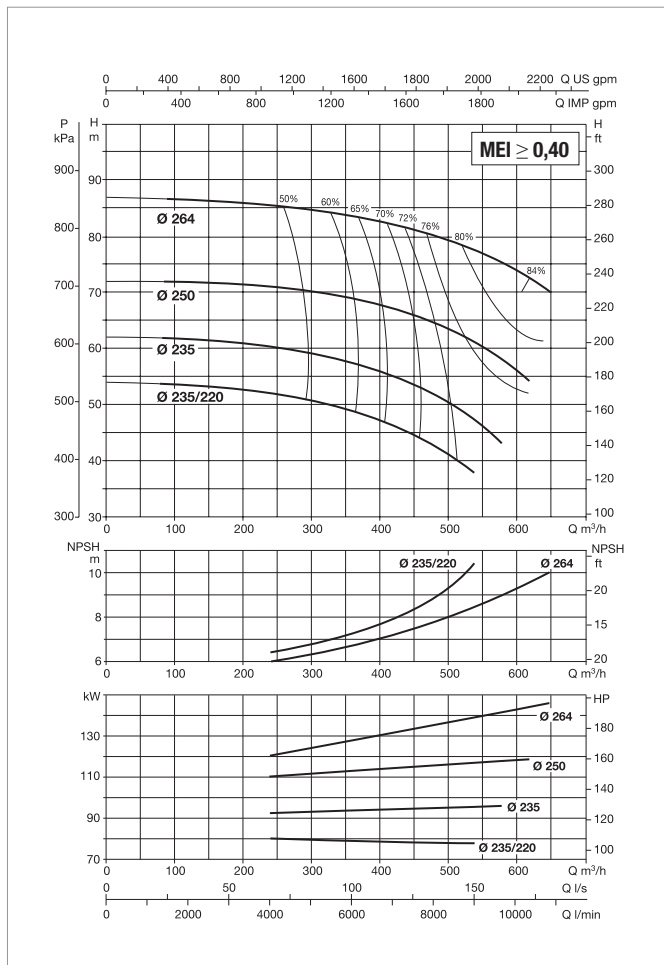
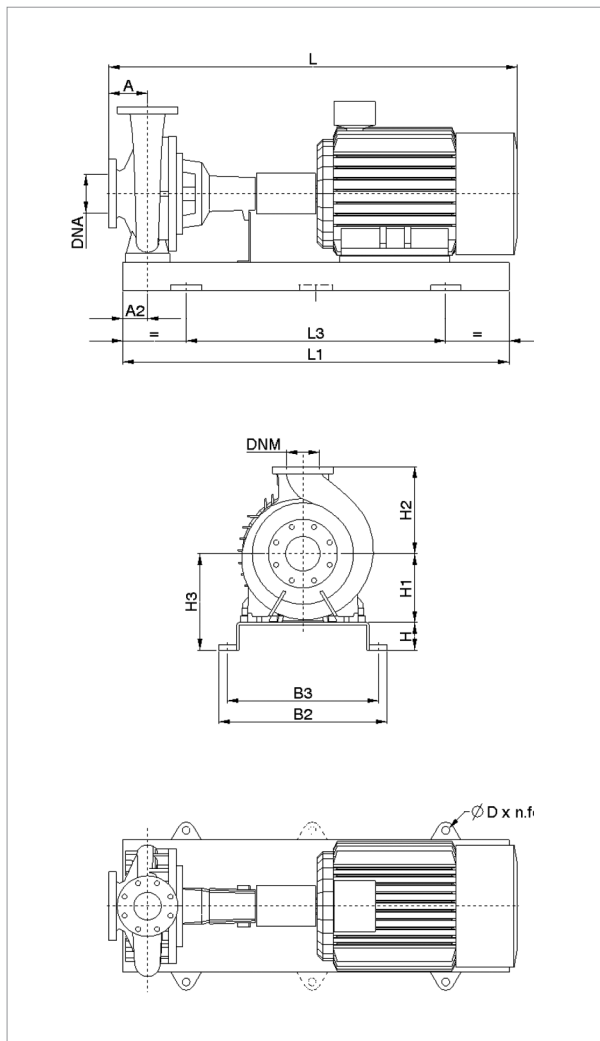
MODEL	POWER (kW)	UNIT DIMENSIONS (mm)											FLANGE DIMENSIONS (mm)		STANDARD COUPLING				SPACER COUPLING				REF.
		A	A2	H	H1	H2	H3	L1	L3	B2	B3	D	DNA	DNM	IE2		IE3		IE2		IE3		
															L	WEIGHT kg	L	WEIGHT kg	L	WEIGHT kg	L	WEIGHT kg	
KDN 125-330	75	140	110	100	280	355	380	1800	1200	730	670	28x4	150	125	1644	932	1715	930	1785	947	1856	945	9
	90	140	110	100	280	355	380	1800	1200	730	670	28x4	150	125	1694	1052	1765	1034	1835	1067	1906	1049	9
	110	140	110	120	315	355	435	2000	1340	910	830	28x4	150	125	1914	1352	2002	1457	2055	1367	2143	1472	10
	132	140	115	220	315	355	535	1570	1270	680	635	20x4	150	125	2054	1420	2142	1480	2195	1435	2283	1495	12
	160	140	115	220	315	355	535	1570	1270	680	635	20x4	150	125	2054	1525	2142	1620	2195	1540	2283	1635	12
	200	140	115	220	315	355	535	1570	1270	680	635	20x4	150	125	2054	1565	2142	1660	2195	1580	2283	1675	12

Dimension and electrical data based on sizing definition following the instructions on page 176.

KDN 150-250 - 2 POLES - STANDARDISED CENTRIFUGAL ELECTRIC PUMPS FOR AIR CONDITIONING, REFRIGERATION, IRRIGATION, DECANTING, PRESSURISATION SYSTEMS, AND INDUSTRIAL APPLICATIONS

Pumped liquid temperature range: from -10 °C to +120°C - Maximum ambient temperature: +40°C

= 2900 1/min



See hydraulic efficiency details on page 291.

The performance curves are based on kinematic viscosity values = 1 mm²/s and density equal to 1000 kg/m³. Curve tolerance according to ISO 9906.

MODEL	ELECTRICAL DATA					
	POWER (kW) 2 POLES	MOTOR SIZE	POWER INPUT 50 Hz	In A		MOTOR TYPE
				IE2	IE3	
KDN 150-250	75	280S	3 x 400 V - Δ	130	124	IE2 / IE3
	90	280M	3 x 400 V - Δ	154	148	IE2 / IE3
	110	315S	3 x 400 V - Δ	188	184	IE2 / IE3
	132	315M	3 x 400 V - Δ	220	220	IE2 / IE3
	160	315L	3 x 400 V - Δ	265	265	IE2 / IE3
	200	315L	3 x 400 V - Δ	330	330	IE2 / IE3

MODEL	POWER (kW)	UNIT DIMENSIONS (mm)											FLANGE DIMENSIONS (mm)		STANDARD COUPLING				SPACER COUPLING				REF.
		A	A2	H	H1	H2	H3	L1	L3	B2	B3	D	DNA	DNM	IE2		IE3		IE2		IE3		
															L	WEIGHT kg	L	WEIGHT kg	L	WEIGHT kg	L	WEIGHT kg	
KDN 150-250	75	160	110	100	280	375	380	1800	1200	730	670	28x4	200	150	1664	922	1735	920	1845	937	1916	935	9
	90	160	110	100	280	375	380	1800	1200	730	670	28x4	200	150	1714	1042	1785	1024	1895	1057	1966	1039	9
	110	160	110	120	315	375	435	2000	1340	910	830	28x4	200	150	1934	1342	2022	1447	2115	1357	2203	1462	10
	132	160	115	220	315	375	535	1570	1270	680	635	20x4	200	150	2074	1410	2162	1470	2255	1425	2343	1485	12
	160	160	115	220	315	375	535	1570	1270	680	635	20x4	200	150	2074	1515	2162	1610	2255	1530	2343	1625	12
	200	160	115	220	315	375	535	1570	1270	680	635	20x4	200	150	2074	1555	2162	1650	2255	1570	2343	1665	12

Dimension and electrical data based on sizing definition following the instructions on page 176.



KDN OVERSIZE - 2 POLES

STANDARDISED CENTRIFUGAL ELECTRIC PUMPS

IE2 STANDARD MOTOR ELECTRIC DATA

=2900 1/min

MOTOR TYPE	P2 NOMINAL kW	SPEED rpm	YIELD %	POWER FACTOR COS φ	POWER INPUT 50 Hz	In A		Start-up current Ia/In	Start-up torque Ma/Mn	Maximum torque M/k/ Mn	POLES
						230	400				
MEC 71	0.25	2790	69.81	0.778	3 x 230/400	1.15	0.67	5.06	2.90	3.01	2
MEC 71	0.37	2820	72.79	0.783	3 x 230/400	1.61	0.93	5.40	2.69	2.99	2
MEC 80	0.55	2810	76.97	0.800	3 x 230/400	2.23	1.29	6.41	3.43	3.13	2
MEC 80	0.75	2880	81.52	0.823	3 x 230/400	2.81	1.62	7.93	3.47	3.33	2
MEC 80	1.10	2870	81.82	0.826	3 x 230/400	4.07	2.36	7.92	3.42	3.25	2
MEC 90S	1.50	2880	82.95	0.794	3 x 230/400	5.80	3.35	8.85	4.18	3.80	2
MEC 90L	2.20	2870	83.41	0.811	3 x 230/400	8.23	4.75	8.31	3.87	1.87	2

MOTOR TYPE	P2 NOMINAL kW	SPEED rpm	YIELD %	POWER FACTOR COS φ	POWER INPUT 50 Hz	In A		Start-up current Ia/In	Start-up torque Ma/Mn	Maximum torque M/k/ Mn	POLES
						400	690				
MEC 100L	3.00	2880	86.25	0.861	3 x 400 Δ	5.85	3.40	8.93	3.17	3.70	2
MEC 112M	4.00	2910	87.10	0.856	3 x 400 Δ	8.05	4.65	9.14	2.99	3.53	2
MEC 132S	5.50	2910	88.40	0.873	3 x 400 Δ	10.40	6.00	7.77	2.53	3.26	2
MEC 132S	7.50	2900	88.40	0.882	3 x 400 Δ	14.00	8.08	7.62	2.34	3.11	2
MEC 160M	11.00	2930	89.82	0.890	3 x 400 Δ	20.20	11.66	6.24	2.16	2.79	2
MEC 160M	15.00	2940	90.46	0.890	3 x 400 Δ	27.00	15.59	7.03	2.57	3.02	2
MEC 160L	18.50	2940	91.49	0.893	3 x 400 Δ	33.00	19.05	7.27	2.69	3.21	2
MEC 180M	22.00	2960	92.05	0.875	3 x 400 Δ	39.50	23.00	8.33	2.80	3.43	2
MEC 200L	30.00	2950	92.50	0.899	3 x 400 Δ	52.00	30.02	7.79	2.37	3.06	2
MEC 200L	37.00	2960	92.90	0.897	3 x 400 Δ	64.00	36.95	7.62	2.50	3.22	2
MEC 225M	45.00	2960	92.94	0.901	3 x 400 Δ	78.50	45.32	6.73	2.40	2.85	2
MEC 250M	55.00	2970	93.97	0.900	3 x 400 Δ	94.00	54.50	8.33	2.42	3.04	2
MEC 280S	75.00	2980	94.12	0.895	3 x 400 Δ	130.00	74.50	7.73	2.36	3.21	2
MEC 280M	90.00	2980	94.51	0.918	3 x 400 Δ	154.00	89.00	7.97	2.80	3.44	2
MEC 315S	110.00	2980	94.53	0.893	3 x 400 Δ	188.00	110.00	8.06	2.53	3.53	2
MEC 315M	132.00	2970	94.80	0.923	3 x 400 Δ	220.00	130.00	6.18	2.14	2.77	2
MEC 315L	160.00	2970	94.80	0.926	3 x 400 Δ	265.00	155.00	5.96	2.12	2.65	2
MEC 315L	200.00	2970	95.20	0.925	3 x 400 Δ	330.00	190.00	5.78	2.10	2.55	2
MEC355M	250.00	2980	96.04	0.897	3 x 400 Δ	418.50	242.60	7.84	2.37	3.77	2
MEC355L	315.00	2980	96.43	0.903	3 x 400 Δ	521.50	302.30	7.96	2.36	3.81	2

KDN OVERSIZE - 2 POLES

STANDARDISED CENTRIFUGAL ELECTRIC PUMPS

IE3 STANDARD MOTOR ELECTRIC DATA

=2900 1/min

MOTOR TYPE	P2 NOMINAL kW	SPEED rpm	YIELD %	POWER FACTOR COS φ	POWER INPUT 50 Hz	In A		Start-up current Ia/In	Start-up torque Ma/Mn	Maximum torque M/k/Mn	POLES
						400	690				
MEC 132S	7.50	2920	90.10	0.900	3 x 400 Δ	13.40	7.75	8.50	2.20	3.20	2
MEC 160M	11.00	2940	91.20	0.900	3 x 400 Δ	19.40	11.21	7.60	2.40	3.30	2
MEC 160M	15.00	2920	91.30	0.900	3 x 400 Δ	26.50	15.32	7.70	2.60	3.30	2
MEC 160L	18.50	2920	92.40	0.910	3 x 400 Δ	32.00	18.50	8.20	2.80	3.40	2
MEC 180M	22.00	2950	92.70	0.910	3 x 400 Δ	38.00	21.97	8.70	2.60	3.90	2
MEC 200L	30.00	2960	93.30	0.890	3 x 400 Δ	52.00	30.06	9.00	3.00	3.90	2
MEC 200L	37.00	2960	93.70	0.910	3 x 400 Δ	63.00	36.42	9.00	3.10	3.90	2
MEC 225M	45.00	2960	94.00	0.910	3 x 400 Δ	76.00	43.93	8.30	2.50	3.60	2
MEC 250M	55.00	2970	94.30	0.890	3 x 400 Δ	95.00	54.91	7.20	2.30	3.60	2
MEC 280S	75.00	2970	94.70	0.920	3 x 400 Δ	124.00	71.68	8.00	2.40	3.30	2
MEC 280M	90.00	2970	95.00	0.920	3 x 400 Δ	148.00	85.55	8.10	2.50	3.30	2
MEC 315S	110.00	2980	95.20	0.910	3 x 400 Δ	184.00	106.36	6.70	1.80	3.10	2
MEC 315M	132.00	2980	95.40	0.920	3 x 400 Δ	220.00	127.17	6.50	1.80	2.90	2
MEC 315L	160.00	2980	95.60	0.920	3 x 400 Δ	265.00	153.18	6.60	1.90	2.80	2
MEC 315L	200.00	2980	95.80	0.920	3 x 400 Δ	330.00	190.75	6.10	1.80	2.60	2
MEC 355M	250.00	2980	95.80	0.920	3 x 400 Δ	410.00	236.99	6.90	2.00	2.90	2
MEC 355L	315.00	2980	95.80	0.920	3 x 400 Δ	520.00	300.58	5.70	1.70	2.40	2

KDN OVERSIZE - 4 POLE RANGE

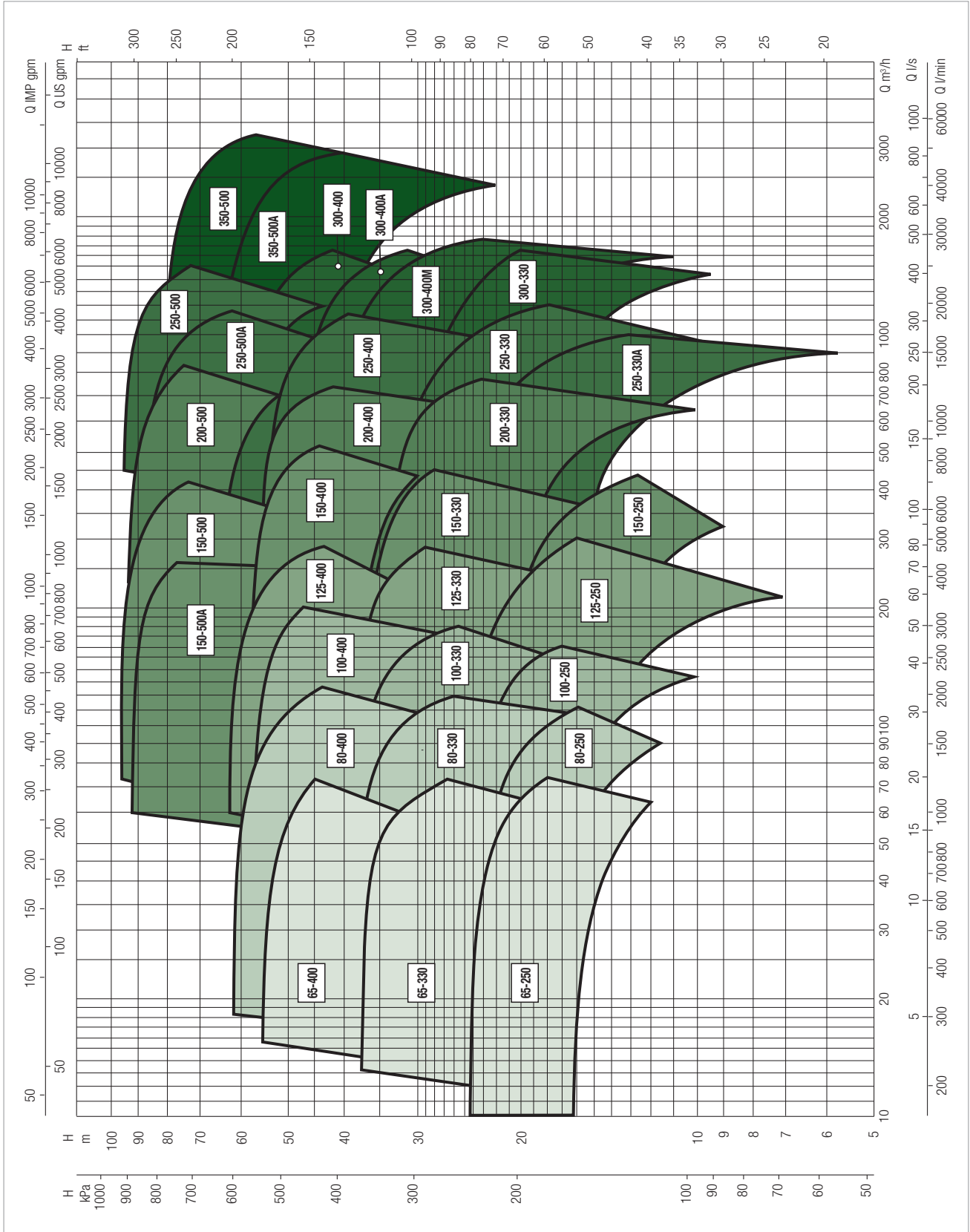
STANDARDISED CENTRIFUGAL ELECTRIC PUMPS

PERFORMANCE RANGE

The performance curves are based on kinematic viscosity values = 1 mm²/s and density equal to 1000 kg/m³. Curve tolerance according to ISO 9906.

GRAPHIC SELECTION TABLE

= 1450 1/min



KDN OVERSIZE - 4 POLES

STANDARDISED CENTRIFUGAL ELECTRIC PUMPS

SELECTION TABLE - KDN 65

MODEL	Q=m ³ /h	0	10	20	30	40	50	60	70	80
	Q=l/min	0	167	333	500	667	833	1000	1167	1333
KDN 65-250 / 224	H (m)	16	16	16	15	15	14			
KDN 65-250 / 244		21	21	20	20	19	18	16		
KDN 65-250 / 264		25	25	25	24	24	23	21	19	17
KDN 65-330 / 270		23	23	23	22	21	19	15		
KDN 65-330 / 290		28	27	27	26	25	23	20		
KDN 65-330 / 310		32	32	32	32	31	29	26	22	
KDN 65-330 / 328		38	38	38	37	36	35	33	29	
KDN 65-400 / 350		38	38	38	37	36	34	31		
KDN 65-400 / 370		44	43	43	43	42	40	38		
KDN 65-400 / 390		50	50	50	49	48	46	44	42	
KDN 65-400 / 408		55	55	54	54	53	51	49	46	

SELECTION TABLE - KDN 80

MODEL	Q=m ³ /h	0	10	20	30	40	50	60	70	80	100	120
	Q=l/min	0	167	333	500	667	833	1000	1167	1333	1667	2000
KDN 80-250 / 224	H (m)	16		16	16	16	16	15	14	13		
KDN 80-250 / 244		19		19	19	19	19	18	17	17	14	
KDN 80-250 / 264		23		23	23	23	22	22	21	21	18	
KDN 80-330 / 270		24		24	24	24	23	23	21	19	15	
KDN 80-330 / 290		28		28	28	28	27	26	25	24	19	
KDN 80-330 / 310		33		33	33	33	33	33	32	31	27	
KDN 80-330 / 328		38		38	38	38	38	38	37	36	32	26
KDN 80-400 / 330		37		37	37	37	37	36	35	33	28	
KDN 80-400 / 350		43		43	43	43	43	42	41	39	34	
KDN 80-400 / 370		48		49	49	48	48	47	46	44	39	
KDN 80-400 / 390		55		54	54	54	54	53	52	51	47	41
KDN 80-400 / 408		62		61	61	61	61	60	59	57	52	46

SELECTION TABLE - KDN 100

MODEL	Q=m ³ /h	0	10	20	30	40	50	60	70	80	100	120	150	180	200
	Q=l/min	0	167	333	500	667	833	1000	1167	1333	1667	2000	2500	3000	3333
KDN 100-250 / 224	H (m)	16			16	16	16	15	15	15	14	13			
KDN 100-250 / 244		19			19	19	19	19	19	19	19	18	17		
KDN 100-250 / 264		23			23	23	23	23	23	23	23	22	21	19	
KDN 100-330 / 270		23			23	23	23	23	23	23	23	21	19		
KDN 100-330 / 290		27			27	27	27	27	27	27	27	26	24	19	
KDN 100-330 / 310		32			32	32	32	32	32	32	32	31	30	25	
KDN 100-330 / 328		37			37	37	37	37	37	37	37	36	35	32	26
KDN 100-400 / 330		37			37	36	36	36	36	35	35	34	32	28	
KDN 100-400 / 350		41			41	41	41	41	40	40	40	39	37	33	
KDN 100-400 / 370		47			47	47	47	47	46	46	46	45	43	40	36
KDN 100-400 / 390		53			53	53	53	53	52	52	52	51	50	47	44
KDN 100-400 / 408		59			59	59	59	58	58	58	58	57	57	54	51

KDN OVERSIZE - 4 POLES

STANDARDISED CENTRIFUGAL ELECTRIC PUMPS

SELECTION TABLE - KDN 125

MODEL	Q=m ³ /h	0	10	20	30	40	50	60	70	80	100	120	150	180	200	250	300	
	Q=l/min	0	167	333	500	667	833	1000	1167	1333	1667	2000	2500	3000	3333	4167	5000	
KDN 125-250 / 220	H (m)	15				15	15	14	14	14	14	13	12	11	9			
KDN 125-250 / 235		18				18	18	18	17	17	17	17	16	14	13	10		
KDN 125-250 / 250		21				21	21	21	21	21	21	20	20	19	18	17	14	
KDN 125-250 / 264		24				24	24	24	24	24	24	24	24	23	23	22	19	16
KDN 125-330 / 270		25				24	24	24	24	24	24	24	23	22	19	17		
KDN 125-330 / 290		28				28	28	28	28	28	28	28	27	26	25	23		
KDN 125-330 / 310		34				33	33	33	33	33	33	33	33	32	31	30	25	
KDN 125-330 / 328		38				38	38	38	38	38	38	38	38	38	37	36	33	
KDN 125-400 / 330		40				40	40	40	40	40	40	39	39	37	34	31		
KDN 125-400 / 350		44				44	44	44	44	44	44	44	44	42	39	37		
KDN 125-400 / 370		50				50	50	50	49	49	49	49	49	48	45	43	33	
KDN 125-400 / 390		55				55	55	55	55	55	55	55	55	54	52	51	42	
KDN 125-400 / 408		61				61	61	61	61	61	61	61	61	60	59	57	51	41

SELECTION TABLE - KDN 150

MODEL	Q=m ³ /h	0	10	20	30	40	50	60	70	80	100	120	150	180	200	250	300	350	400	450	500		
	Q=l/min	0	167	333	500	667	833	1000	1167	1333	1667	2000	2500	3000	3333	4167	5000	5833	6667	7500	8334		
KDN 150-250 / 220	H (m)	14					14	14	14	13	13	13	13	13	11	10							
KDN 150-250 / 235		16					16	16	16	16	16	16	15	15	15	13	12	10					
KDN 150-250 / 250		19					18	18	18	18	18	18	18	17	16	15	13						
KDN 150-250 / 264		22					21	21	21	21	21	21	21	20	20	19	18	17	14				
KDN 150-330 / 260		22					22	22	22	21	21	21	21	21	21	20	18	15					
KDN 150-330 / 280		26					26	26	26	26	26	26	25	25	25	24	23	21					
KDN 150-330 / 300		30					30	30	30	30	30	30	30	29	29	28	27	25	23				
KDN 150-330 / 315		34					34	33	33	33	33	33	33	33	33	32	31	29	27				
KDN 150-330 / 328		37					37	37	37	37	37	37	36	36	36	35	35	33	31	28			
KDN 150-400 / 330		37					37	37	37	37	37	37	37	37	37	36	35	34	31				
KDN 150-400 / 350		42					42	42	42	42	42	42	42	42	42	42	41	39	37	33			
KDN 150-400 / 370		47					47	47	47	47	47	47	47	47	47	46	45	44	41	38			
KDN 150-400 / 390		54					53	53	53	53	53	53	53	53	53	52	51	50	47	44			
KDN 150-400 / 408		60					60	60	60	60	60	60	60	60	59	59	58	56	53	49	44		
KDN 150-500 A / 440		65					65	64	64	64	63	62	60	58	51								
KDN 150-500A / 460		72					71	71	71	71	70	69	68	65	57								
KDN 150-500A / 480		78					78	77	77	77	76	75	73	71	63								
KDN 150-500A / 500		85					84	84	84	84	83	82	81	79	70								
KDN 150-500A / 518		91					91	91	91	91	91	90	88	86	79								
KDN 150-500 / 440		68									68	68	68	67	66	63	57	48					
KDN 150-500 / 460		74									74	74	73	72	69	64	56						
KDN 150-500 / 480		82									81	81	81	80	79	72	66	58					
KDN 150-500 / 500		89									89	89	88	88	87	85	81	76	68				
KDN 150-500 / 518		96									96	96	96	95	95	93	89	84	75				

KDN OVERSIZE - 4 POLES

STANDARDISED CENTRIFUGAL ELECTRIC PUMPS

SELECTION TABLE - KDN 200

MODEL	Q=m ³ /h	0	10	20	30	40	50	60	70	80	100	120	150	180	200	250	300	350	400	450	500	600	700	800	
	Q=l/min	0	167	333	500	667	833	1000	1167	1333	1667	2000	2500	3000	3333	4167	5000	5833	6667	7500	8334	10000	11667	13334	
KDN 200-330 / 270	H (m)	20									20	20	20	20	20	20	19	19	18	17	16	12			
KDN 200-330 / 290		24										24	24	24	24	24	24	24	23	23	22	22	19		
KDN 200-330 / 310		29										29	29	29	29	29	29	29	29	28	28	27	25	21	
KDN 200-330 / 328		34										34	34	33	33	33	33	33	33	33	33	32	31	27	
KDN 200-400 / 330		32										32	32	32	32	32	31	31	31	30	29	28	23		
KDN 200-400 / 350		38										38	38	38	38	38	38	37	37	37	36	35	31		
KDN 200-400 / 370		43										43	43	43	43	43	43	43	42	42	42	41	37		
KDN 200-400 / 390		48										48	48	48	48	48	48	48	48	48	48	47	45	37	
KDN 200-400 / 408		54										54	54	54	54	54	54	54	54	53	53	53	51	46	
KDN 200-500 / 430		65										65	65	65	65	65	65	64	64	63	62	60	56	51	
KDN 200-500 / 450		72										72	72	72	72	71	71	71	71	70	69	67	62	58	
KDN 200-500 / 470		76										76	77	77	77	76	76	76	76	75	74	72	68	63	
KDN 200-500 / 490		82										82	83	82	82	82	82	82	82	81	80	79	76	71	65
KDN 200-500 / 508		94										94	94	94	94	94	93	93	92	92	91	89	86	81	75

SELECTION TABLE - KDN 250

MODEL	Q=m ³ /h	0	250	300	350	400	450	500	600	700	800	900	1000	1100	1200	1400	1500	
	Q=l/min	0	4167	5000	5833	6667	7500	8334	10000	11667	13334	15000	16667	18334	20000	23334	25001	
KDN 250-330A / 275/32°	H (m)	17	16	15	15	15	14	14	12	11	8	6						
KDN 250-330A / 275/16°		20	19	18	18	18	17	17	16	14	11	8						
KDN 250-330A / 275		23	22	21	21	21	20	20	18	17	14	11						
KDN 250-330A / 285		26	24	24	23	23	23	22	21	19	17	14						
KDN 250-330A / 295		28		26	26	25	25	24	23	22	20	17	13					
KDN 250-330 / 310/16°		23		20	19	19	18	18	17	15	13	11						
KDN 250-330/310/290		26		24	24	23	23	22	20	18	17	14	12					
KDN 250-330 / 310/300		28		26	25	25	24	24	23	21	18	17	13					
KDN 250-330 / 310		30		28	27	27	26	26	25	23	22	19	17					
KDN 250-330 / 320		32		30	30	30	29	29	28	26	25	23	21					
KDN 250-330 / 328		35		33	33	33	32	32	30	29	28	26	24					
KDN 250-400 / 330		33		33	32	32	31	31	29	27	25	22						
KDN 250-400 / 350		39		38	38	37	37	36	35	33	31	29	26					
KDN 250-400 / 370		44		43	43	43	43	42	41	40	38	35	32					
KDN 250-400 / 390		50		50	50	50	49	49	48	47	45	43	40	36				
KDN 250-400 / 408		54		54	54	54	54	54	53	52	50	48	45	41				
KDN 250-500A / 440		61		61	61	61	61	60	58	55	51	45						
KDN 250-500A / 460		68		68	68	68	67	67	65	62	58	53	46					
KDN 250-500A / 480		76		75	75	75	75	74	73	70	67	62	57					
KDN 250-500A / 500		82		82	82	82	82	82	81	79	76	72	67	60				
KDN 250-500A / 518		89		89	89	89	89	88	87	85	82	78	74	68				
KDN 250-500 / 440		60						60	59	57	56	55	54	50	44			
KDN 250-500 / 460		66						66	66	66	65	64	61	58	53			
KDN 250-500 / 480		75						75	75	75	74	73	72	69	65			
KDN 250-500 / 500		84						84	84	84	83	83	82	80	76	66		
KDN 250-500 / 518		94						94	94	94	94	93	92	90	87	79	72	

KDN OVERSIZE - 4 POLES

STANDARDISED CENTRIFUGAL ELECTRIC PUMPS

SELECTION TABLE - KDN 300

MODEL	Q=m ³ /h	0	250	300	350	400	450	500	600	700	800	900	1000	1100	1200	1400	1500	1600		
	Q=l/min	0	4167	5000	5833	6667	7500	8334	10000	11667	13334	15000	16667	18334	20000	23334	25001	26667		
KDN 300-330 / 325/36 °	H (m)	19						18	18	17	16	16	15	14	13	10				
KDN 300-330 / 325/24°		22							21	20	20	19	18	17	16	15	13	11		
KDN 300-330 / 325/12°		24							23	23	22	21	20	20	19	17	15	13		
KDN 300-330 / 325		28							26	25	25	24	23	22	21	20	18	16		
KDN 300-330 / 335		30							28	27	27	26	25	25	24	23	21	19	17	
KDN 300-330 / 345		32							30	30	29	29	28	27	27	26	23	22	21	
KDN 300-400M / 350		25							24	23	23	22	21	20	19	18	16	14	11	
KDN 300-400M / 380		32							31	31	31	30	29	29	28	27	25	22	20	
KDN 300-400M / 395		37							36	36	35	35	34	34	33	32	29	27	25	
KDN 300-400M / 408		41							40	40	40	39	38	37	37	36	34	31	29	
KDN 300-400 A / 330/7 °		33					33	32	32	32	31	31	30	29	28	26	21			
KDN 300-400 A / 370/340		39					38	38	38	38	38	37	36	35	34	33	29	27		
KDN 300-400A / 370/355		43						43	43	42	42	41	41	40	39	38	34	32	28	
KDN 300-400A / 370		47					47	47	47	47	47	46	46	45	44	42	39	36	33	
KDN 300-400 / 340		40			40	39	39	39	39	38	37	36	35	33	32	28				
KDN 300-400 / 370		49				48	48	47	47	46	46	45	44	42	41	38				
KDN 300-400 / 390		54				53	53	53	53	52	51	51	50	49	48	46	42	39		
KDN 300-400 / 408		59				59	59	59	58	58	57	57	56	55	54	53	50	48	45	

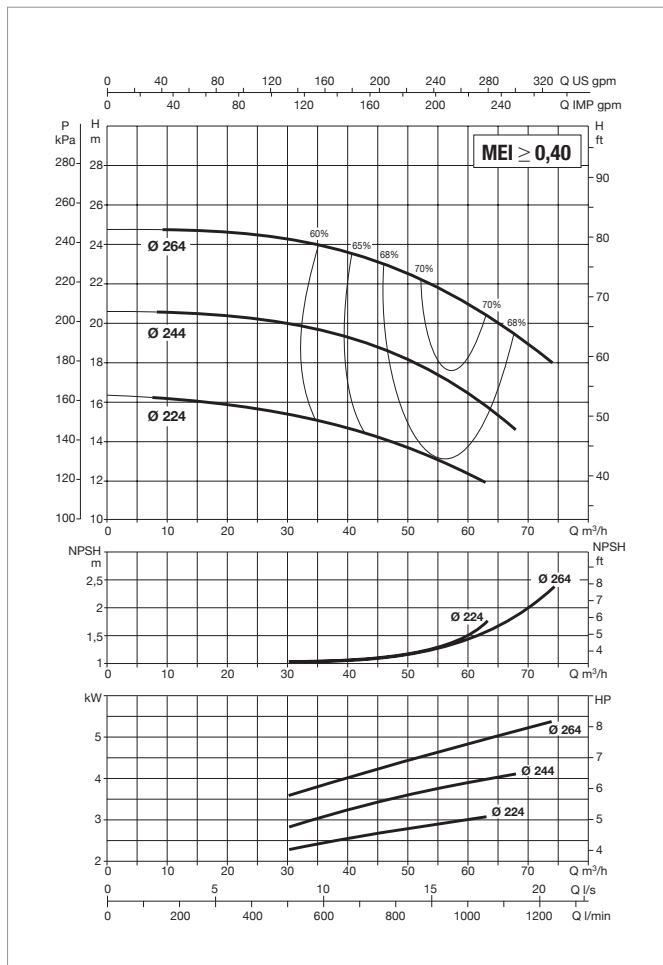
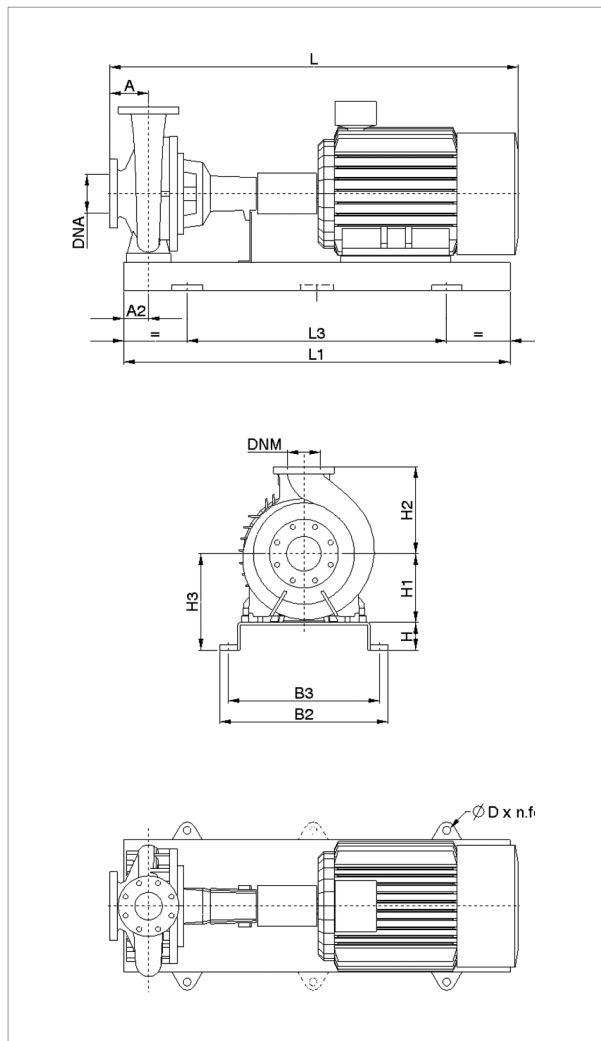
SELECTION TABLE - KDN 350

MODEL	Q=m ³ /h	0	250	300	350	400	450	500	600	700	800	900	1000	1100	1200	1400	1500	1600	2000	2500	1600	3000		
	Q=l/min	0	4167	5000	5833	6667	7500	8334	10000	11667	13334	15000	16667	18334	20000	23334	25001	26667	33334	41668	46668	50001		
KDN 350-500A / 405/16°	H (m)	41					41	41	40	40	40	40	40	40	39	38	38	37	32					
KDN 350-500A / 405		50					50	50	50	50	50	50	49	49	49	49	48	47	43	33				
KDN 350-500A / 435		57					57	57	57	57	57	57	57	57	57	56	56	55	51	42	34			
KDN 350-500A / 465		65					64	64	64	64	64	64	64	64	64	63	63	62	59	51	44			
KDN 350-500 / 430		49					48	48	48	48	48	47	47	47	47	46	46	45	42	36				
KDN 350-500 / 460		61					61	61	60	60	60	59	59	59	58	58	57	56	54	47	40			
KDN 350-500 / 490		70					70	70	69	69	69	69	69	69	68	67	67	66	63	58	52	48		
KDN 350-500 / 518		81					81	81	81	80	80	80	80	80	80	80	79	78	76	71	66	63		

KDN 65-250 - 4 POLES - STANDARDISED CENTRIFUGAL ELECTRIC PUMPS FOR AIR CONDITIONING, REFRIGERATION, IRRIGATION, DECANTING, PRESSURISATION SYSTEMS, AND INDUSTRIAL APPLICATIONS

Pumped liquid temperature range: from -10 °C to +120°C - Maximum ambient temperature: +40°C

= 1450 1/min



See hydraulic efficiency details on page 291.

The performance curves are based on kinematic viscosity values = 1 mm²/s and density equal to 1000 kg/m³. Curve tolerance according to ISO 9906.

MODEL	ELECTRICAL DATA					
	POWER (kW)	MOTOR SIZE	POWER INPUT 50 Hz	In A		MOTOR TYPE
	4 POLES			IE2	IE3	
KDN 65-250	2.2	100L	3 x 230 - 400 V ~	8.75/5.05	-	IE2
	3	100L	3 x 400 V - Δ	6.25	-	IE2
	4	112M	3 x 400 V - Δ	7.95	-	IE2
	5.5	132S	3 x 400 V - Δ	10.60	-	IE2
	7.5	132S	3 x 400 V - Δ	14.2	14.6	IE2 / IE3

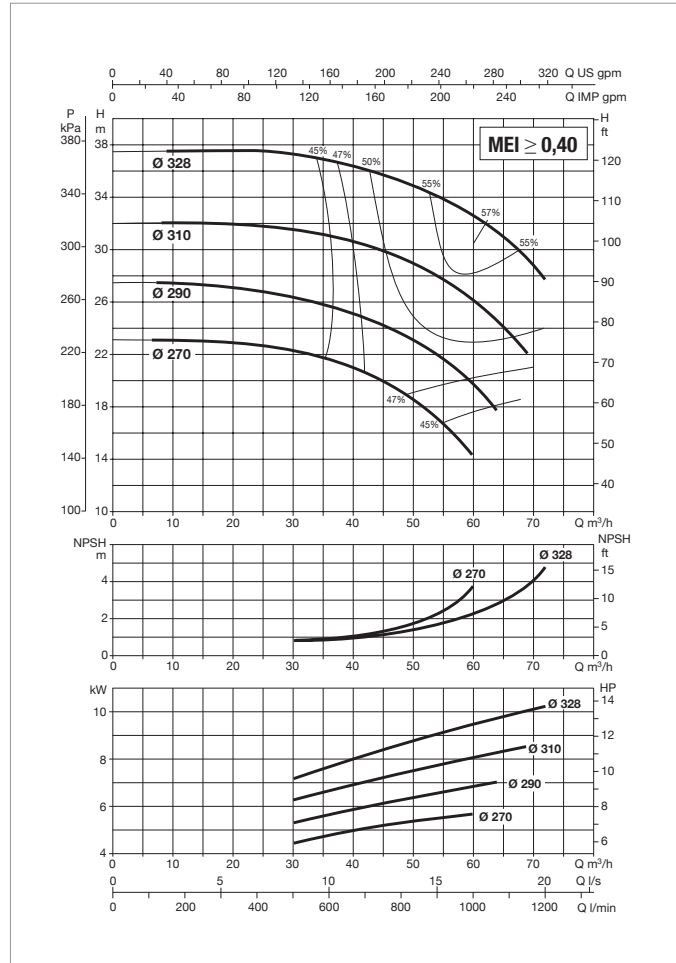
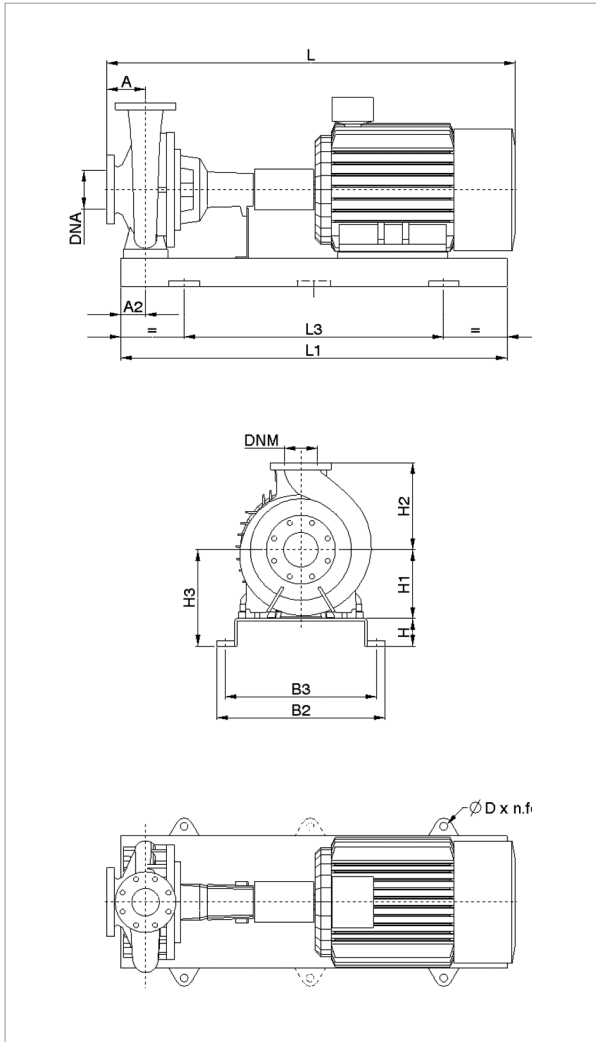
MODEL	POWER (kW)	UNIT DIMENSIONS (mm)											FLANGE DIMENSIONS (mm)		STANDARD COUPLING				SPACER COUPLING				REF.
		A	A2	H	H1	H2	H3	L1	L3	B2	B3	D	DNA	DNM	IE2		IE3		IE2		IE3		
															L	WEIGHT kg	L	WEIGHT kg	L	WEIGHT kg	L	WEIGHT kg	
KDN 65-250	2.2	125	90	80	200	250	280	1120	740	490	440	24x4	100	65	1014	169	-	-	1155	169	-	-	5
	3	125	90	80	200	250	280	1120	740	490	440	24x4	100	65	1014	177	-	-	1155	177	-	-	5
	4	125	90	80	200	250	280	1120	740	490	440	24x4	100	65	1029	193	-	-	1170	193	-	-	5
	5.5	125	90	80	200	250	280	1120	740	490	440	24x4	100	65	1099	209	-	-	1240	209	-	-	5
	7.5	125	90	80	200	250	280	1120	740	490	440	24x4	100	65	1099	218	1149	199	1240	233	1290	214	5

Dimension and electrical data based on sizing definition following the instructions on page 176.

KDN 65-330 - 4 POLES - STANDARDISED CENTRIFUGAL ELECTRIC PUMPS FOR AIR CONDITIONING, REFRIGERATION, IRRIGATION, DECANTING, PRESSURISATION SYSTEMS, AND INDUSTRIAL APPLICATIONS

Pumped liquid temperature range: from -10 °C to +120°C - Maximum ambient temperature: +40°C

= 1450 1/min



See hydraulic efficiency details on page 291.

The performance curves are based on kinematic viscosity values = 1 mm²/s and density equal to 1000 kg/m³. Curve tolerance according to ISO 9906.

MODEL	ELECTRICAL DATA					
	POWER (kW)	MOTOR SIZE	POWER INPUT 50 Hz	In A		MOTOR TYPE
	4 POLES			IE2	IE3	
KDN 65-330	5.5	132S	3 x 400 V - Δ	10.60	-	IE2
	7.5	132S	3 x 400 V - Δ	14.2	14.6	IE2 / IE3
	11	160M	3 x 400 V - Δ	21.6	20.5	IE2 / IE3
	15	160L	3 x 400 V - Δ	29	28	IE2 / IE3

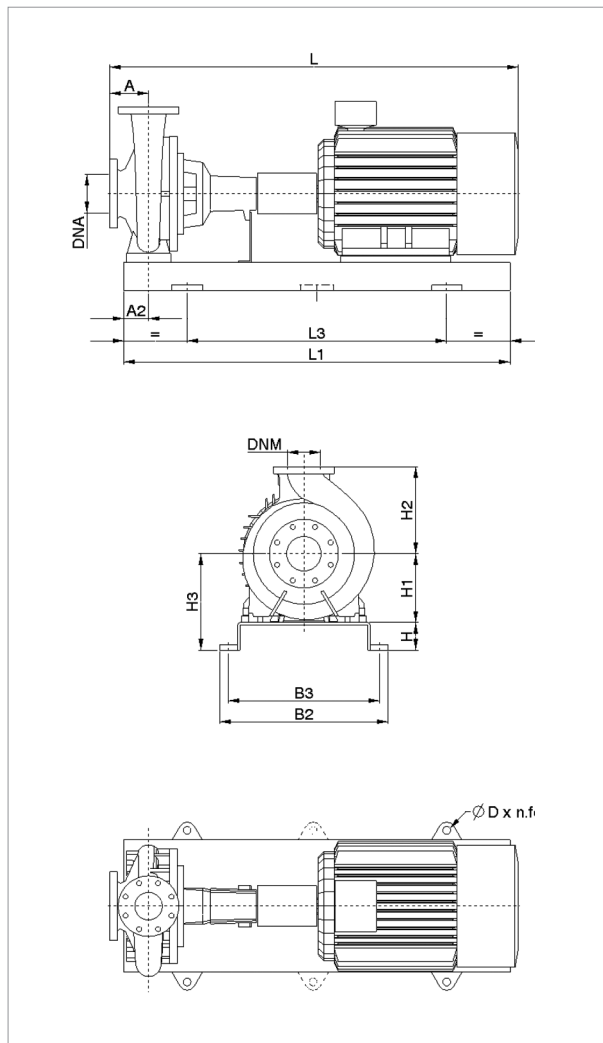
MODEL	POWER (kW)	UNIT DIMENSIONS (mm)											FLANGE DIMENSIONS (mm)		STANDARD COUPLING				SPACER COUPLING				REF.
		A	A2	H	H1	H2	H3	L1	L3	B2	B3	D	DNA	DNM	IE2		IE3		IE2		IE3		
		L	WEIGHT kg	L	WEIGHT kg	L	WEIGHT kg	L	WEIGHT kg	L	WEIGHT kg	L	WEIGHT kg	L	WEIGHT kg	L	WEIGHT kg	L	WEIGHT kg	L	WEIGHT kg		
KDN 65-330	5.5	125	90	80	225	280	305	1250	840	540	490	24x4	100	65	1129	286	-	-	1270	286	-	-	6
	7.5	125	90	80	225	280	305	1250	840	540	490	24x4	100	65	1129	295	1179	276	1270	310	1320	291	6
	11	125	90	80	225	280	305	1250	840	540	490	24x4	100	65	1274	339	1324	313	1415	354	1465	328	6
	15	125	90	100	225	280	325	1400	940	610	550	28x4	100	65	1329	374	1379	349	1470	389	1520	364	7

Dimension and electrical data based on sizing definition following the instructions on page 176.

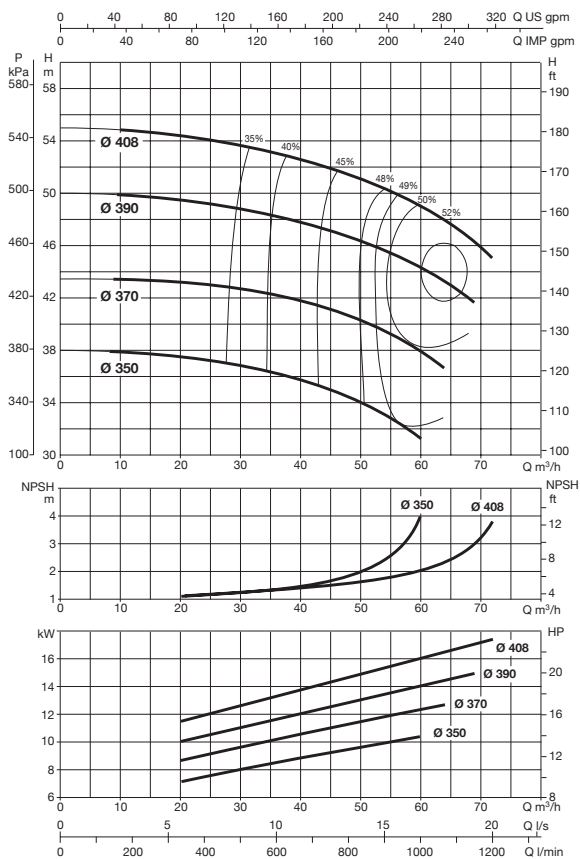
KDN 65-400 - 4 POLES - STANDARDISED CENTRIFUGAL ELECTRIC PUMPS FOR AIR CONDITIONING, REFRIGERATION, IRRIGATION, DECANTING, PRESSURISATION SYSTEMS, AND INDUSTRIAL APPLICATIONS

Pumped liquid temperature range: from -10 °C to +120°C - Maximum ambient temperature: +40°C

= 1450 1/min



* Only for markets outside the EU.



See hydraulic efficiency details on page 291.

The performance curves are based on kinematic viscosity values = 1 mm²/s and density equal to 1000 kg/m³. Curve tolerance according to ISO 9906.

MODEL	ELECTRICAL DATA					
	POWER (kW)	MOTOR SIZE	POWER INPUT 50 Hz	In A		MOTOR TYPE
	4 POLES			IE2	IE3	
KDN 65-400	11	160M	3 x 400 V - Δ	21.6	20.5	IE2 / IE3
	15	160L	3 x 400 V - Δ	29	28	IE2 / IE3
	18.5	180M	3 x 400 V - Δ	33	34	IE2 / IE3
	22	180L	3 x 400 V - Δ	40	40.5	IE2 / IE3

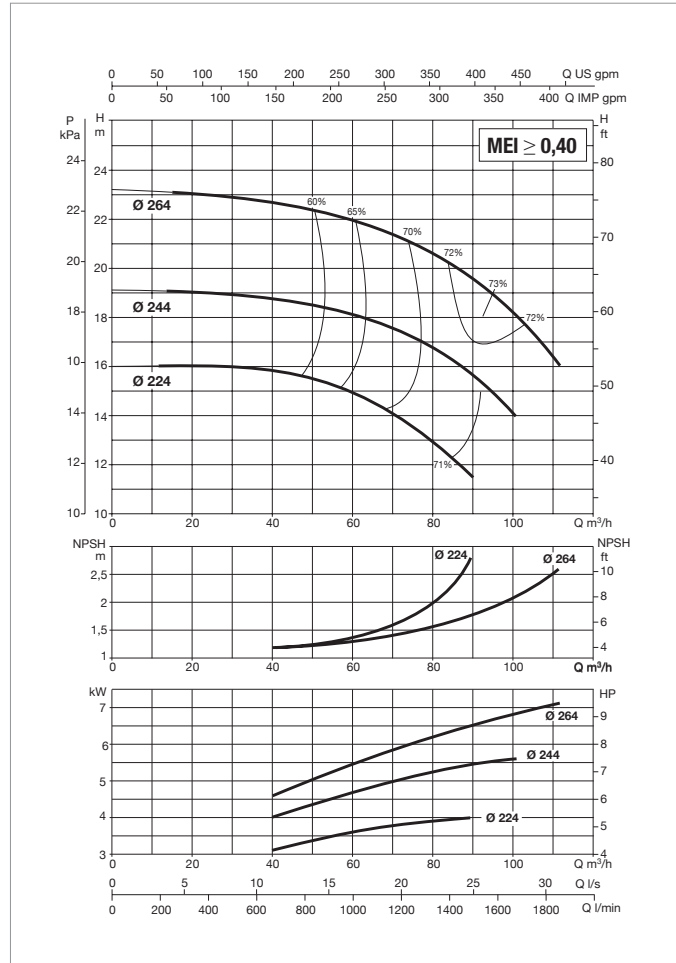
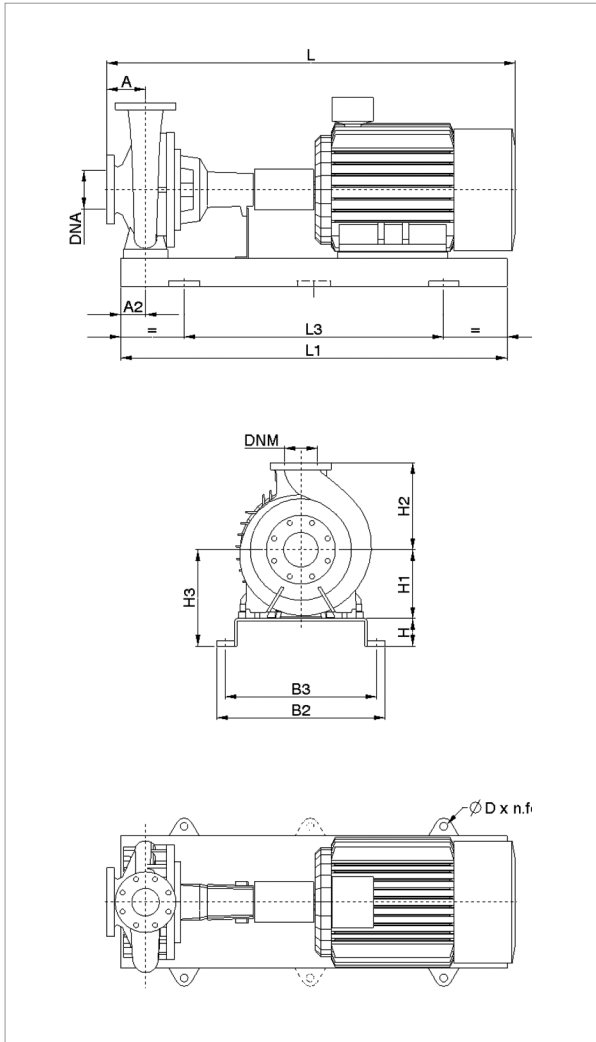
MODEL	POWER (kW)	UNIT DIMENSIONS (mm)											FLANGE DIMENSIONS (mm)		STANDARD COUPLING				SPACER COUPLING				REF.
		A	A2	H	H1	H2	H3	L1	L3	B2	B3	D	DNA	DNM	IE2		IE3		IE2		IE3		
		L	WEIGHT kg	L	WEIGHT kg	L	WEIGHT kg	L	WEIGHT kg														
KDN 65-400	11	125	90	100	280	355	380	1400	940	610	550	28x4	100	65	1274	386	1324	360	1415	401	1465	375	7
	15	125	90	100	280	355	380	1400	940	610	550	28x4	100	65	1329	402	1379	377	1470	417	1520	392	7
	18.5	125	90	100	280	355	380	1400	940	610	550	28x4	100	65	1349	443	1399	412	1490	458	1540	427	7
	22	125	90	100	280	355	380	1400	940	610	550	28x4	100	65	1387	461	1437	431	1528	476	1578	446	7

Dimension and electrical data based on sizing definition following the instructions on page 176.

KDN 80-250 - 4 POLES - STANDARDISED CENTRIFUGAL ELECTRIC PUMPS FOR AIR CONDITIONING, REFRIGERATION, IRRIGATION, DECANTING, PRESSURISATION SYSTEMS, AND INDUSTRIAL APPLICATIONS

Pumped liquid temperature range: from -10 °C to +120°C - Maximum ambient temperature: +40°C

= 1450 1/min



See hydraulic efficiency details on page 291.

The performance curves are based on kinematic viscosity values = 1 mm²/s and density equal to 1000 kg/m³. Curve tolerance according to ISO 9906.

MODEL	ELECTRICAL DATA					
	POWER (kW)	MOTOR SIZE	POWER INPUT 50 Hz	In A		MOTOR TYPE
	4 POLES			IE2	IE3	
KDN 80-250	4	112M	3 x 400 V - Δ	7.95	-	IE2
	5.5	132S	3 x 400 V - Δ	10.60	-	IE2
	7.5	132S	3 x 400 V - Δ	14.2	14.6	IE2 / IE3
	11	160M	3 x 400 V - Δ	21.6	20.5	IE2 / IE3
	15	160L	3 x 400 V - Δ	29	28	IE2 / IE3

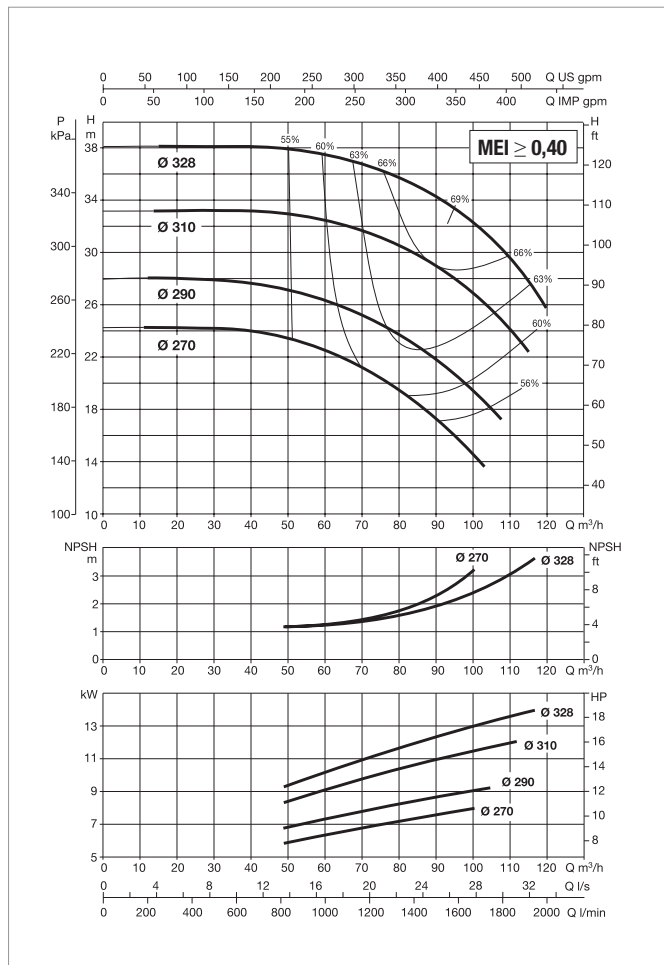
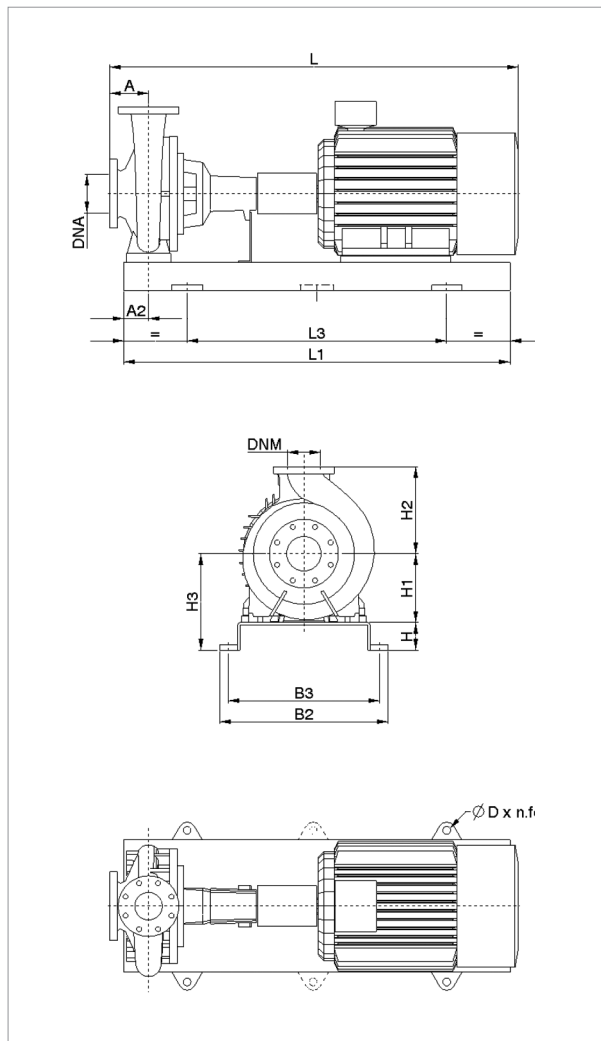
MODEL	POWER (kW)	UNIT DIMENSIONS (mm)										FLANGE DIMENSIONS (mm)		STANDARD COUPLING				SPACER COUPLING				REF.	
		A	A2	H	H1	H2	H3	L1	L3	B2	B3	D	DNA	DNM	IE2		IE3		IE2		IE3		
		L	WEIGHT kg	L	WEIGHT kg	L	WEIGHT kg	L	WEIGHT kg	L	WEIGHT kg	L	WEIGHT kg	L	WEIGHT kg	L	WEIGHT kg	L	WEIGHT kg	L	WEIGHT kg		
KDN 80-250	4	125	90	80	225	280	305	1250	840	540	490	24x4	125	80	1029	218	-	-	1170	218	-	-	6
	5.5	125	90	80	225	280	305	1250	840	540	490	24x4	125	80	1099	234	-	-	1240	234	-	-	6
	7.5	125	90	80	225	280	305	1250	840	540	490	24x4	125	80	1099	243	1149	224	1240	258	1290	239	6
	11	125	90	80	225	280	305	1250	840	540	490	24x4	125	80	1244	287	1294	261	1385	302	1435	276	6
	15	125	90	80	225	280	305	1250	840	540	490	24x4	125	80	1299	303	1349	278	1440	318	1490	293	6

Dimension and electrical data based on sizing definition following the instructions on page 176.

KDN 80-330 - 4 POLES - STANDARDISED CENTRIFUGAL ELECTRIC PUMPS FOR AIR CONDITIONING, REFRIGERATION, IRRIGATION, DECANTING, PRESSURISATION SYSTEMS, AND INDUSTRIAL APPLICATIONS

Pumped liquid temperature range: from -10 °C to +120°C - Maximum ambient temperature: +40°C

= 1450 1/min



See hydraulic efficiency details on page 291.

The performance curves are based on kinematic viscosity values = 1 mm²/s and density equal to 1000 kg/m³. Curve tolerance according to ISO 9906.

MODEL	ELECTRICAL DATA					
	POWER (kW)	MOTOR SIZE	POWER INPUT 50 Hz	In A		MOTOR TYPE
	4 POLES			IE2	IE3	
KDN 80-330	5.5	132S	3 x 400 V - Δ	10.60	-	IE2
	7.5	132S	3 x 400 V - Δ	14.2	14.6	IE2 / IE3
	11	160M	3 x 400 V - Δ	21.6	20.5	IE2 / IE3
	15	160L	3 x 400 V - Δ	29	28	IE2 / IE3
	18.5	180M	3 x 400 V - Δ	33	34	IE2 / IE3

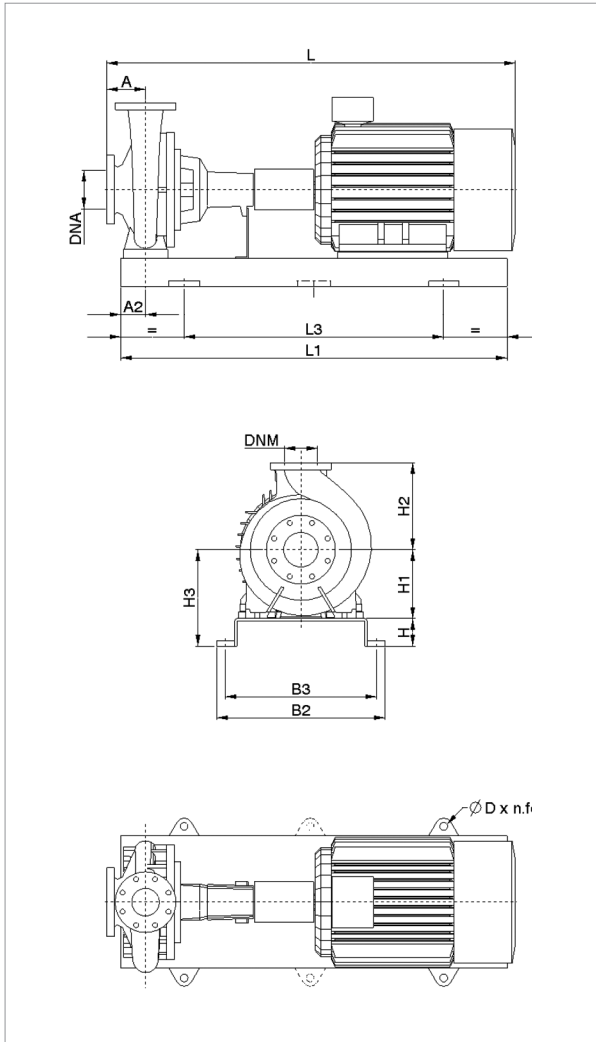
MODEL	POWER (kW)	UNIT DIMENSIONS (mm)										FLANGE DIMENSIONS (mm)		STANDARD COUPLING				SPACER COUPLING				REF.	
		A	A2	H	H1	H2	H3	L1	L3	B2	B3	D	DNA	DNM	IE2		IE3		IE2		IE3		
		L	WEIGHT kg	L	WEIGHT kg	L	WEIGHT kg	L	WEIGHT kg	L	WEIGHT kg	L	WEIGHT kg	L	WEIGHT kg	L	WEIGHT kg	L	WEIGHT kg				
KDN 80-330	5.5	125	90	80	250	315	330	1250	840	540	490	24x4	125	80	1129	289	-	-	1270	289	-	-	6
	7.5	125	90	80	250	315	330	1250	840	540	490	24x4	125	80	1129	298	1179	279	1270	313	1320	294	6
	11	125	90	80	250	315	330	1250	840	540	490	24x4	125	80	1274	342	1324	316	1415	357	1465	331	6
	15	125	90	100	250	315	350	1400	940	610	550	28x4	125	80	1329	377	1379	352	1470	392	1520	367	7
	18.5	125	90	100	250	315	350	1400	940	610	550	28x4	125	80	1349	418	1399	387	1490	433	1540	402	7

Dimension and electrical data based on sizing definition following the instructions on page 176.

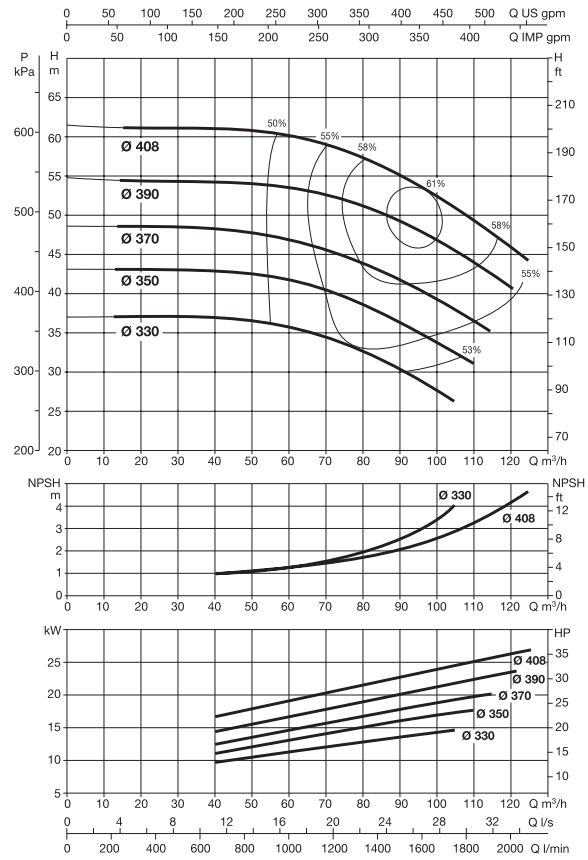
KDN 80-400 - 4 POLES - STANDARDISED CENTRIFUGAL ELECTRIC PUMPS FOR AIR CONDITIONING, REFRIGERATION, IRRIGATION, DECANTING, PRESSURISATION SYSTEMS, AND INDUSTRIAL APPLICATIONS

Pumped liquid temperature range: from -10 °C to +120°C - Maximum ambient temperature: +40°C

= 1450 1/min



* Only for markets outside the EU.



See hydraulic efficiency details on page 291.

The performance curves are based on kinematic viscosity values = 1 mm²/s and density equal to 1000 kg/m³. Curve tolerance according to ISO 9906.

MODEL	ELECTRICAL DATA					
	POWER (kW) 4 POLES	MOTOR SIZE	POWER INPUT 50 Hz	In A		MOTOR TYPE
				IE2	IE3	
KDN 80-400	11	160M	3 x 400 V - Δ	21.6	20.5	IE2 / IE3
	15	160L	3 x 400 V - Δ	29	28	IE2 / IE3
	18.5	180M	3 x 400 V - Δ	33	34	IE2 / IE3
	22	180L	3 x 400 V - Δ	40	40.5	IE2 / IE3
	30	200L	3 x 400 V - Δ	53.5	53.5	IE2 / IE3
	37	225S	3 x 400 V - Δ	66.5	65	IE2 / IE3

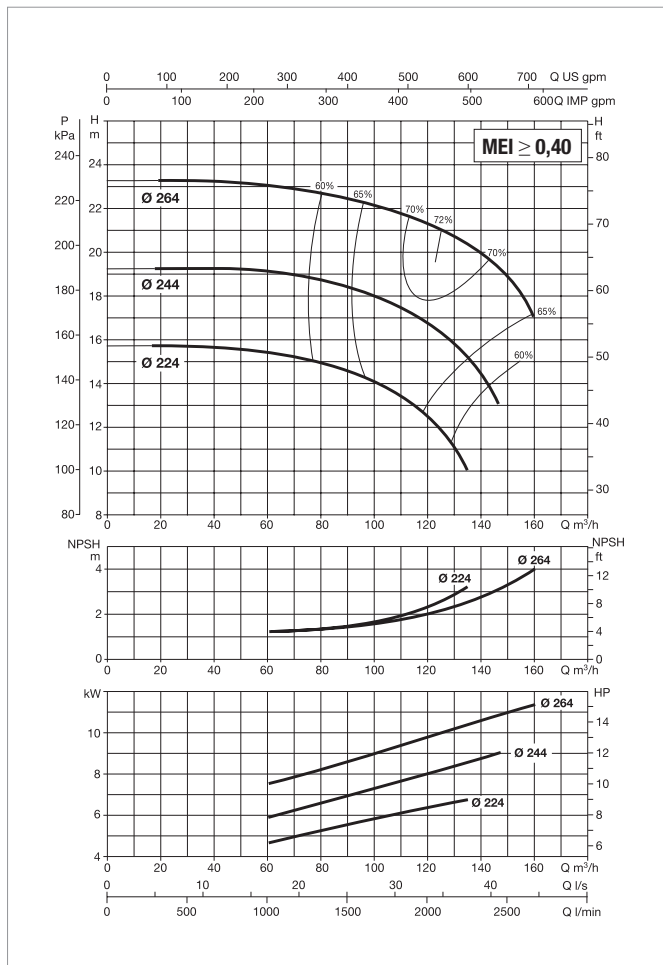
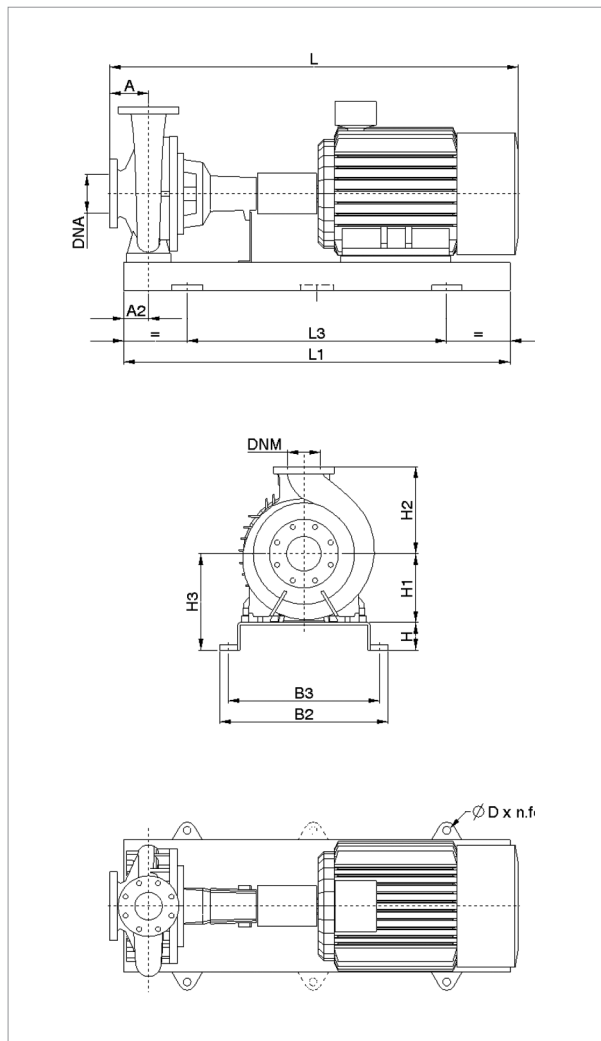
MODEL	POWER (kW)	UNIT DIMENSIONS (mm)										FLANGE DIMENSIONS (mm)		STANDARD COUPLING				SPACER COUPLING				REF.	
		A	A2	H	H1	H2	H3	L1	L3	B2	B3	D	DNA	DNM	IE2		IE3		IE2		IE3		
															L	WEIGHT kg	L	WEIGHT kg	L	WEIGHT kg	L		WEIGHT kg
KDN 80-400	11	125	90	100	280	355	380	1400	940	610	550	28x4	125	80	1274	391	1324	365	1415	406	1465	380	7
	15	125	90	100	280	355	380	1400	940	610	550	28x4	125	80	1329	407	1379	382	1470	422	1520	397	7
	18.5	125	90	100	280	355	380	1400	940	610	550	28x4	125	80	1349	448	1399	417	1490	463	1540	432	7
	22	125	90	100	280	355	380	1400	940	610	550	28x4	125	80	1387	466	1437	436	1528	481	1578	451	7
	30	125	90	100	280	355	380	1400	940	610	550	28x4	125	80	1429	530	1479	530	1570	545	1620	545	7
	37	125	90	100	280	355	380	1400	940	610	550	28x4	125	80	1474	579	1545	585	1615	594	1686	600	7

Dimension and electrical data based on sizing definition following the instructions on page 176.

KDN 100-250 - 4 POLES - STANDARDISED CENTRIFUGAL ELECTRIC PUMPS FOR AIR CONDITIONING, REFRIGERATION, IRRIGATION, DECANTING, PRESSURISATION SYSTEMS, AND INDUSTRIAL APPLICATIONS

Pumped liquid temperature range: from -10 °C to +120°C - Maximum ambient temperature: +40°C

= 1450 1/min



See hydraulic efficiency details on page 291.

The performance curves are based on kinematic viscosity values = 1 mm²/s and density equal to 1000 kg/m³. Curve tolerance according to ISO 9906.

MODEL	ELECTRICAL DATA					
	POWER (kW)	MOTOR SIZE	POWER INPUT 50 Hz	In A		MOTOR TYPE
	4 POLES			IE2	IE3	
KDN 100-250	5.5	132S	3 x 400 V - Δ	10.60	-	IE2
	7.5	132S	3 x 400 V - Δ	14.2	14.6	IE2 / IE3
	11	160M	3 x 400 V - Δ	21.6	20.5	IE2 / IE3
	15	160L	3 x 400 V - Δ	29	28	IE2 / IE3
	18.5	180M	3 x 400 V - Δ	33	34	IE2 / IE3

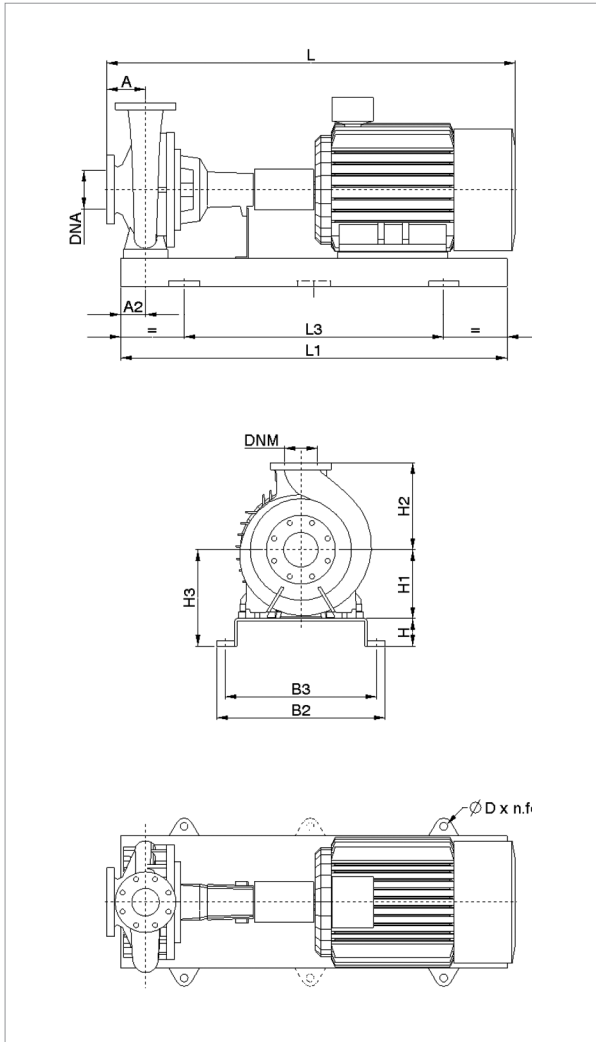
MODEL	POWER (kW)	UNIT DIMENSIONS (mm)										FLANGE DIMENSIONS (mm)		STANDARD COUPLING				SPACER COUPLING				REF.	
		A	A2	H	H1	H2	H3	L1	L3	B2	B3	D	DNA	DNM	IE2		IE3		IE2		IE3		
															L	WEIGHT kg	L	WEIGHT kg	L	WEIGHT kg	L		WEIGHT kg
KDN 100-250	5.5	140	90	80	225	280	305	1250	840	540	490	24x4	125	100	1144	264	-	-	1285	264	-	-	6
	7.5	140	90	80	225	280	305	1250	840	540	490	24x4	125	100	1144	273	1194	254	1285	288	1335	269	6
	11	140	90	80	225	280	305	1250	840	540	490	24x4	125	100	1289	317	1339	291	1430	332	1480	306	6
	15	140	90	100	225	280	325	1400	940	610	550	28x4	125	100	1344	352	1394	327	1485	367	1535	342	7
	18.5	140	90	100	225	280	325	1400	940	610	550	28x4	125	100	1364	393	1414	362	1505	408	1555	377	7

Dimension and electrical data based on sizing definition following the instructions on page 176.

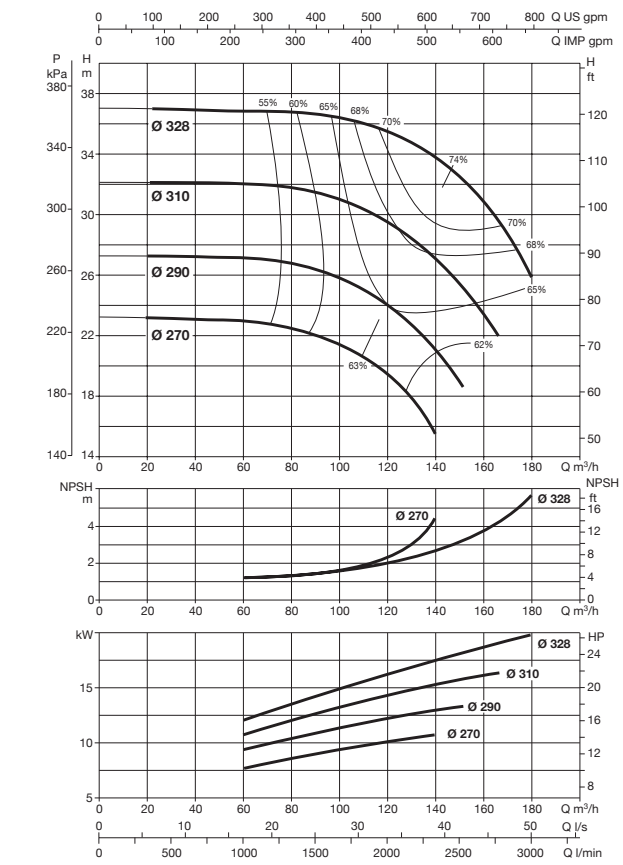
KDN 100-330 - 4 POLES - STANDARDISED CENTRIFUGAL ELECTRIC PUMPS FOR AIR CONDITIONING, REFRIGERATION, IRRIGATION, DECANTING, PRESSURISATION SYSTEMS, AND INDUSTRIAL APPLICATIONS

Pumped liquid temperature range: from -10 °C to +120°C - Maximum ambient temperature: +40°C

= 1450 1/min



* Only for markets outside the EU.



See hydraulic efficiency details on page 291.

The performance curves are based on kinematic viscosity values = 1 mm²/s and density equal to 1000 kg/m³. Curve tolerance according to ISO 9906.

MODEL	ELECTRICAL DATA					
	POWER (kW)	MOTOR SIZE	POWER INPUT 50 Hz	In A		MOTOR TYPE
	4 POLES			IE2	IE3	
KDN 100-330	5.5	132S	3 x 400 V - Δ	10.60	-	IE2
	7.5	132S	3 x 400 V - Δ	14.2	14.6	IE2 / IE3
	11	160M	3 x 400 V - Δ	21.6	2.5	IE2 / IE3
	15	160L	3 x 400 V - Δ	29	28	IE2 / IE3
	18.5	180M	3 x 400 V - Δ	33	34	IE2 / IE3
	22	180L	3 x 400 V - Δ	40	40.5	IE2 / IE3
	30	200L	3 x 400 V - Δ	53.5	53.5	IE2 / IE3

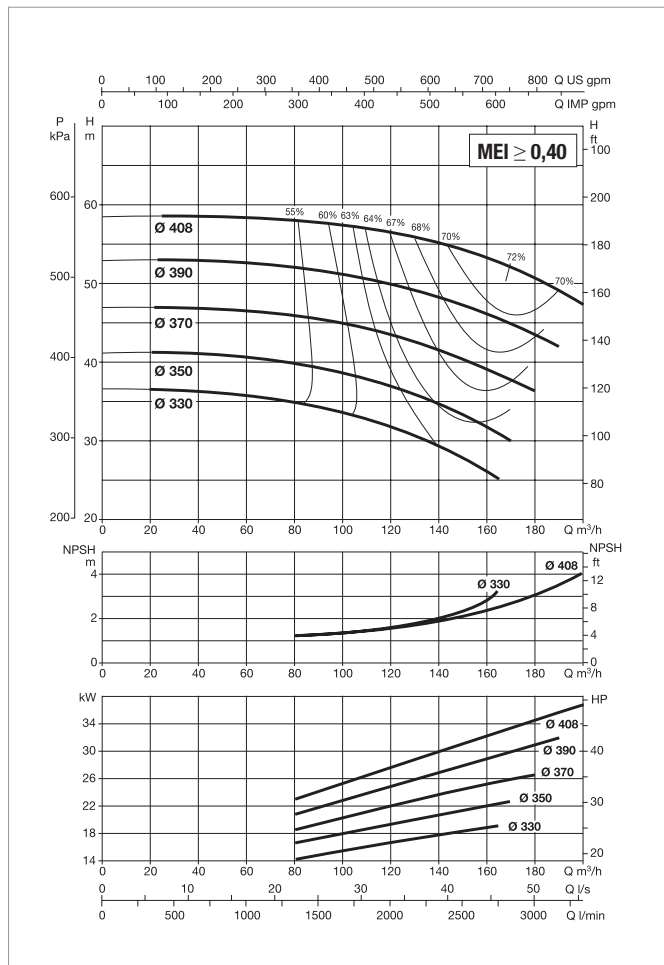
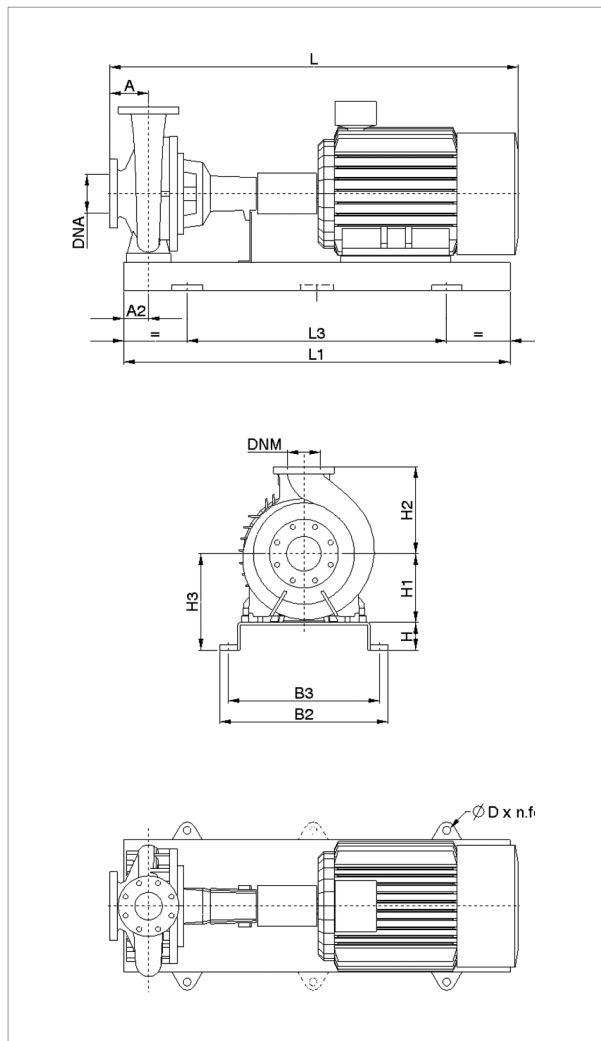
MODEL	POWER (kW)	UNIT DIMENSIONS (mm)											FLANGE DIMENSIONS (mm)		STANDARD COUPLING				SPACER COUPLING				REF.
		A	A2	H	H1	H2	H3	L1	L3	B2	B3	D	DNA	DNM	IE2		IE3		IE2		IE3		
		L	WEIGHT kg	L	WEIGHT kg	L	WEIGHT kg	L	WEIGHT kg	L	WEIGHT kg	L	WEIGHT kg	L	WEIGHT kg	L	WEIGHT kg	L	WEIGHT kg	L	WEIGHT kg		
KDN 100-330	5.5	140	90	80	250	315	330	1250	840	540	490	24x4	125	100	1144	304	-	-	1285	304	-	-	6
	7.5	140	90	80	250	315	330	1250	840	540	490	24x4	125	100	1144	313	1194	294	1285	328	1335	309	6
	11	140	90	80	250	315	330	1250	840	540	490	24x4	125	100	1289	357	1339	331	1430	372	1480	346	6
	15	140	90	100	250	315	350	1400	940	610	550	28x4	125	100	1344	392	1394	367	1485	407	1535	382	7
	18.5	140	90	100	250	315	350	1400	940	610	550	28x4	125	100	1364	433	1414	402	1505	448	1555	417	7
	22	140	90	100	250	315	350	1400	940	610	550	28x4	125	100	1402	451	1452	421	1543	466	1593	436	7
	30	140	90	100	250	315	350	1400	940	610	550	28x4	125	100	1444	515	1494	515	1585	530	1635	530	7

Dimension and electrical data based on sizing definition following the instructions on page 176.

KDN 100-400 - 4 POLES - STANDARDISED CENTRIFUGAL ELECTRIC PUMPS FOR AIR CONDITIONING, REFRIGERATION, IRRIGATION, DECANTING, PRESSURISATION SYSTEMS, AND INDUSTRIAL APPLICATIONS

Pumped liquid temperature range: from -10 °C to +120°C - Maximum ambient temperature: +40°C

= 1450 1/min



See hydraulic efficiency details on page 291.

The performance curves are based on kinematic viscosity values = 1 mm²/s and density equal to 1000 kg/m³. Curve tolerance according to ISO 9906.

MODEL	ELECTRICAL DATA					
	POWER (kW)	MOTOR SIZE	POWER INPUT 50 Hz	In A		MOTOR TYPE
	4 POLES			IE2	IE3	
KDN 100-400	11	160M	3 x 400 V - Δ	21.6	20.5	IE2 / IE3
	15	160L	3 x 400 V - Δ	29	28	IE2 / IE3
	18.5	180M	3 x 400 V - Δ	33	34	IE2 / IE3
	22	180L	3 x 400 V - Δ	40	40.5	IE2 / IE3
	30	200L	3 x 400 V - Δ	53.5	53.5	IE2 / IE3
	37	225S	3 x 400 V - Δ	66.5	65	IE2 / IE3
	45	225M	3 x 400 V - Δ	79.5	68.5	IE2 / IE3

MODEL	POWER (kW)	UNIT DIMENSIONS (mm)										FLANGE DIMENSIONS (mm)		STANDARD COUPLING				SPACER COUPLING				REF.	
		A	A2	H	H1	H2	H3	L1	L3	B2	B3	D	DNA	DNM	IE2		IE3		IE2		IE3		
		L	WEIGHT kg	L	WEIGHT kg	L	WEIGHT kg	L	WEIGHT kg	L	WEIGHT kg												
KDN 100-400	11	140	110	100	280	355	380	1600	1060	660	600	28x4	125	100	1289	423	1339	397	1430	438	1480	412	8
	15	140	110	100	280	355	380	1600	1060	660	600	28x4	125	100	1344	439	1394	414	1485	454	1535	429	8
	18.5	140	110	100	280	355	380	1600	1060	660	600	28x4	125	100	1364	480	1414	449	1505	495	1555	464	8
	22	140	110	100	280	355	380	1600	1060	660	600	28x4	125	100	1402	498	1452	468	1543	513	1593	483	8
	30	140	110	100	280	355	380	1600	1060	660	600	28x4	125	100	1444	562	1494	562	1585	577	1635	577	8
	37	140	110	100	280	355	380	1600	1060	660	600	28x4	125	100	1489	611	1560	617	1630	626	1701	632	8
	45	140	110	100	280	355	380	1600	1060	660	600	28x4	125	100	1519	627	1590	647	1660	642	1731	662	8

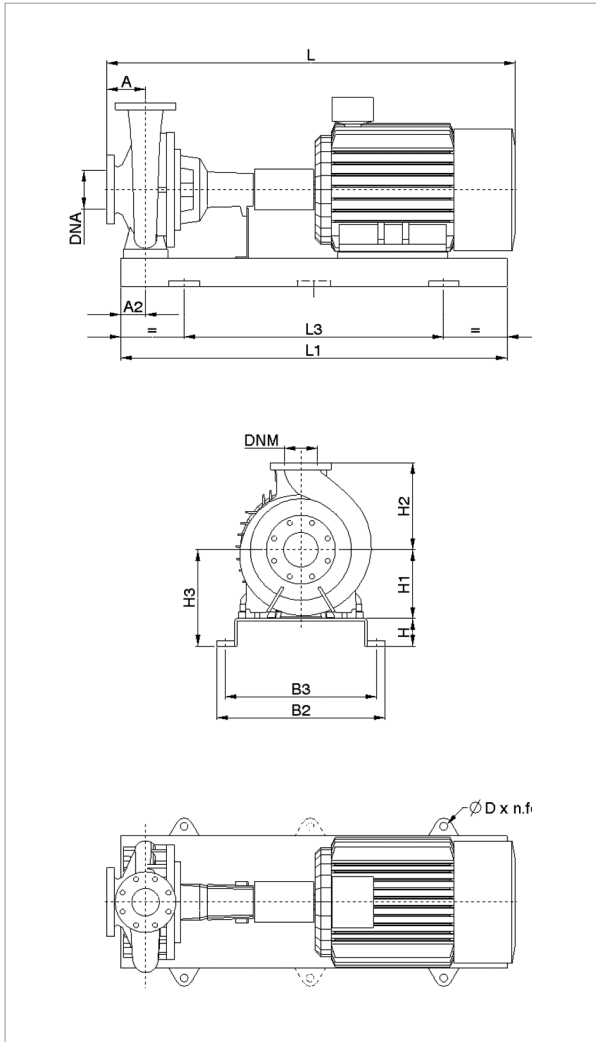
Dimension and electrical data based on sizing definition following the instructions on page 176.



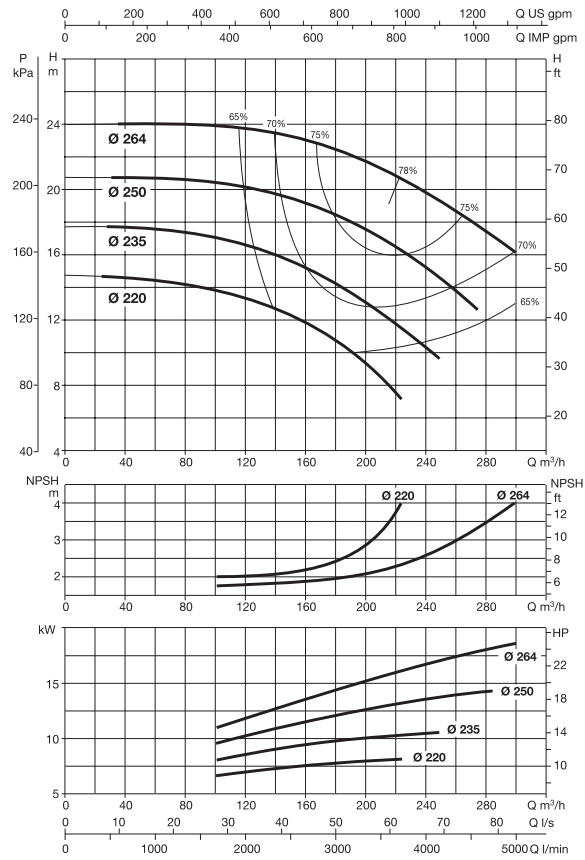
KDN 125-250 - 4 POLES - STANDARDISED CENTRIFUGAL ELECTRIC PUMPS FOR AIR CONDITIONING, REFRIGERATION, IRRIGATION, DECANTING, PRESSURISATION SYSTEMS, AND INDUSTRIAL APPLICATIONS

Pumped liquid temperature range: from -10 °C to +120°C - Maximum ambient temperature: +40°C

= 1450 1/min



* Only for markets outside the EU.



See hydraulic efficiency details on page 291.

The performance curves are based on kinematic viscosity values = 1 mm²/s and density equal to 1000 kg/m³. Curve tolerance according to ISO 9906.

MODEL	ELECTRICAL DATA					
	POWER (kW) 4 POLES	MOTOR SIZE	POWER INPUT 50 Hz	In A		MOTOR TYPE
				IE2	IE3	
KDN 125-250	5.5	132S	3 x 400 V - Δ	10.60	-	IE2
	7.5	132S	3 x 400 V - Δ	14.2	14.6	IE2 / IE3
	11	160M	3 x 400 V - Δ	21.6	20.5	IE2 / IE3
	15	160L	3 x 400 V - Δ	29	28	IE2 / IE3
	18.5	180M	3 x 400 V - Δ	33	34	IE2 / IE3
	22	180L	3 x 400 V - Δ	40	40.5	IE2 / IE3

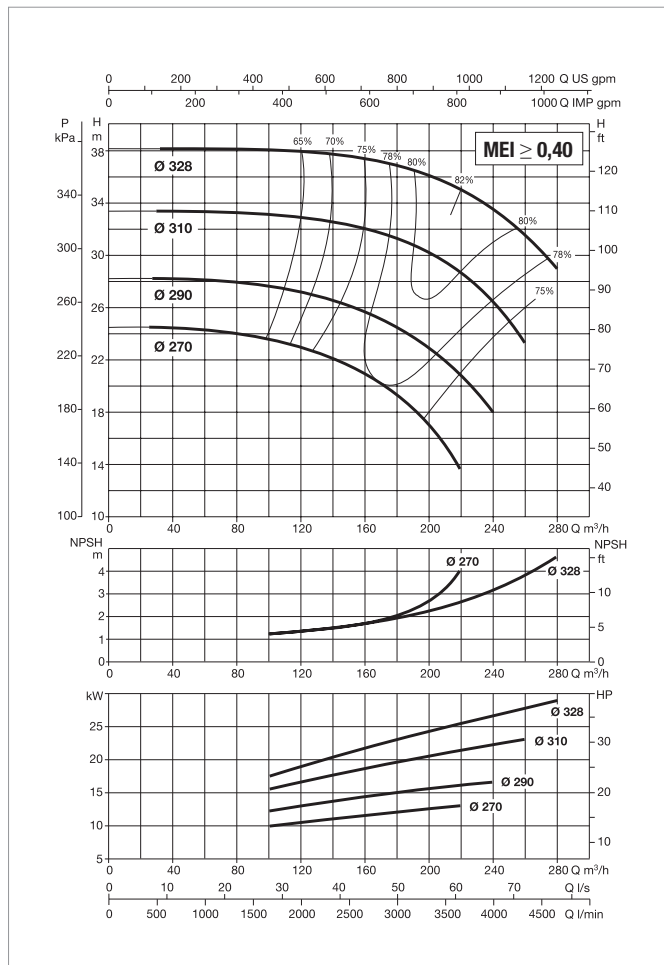
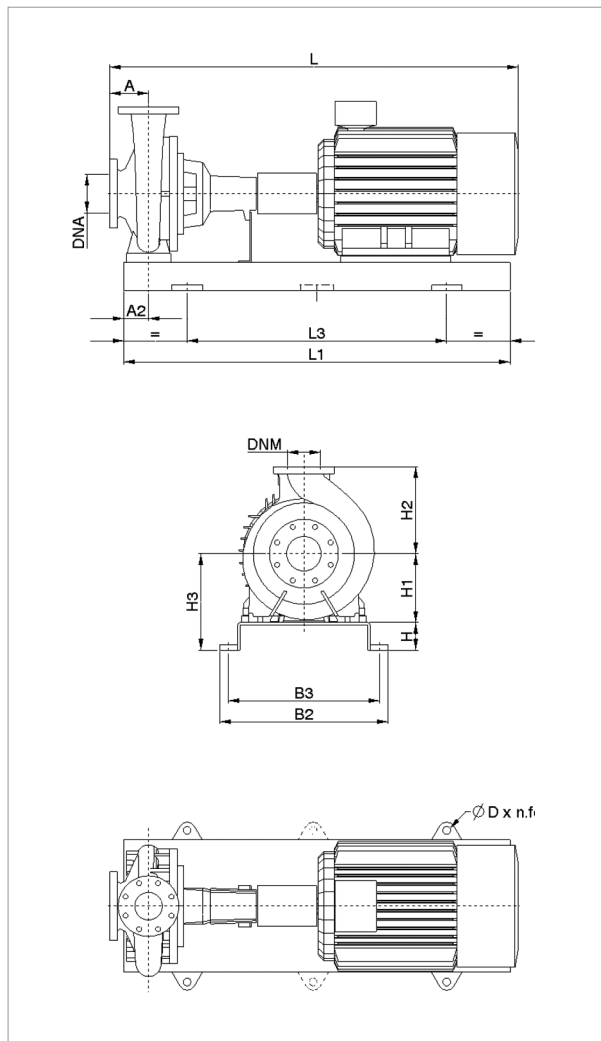
MODEL	POWER (kW)	UNIT DIMENSIONS (mm)										FLANGE DIMENSIONS (mm)		STANDARD COUPLING				SPACER COUPLING				REF.	
		A	A2	H	H1	H2	H3	L1	L3	B2	B3	D	DNA	DNM	IE2		IE3		IE2		IE3		
															L	WEIGHT kg	L	WEIGHT kg	L	WEIGHT kg	L		WEIGHT kg
KDN 125-250	5.5	140	90	80	250	355	330	1250	840	540	490	24x4	150	125	1144	274	-	-	1285	274	-	-	6
	7.5	140	90	80	250	355	330	1250	840	540	490	24x4	150	125	1144	283	1194	264	1285	298	1335	279	6
	11	140	90	80	250	355	330	1250	840	540	490	24x4	150	125	1289	327	1339	301	1430	342	1480	316	6
	15	140	90	100	250	355	350	1400	940	610	550	28x4	150	125	1344	362	1394	337	1485	377	1535	352	7
	18.5	140	90	100	250	355	350	1400	940	610	550	28x4	150	125	1364	403	1414	372	1505	418	1555	387	7
	22	140	90	100	250	355	350	1400	940	610	550	28x4	150	125	1402	421	1452	391	1543	436	1593	406	7

Dimension and electrical data based on sizing definition following the instructions on page 176.

KDN 125-330 - 4 POLES - STANDARDISED CENTRIFUGAL ELECTRIC PUMPS FOR AIR CONDITIONING, REFRIGERATION, IRRIGATION, DECANTING, PRESSURISATION SYSTEMS, AND INDUSTRIAL APPLICATIONS

Pumped liquid temperature range: from -10 °C to +120°C - Maximum ambient temperature: +40°C

= 1450 1/min



See hydraulic efficiency details on page 291.

The performance curves are based on kinematic viscosity values = 1 mm²/s and density equal to 1000 kg/m³. Curve tolerance according to ISO 9906.

MODEL	ELECTRICAL DATA					
	POWER (kW) 4 POLES	MOTOR SIZE	POWER INPUT 50 Hz	In A		MOTOR TYPE
				IE2	IE3	
KDN 125-330	11	160M	3 x 400 V - Δ	21.6	20.5	IE2 / IE3
	15	160L	3 x 400 V - Δ	29	28	IE2 / IE3
	18.5	180M	3 x 400 V - Δ	33	34	IE2 / IE3
	22	180L	3 x 400 V - Δ	40	40.5	IE2 / IE3
	30	200L	3 x 400 V - Δ	53.5	53.5	IE2 / IE3
	37	225S	3 x 400 V - Δ	66.5	65	IE2 / IE3

MODEL	POWER (kW)	UNIT DIMENSIONS (mm)										FLANGE DIMENSIONS (mm)		STANDARD COUPLING				SPACER COUPLING				REF.	
		A	A2	H	H1	H2	H3	L1	L3	B2	B3	D	DNA	DNM	IE2		IE3		IE2		IE3		
		L	WEIGHT kg	L	WEIGHT kg	L	WEIGHT kg	L	WEIGHT kg	L	WEIGHT kg	L	WEIGHT kg	L	WEIGHT kg	L	WEIGHT kg	L	WEIGHT kg	L	WEIGHT kg		
KDN 125-330	11	140	110	100	280	355	380	1600	1060	660	600	28x4	150	125	1289	413	1339	387	1430	428	1480	402	8
	15	140	110	100	280	355	380	1600	1060	660	600	28x4	150	125	1344	429	1394	404	1485	444	1535	419	8
	18.5	140	110	100	280	355	380	1600	1060	660	600	28x4	150	125	1364	470	1414	439	1505	485	1555	454	8
	22	140	110	100	280	355	380	1600	1060	660	600	28x4	150	125	1402	488	1452	458	1543	503	1593	473	8
	30	140	110	100	280	355	380	1600	1060	660	600	28x4	150	125	1444	552	1494	552	1585	567	1635	567	8
	37	140	110	100	280	355	380	1600	1060	660	600	28x4	150	125	1489	601	1560	607	1630	616	1701	622	8

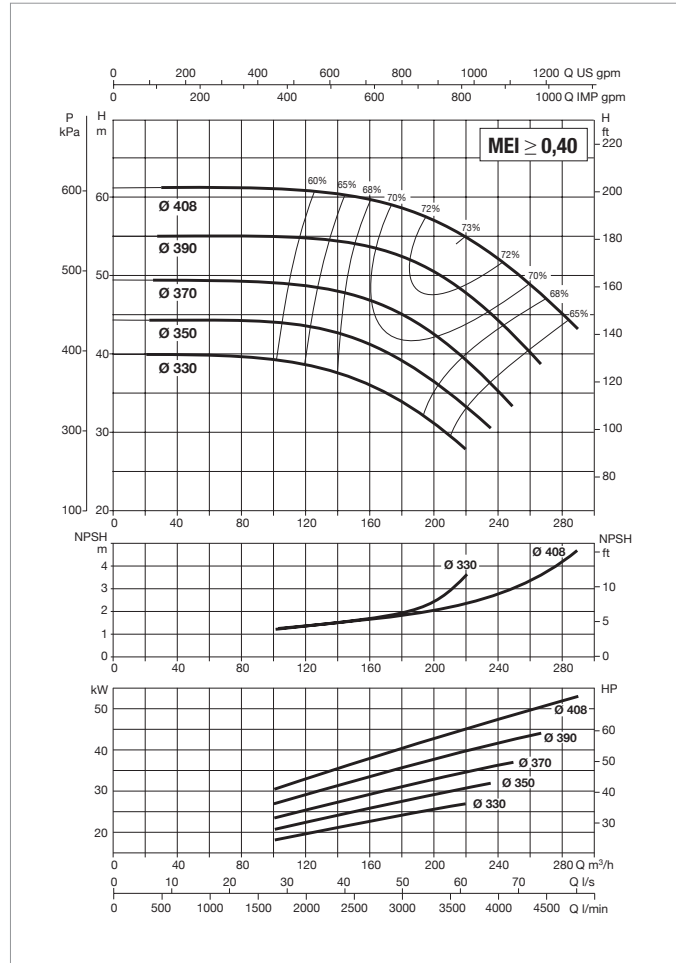
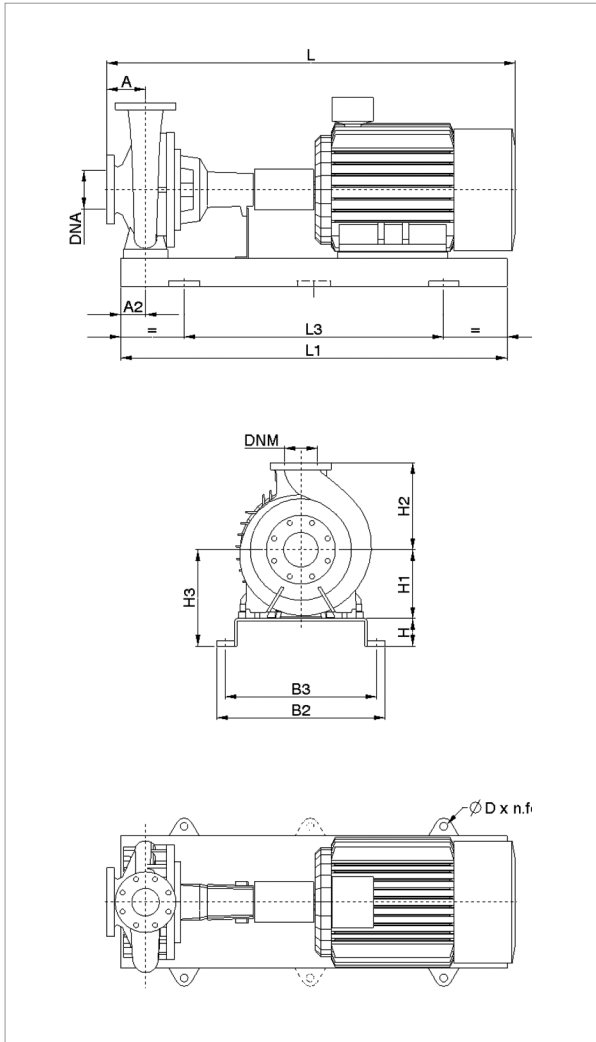
Dimension and electrical data based on sizing definition following the instructions on page 176.



KDN 125-400 - 4 POLES - STANDARDISED CENTRIFUGAL ELECTRIC PUMPS FOR AIR CONDITIONING, REFRIGERATION, IRRIGATION, DECANTING, PRESSURISATION SYSTEMS, AND INDUSTRIAL APPLICATIONS

Pumped liquid temperature range: from -10 °C to +120°C - Maximum ambient temperature: +40°C

= 1450 1/min



See hydraulic efficiency details on page 291.

The performance curves are based on kinematic viscosity values = 1 mm²/s and density equal to 1000 kg/m³. Curve tolerance according to ISO 9906.

MODEL	ELECTRICAL DATA					
	POWER (kW)	MOTOR SIZE	POWER INPUT 50 Hz	In A		MOTOR TYPE
	4 POLES			IE2	IE3	
KDN 125-400	18.5	180M	3 x 400 V - Δ	33	34	IE2 / IE3
	22	180L	3 x 400 V - Δ	40	40.5	IE2 / IE3
	30	200L	3 x 400 V - Δ	53.5	53.5	IE2 / IE3
	37	225S	3 x 400 V - Δ	66.5	65	IE2 / IE3
	45	225M	3 x 400 V - Δ	79.5	78.5	IE2 / IE3
	55	250M	3 x 400 V - Δ	98	96	IE2 / IE3
	75	280S	3 x 400 V - Δ	132	130	IE2 / IE3

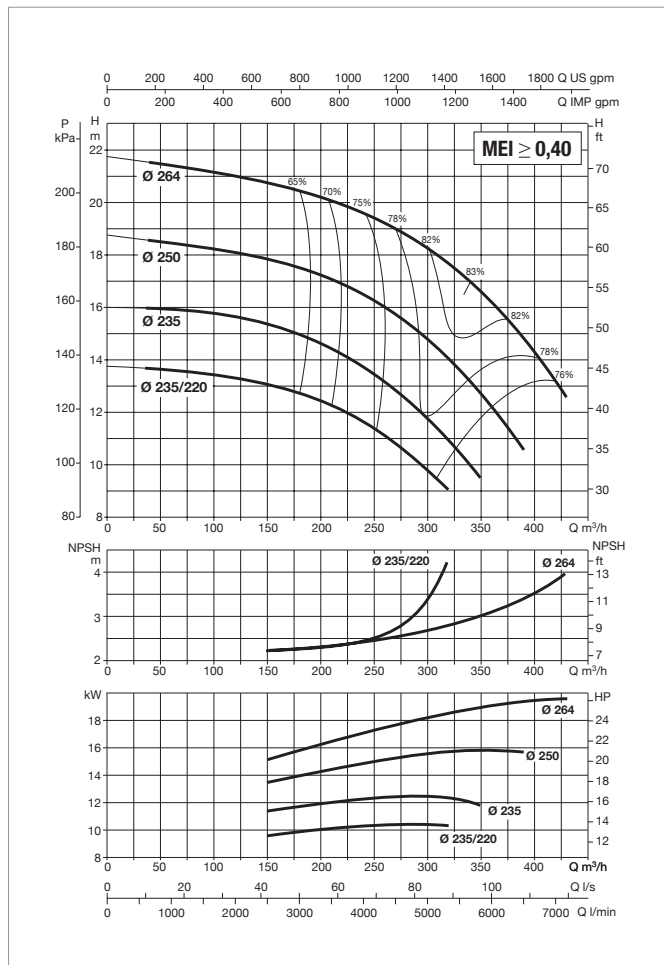
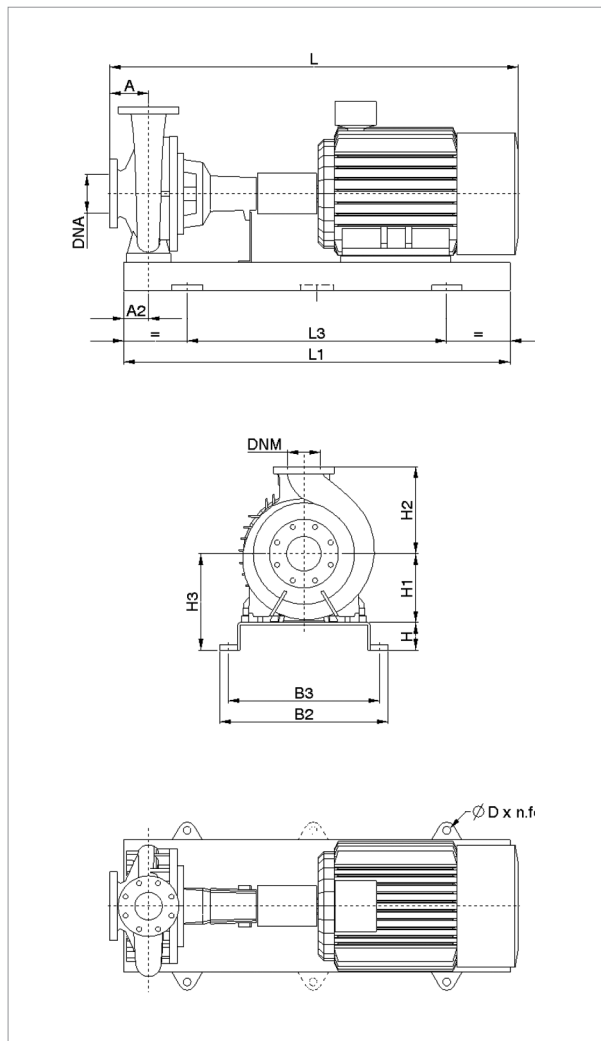
MODEL	POWER (kW)	UNIT DIMENSIONS (mm)										FLANGE DIMENSIONS (mm)		STANDARD COUPLING				SPACER COUPLING				REF.	
		A	A2	H	H1	H2	H3	L1	L3	B2	B3	D	DNA	DNM	IE2		IE3		IE2		IE3		
		L	WEIGHT kg	L	WEIGHT kg	L	WEIGHT kg	L	WEIGHT kg	L	WEIGHT kg	L	WEIGHT kg	L	WEIGHT kg	L	WEIGHT kg	L	WEIGHT kg	L	WEIGHT kg		
KDN 125-400	18.5	140	110	100	315	400	415	1600	1060	660	600	28x4	150	125	1364	500	1414	469	1505	515	1555	484	8
	22	140	110	100	315	400	415	1600	1060	660	600	28x4	150	125	1402	518	1452	488	1543	533	1593	503	8
	30	140	110	100	315	400	415	1600	1060	660	600	28x4	150	125	1444	582	1494	582	1585	597	1635	597	8
	37	140	110	100	315	400	415	1600	1060	660	600	28x4	150	125	1489	631	1560	637	1630	646	1701	652	8
	45	140	110	100	315	400	415	1600	1060	660	600	28x4	150	125	1519	647	1590	667	1660	662	1731	682	8
	55	140	110	100	315	400	415	1600	1060	660	600	28x4	150	125	1589	759	1660	774	1730	774	1801	789	8
	75	140	110	100	315	400	415	1800	1200	730	670	28x4	150	125	1644	962	1715	962	1785	977	1856	977	9

Dimension and electrical data based on sizing definition following the instructions on page 176.

KDN 150-250 - 4 POLES - STANDARDISED CENTRIFUGAL ELECTRIC PUMPS FOR AIR CONDITIONING, REFRIGERATION, IRRIGATION, DECANTING, PRESSURISATION SYSTEMS, AND INDUSTRIAL APPLICATIONS

Pumped liquid temperature range: from -10 °C to +120°C - Maximum ambient temperature: +40°C

= 1450 1/min



See hydraulic efficiency details on page 291.

The performance curves are based on kinematic viscosity values = 1 mm²/s and density equal to 1000 kg/m³. Curve tolerance according to ISO 9906.

MODEL	ELECTRICAL DATA					
	POWER (kW) 4 POLES	MOTOR SIZE	POWER INPUT 50 Hz	In A		MOTOR TYPE
				IE2	IE3	
KDN 150-250	11	160M	3 x 400 V - Δ	21.6	20.5	IE2 / IE3
	15	160L	3 x 400 V - Δ	29	28	IE2 / IE3
	18.5	180M	3 x 400 V - Δ	33	34	IE2 / IE3
	22	180L	3 x 400 V - Δ	40	40.5	IE2 / IE3
	30	200L	3 x 400 V - Δ	53.5	53.5	IE2 / IE3

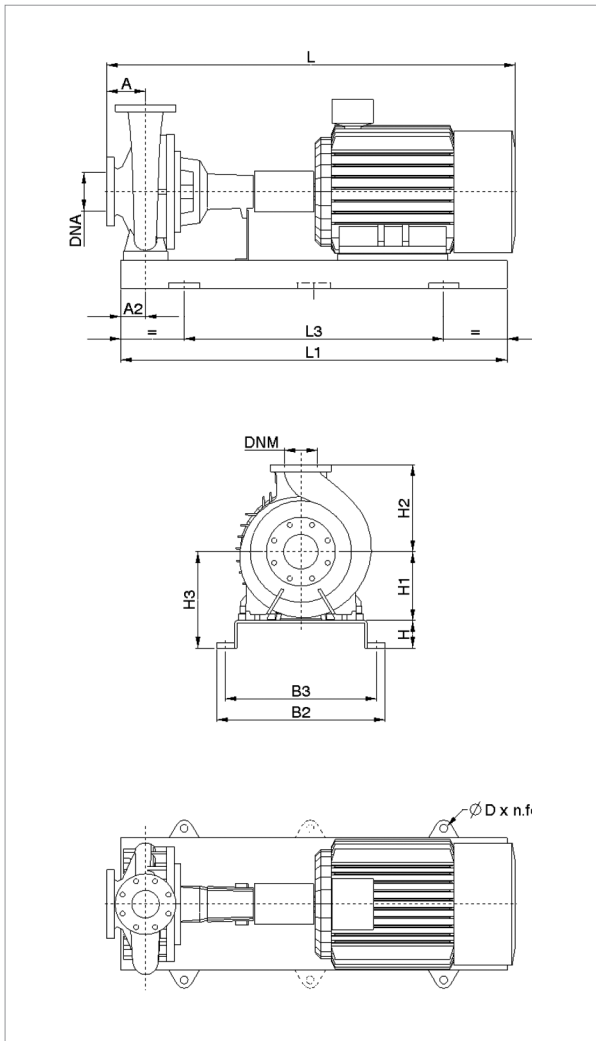
MODEL	POWER (kW)	UNIT DIMENSIONS (mm)										FLANGE DIMENSIONS (mm)		STANDARD COUPLING				SPACER COUPLING				REF.	
		A	A2	H	H1	H2	H3	L1	L3	B2	B3	D	DNA	DNM	IE2		IE3		IE2		IE3		
															L	WEIGHT kg	L	WEIGHT kg	L	WEIGHT kg	L		WEIGHT kg
KDN 150-250	11	160	110	100	280	375	380	1600	1060	660	600	28x4	200	150	1309	403	1359	377	1490	418	1540	392	8
	15	160	110	100	280	375	380	1600	1060	660	600	28x4	200	150	1364	419	1414	394	1545	434	1595	409	8
	18.5	160	110	100	280	375	380	1600	1060	660	600	28x4	200	150	1384	460	1434	429	1565	475	1615	444	8
	22	160	110	100	280	375	380	1600	1060	660	600	28x4	200	150	1422	478	1472	448	1603	493	1653	463	8
	30	160	110	100	280	375	380	1600	1060	660	600	28x4	200	150	1464	542	1514	542	1645	557	1695	557	8

Dimension and electrical data based on sizing definition following the instructions on page 176.

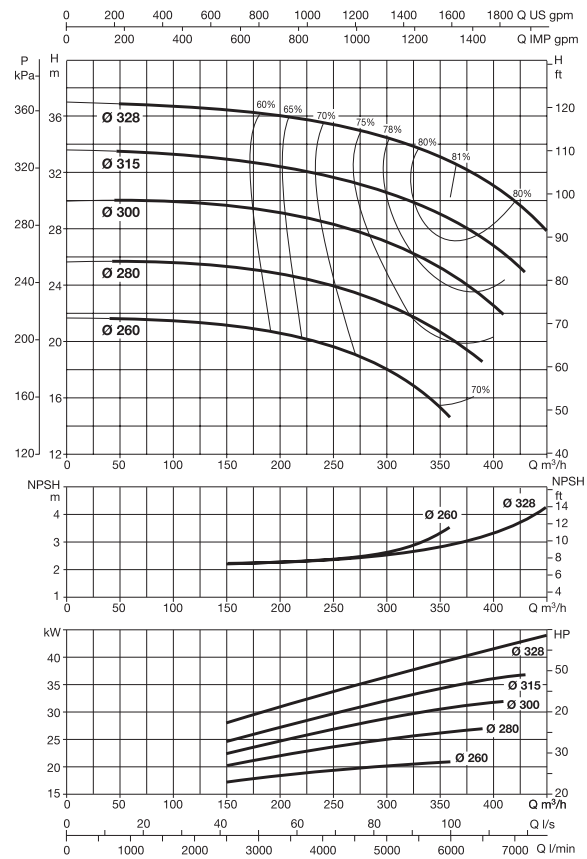
KDN 150-330 - 4 POLES - STANDARDISED CENTRIFUGAL ELECTRIC PUMPS FOR AIR CONDITIONING, REFRIGERATION, IRRIGATION, DECANTING, PRESSURISATION SYSTEMS, AND INDUSTRIAL APPLICATIONS

Pumped liquid temperature range: from -10 °C to +120°C - Maximum ambient temperature: +40°C

= 1450 1/min



* Only for markets outside the EU.



See hydraulic efficiency details on page 291.

The performance curves are based on kinematic viscosity values = 1 mm²/s and density equal to 1000 kg/m³. Curve tolerance according to ISO 9906.

MODEL	ELECTRICAL DATA					
	POWER (kW) 4 POLES	MOTOR SIZE	POWER INPUT 50 Hz	In A		MOTOR TYPE
				IE2	IE3	
KDN 150-330	18.5	180M	3 x 400 V - Δ	33	34	IE2 / IE3
	22	180L	3 x 400 V - Δ	40	40.5	IE2 / IE3
	30	200L	3 x 400 V - Δ	53.5	53.5	IE2 / IE3
	37	225S	3 x 400 V - Δ	66.5	65	IE2 / IE3
	45	225M	3 x 400 V - Δ	79.5	78.5	IE2 / IE3
	55	250M	3 x 400 V - Δ	98	96	IE2 / IE3

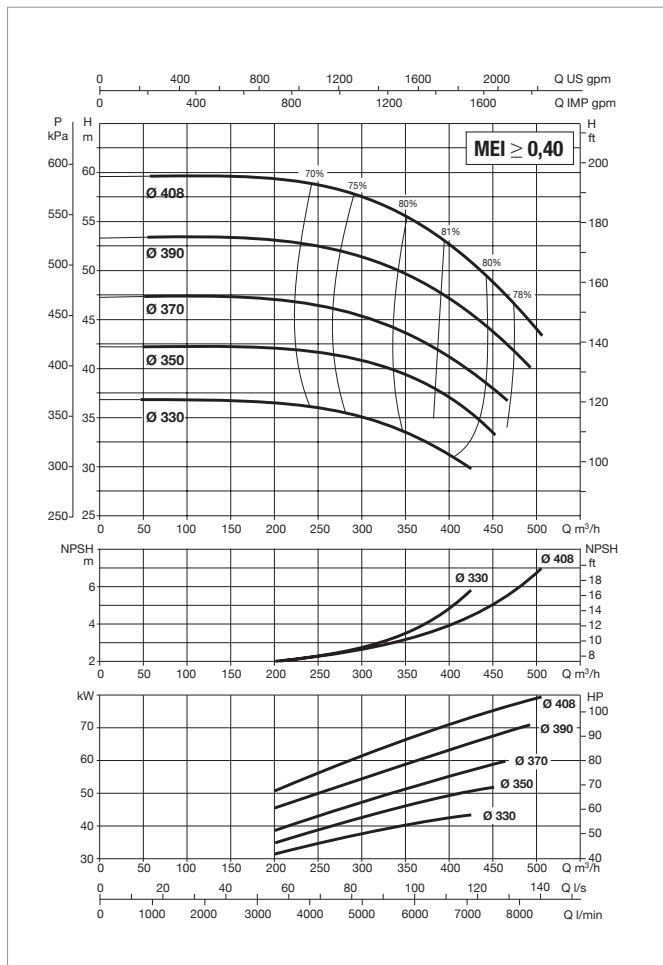
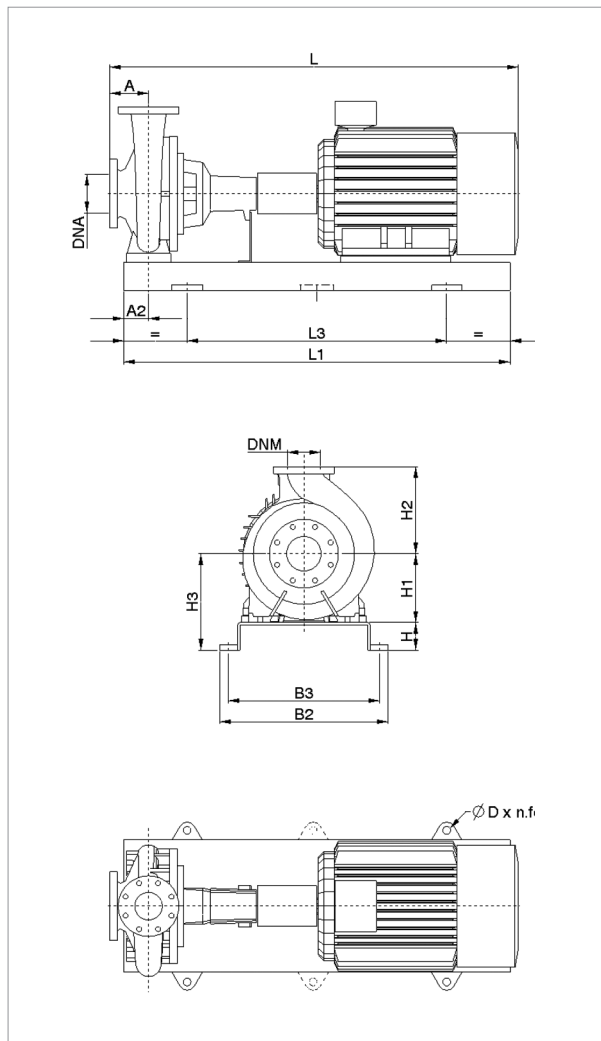
MODEL	POWER (kW)	UNIT DIMENSIONS (mm)											FLANGE DIMENSIONS (mm)		STANDARD COUPLING			SPACER COUPLING			REF.		
		A	A2	H	H1	H2	H3	L1	L3	B2	B3	D	DNA	DNM	IE2		IE3		IE2			IE3	
															L	WEIGHT kg	L	WEIGHT kg	L	WEIGHT kg		L	WEIGHT kg
KDN 150-330	18.5	160	110	100	315	400	415	1800	1200	730	670	28x4	200	150	1524	621	1574	590	1705	636	1755	605	9
	22	160	110	100	315	400	415	1800	1200	730	670	28x4	200	150	1562	639	1612	609	1743	654	1793	624	9
	30	160	110	100	315	400	415	1800	1200	730	670	28x4	200	150	1604	703	1654	703	1785	718	1835	718	9
	37	160	110	100	315	400	415	1800	1200	730	670	28x4	200	150	1649	752	1720	758	1830	767	1901	773	9
	45	160	110	100	315	400	415	1800	1200	730	670	28x4	200	150	1679	768	1750	788	1860	783	1931	803	9
	55	160	110	100	315	400	415	1800	1200	730	670	28x4	200	150	1749	880	1820	895	1930	895	2001	910	9

Dimension and electrical data based on sizing definition following the instructions on page 176.

KDN 150-400 - 4 POLES - STANDARDISED CENTRIFUGAL ELECTRIC PUMPS FOR AIR CONDITIONING, REFRIGERATION, IRRIGATION, DECANTING, PRESSURISATION SYSTEMS, AND INDUSTRIAL APPLICATIONS

Pumped liquid temperature range: from -10 °C to +120°C - Maximum ambient temperature: +40°C

= 1450 1/min



See hydraulic efficiency details on page 291.

The performance curves are based on kinematic viscosity values = 1 mm²/s and density equal to 1000 kg/m³. Curve tolerance according to ISO 9906.

MODEL	ELECTRICAL DATA					
	POWER (kW) 4 POLES	MOTOR SIZE	POWER INPUT 50 Hz	In A		MOTOR TYPE
				IE2	IE3	
KDN 150-400	37	225S	3 x 400 V - Δ	66.5	65	IE2 / IE3
	45	225M	3 x 400 V - Δ	79.5	78.5	IE2 / IE3
	55	250M	3 x 400 V - Δ	98	96	IE2 / IE3
	75	280S	3 x 400 V - Δ	132	130	IE2 / IE3
	90	280M	3 x 400 V - Δ	154	156	IE2 / IE3
	110	315S	3 x 400 V - Δ	195	190	IE2 / IE3

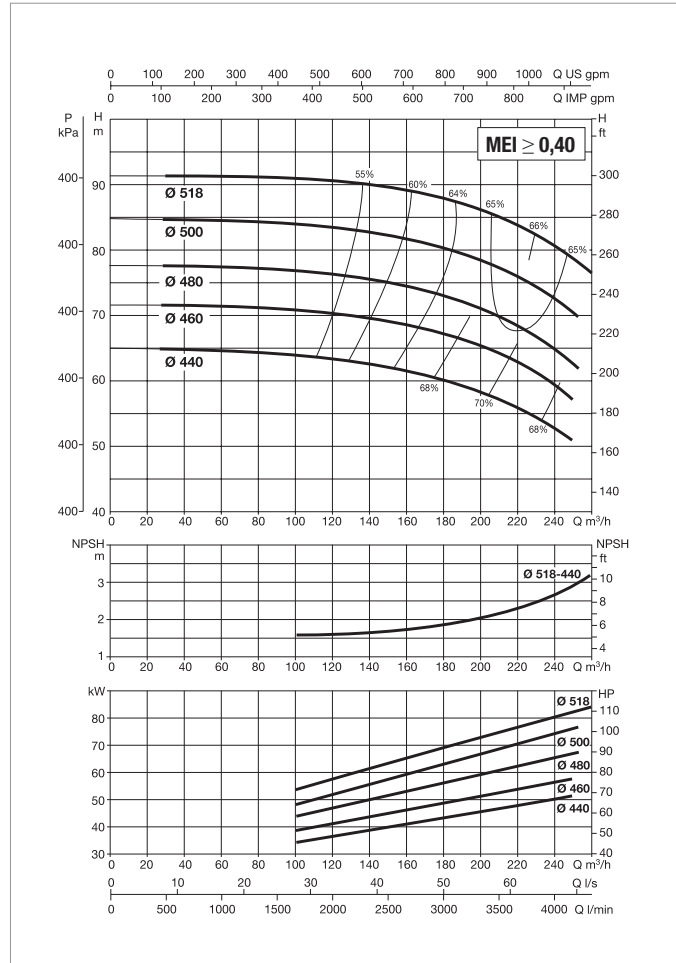
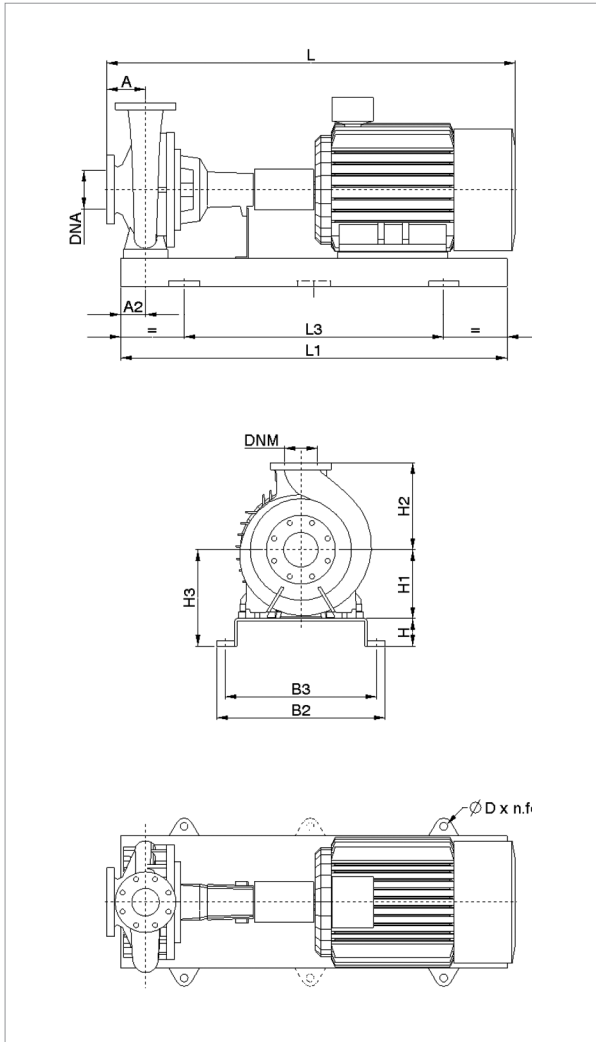
MODEL	POWER (kW)	UNIT DIMENSIONS (mm)											FLANGE DIMENSIONS (mm)		STANDARD COUPLING				SPACER COUPLING				REF.
		A	A2	H	H1	H2	H3	L1	L3	B2	B3	D	DNA	DNM	IE2		IE3		IE2		IE3		
															L	WEIGHT kg	L	WEIGHT kg	L	WEIGHT kg	L	WEIGHT kg	
KDN 150-400	37	160	110	100	315	450	415	1800	1200	730	670	28x4	200	150	1649	795	1720	801	1830	810	1901	816	9
	45	160	110	100	315	450	415	1800	1200	730	670	28x4	200	150	1679	811	1750	831	1860	826	1931	846	9
	55	160	110	100	315	450	415	1800	1200	730	670	28x4	200	150	1749	923	1820	938	1930	938	2001	953	9
	75	160	110	100	315	450	415	1800	1200	730	670	28x4	200	150	1804	1040	1875	1040	1985	1055	2056	1055	9
	90	160	110	100	315	450	415	1800	1200	730	670	28x4	200	150	1854	1160	1925	1145	2035	1175	2106	1160	9
	110	160	110	120	315	450	435	2000	1340	910	830	28x4	200	150	2104	1460	2175	1595	2285	1475	2356	1610	10

Dimension and electrical data based on sizing definition following the instructions on page 176.

KDN 150-550A - 4 POLES - STANDARDISED CENTRIFUGAL ELECTRIC PUMPS FOR AIR CONDITIONING, REFRIGERATION, IRRIGATION, DECANTING, PRESSURISATION SYSTEMS, AND INDUSTRIAL APPLICATIONS

Pumped liquid temperature range: from -10 °C to +120°C - Maximum ambient temperature: +40°C

= 1450 1/min



See hydraulic efficiency details on page 291.

The performance curves are based on kinematic viscosity values = 1 mm²/s and density equal to 1000 kg/m³. Curve tolerance according to ISO 9906.

MODEL	ELECTRICAL DATA					
	POWER (kW) 4 POLES	MOTOR SIZE	POWER INPUT 50 Hz	In A		MOTOR TYPE
				IE2	IE3	
KDN 150-550A	37	225S	3 x 400 V - Δ	66.5	65	IE2 / IE3
	45	225M	3 x 400 V - Δ	79.5	78.5	IE2 / IE3
	55	250M	3 x 400 V - Δ	98	96	IE2 / IE3
	75	280S	3 x 400 V - Δ	132	130	IE2 / IE3
	90	280M	3 x 400 V - Δ	154	156	IE2 / IE3
	110	315S	3 x 400 V - Δ	195	190	IE2 / IE3

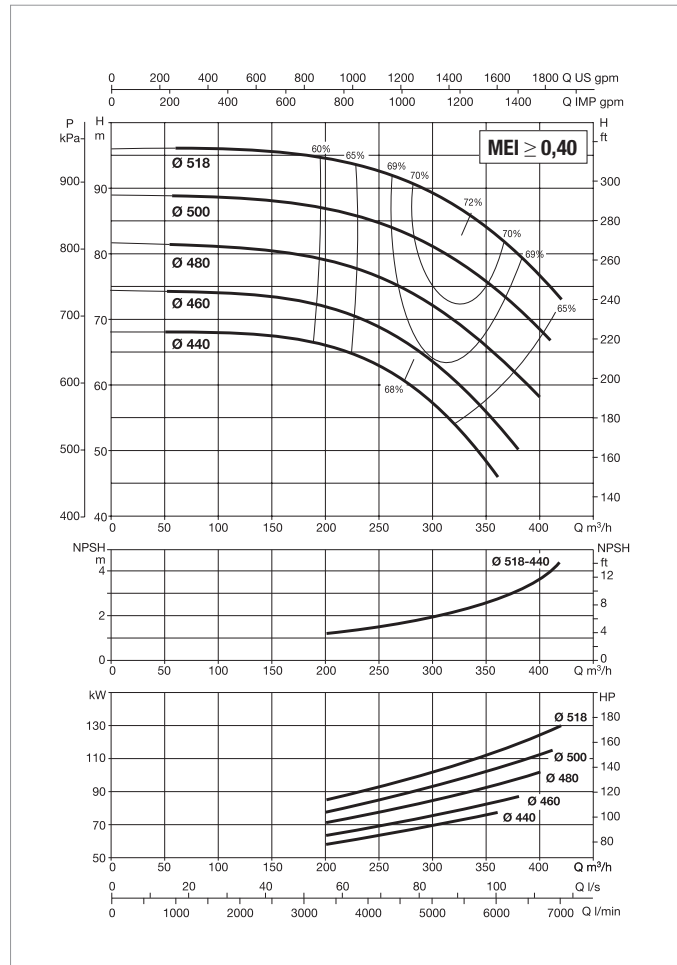
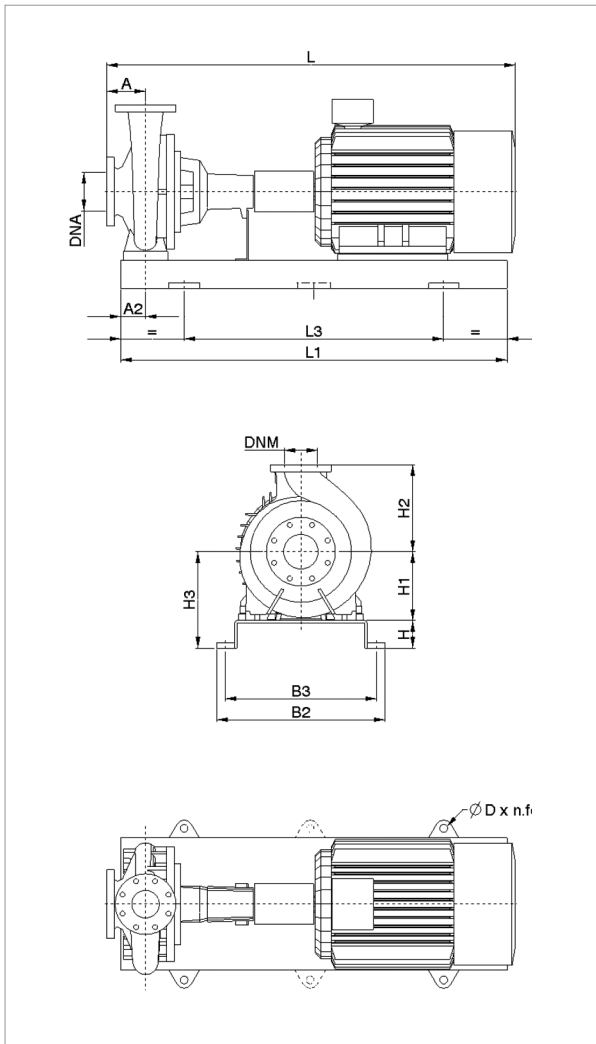
MODEL	POWER (kW)	UNIT DIMENSIONS (mm)											FLANGE DIMENSIONS (mm)		STANDARD COUPLING				SPACER COUPLING				REF.
		A	A2	H	H1	H2	H3	L1	L3	B2	B3	D	DNA	DNM	IE2		IE3		IE2		IE3		
															L	WEIGHT kg	L	WEIGHT kg	L	WEIGHT kg	L	WEIGHT kg	
KDN 150-550A	37	180	110	100	355	500	455	1800	1200	730	670	28x4	200	150	1669	907	1740	913	1850	922	1921	928	9
	45	180	110	100	355	500	455	1800	1200	730	670	28x4	200	150	1699	923	1770	943	1880	938	1951	958	9
	55	180	110	100	355	500	455	1800	1200	730	670	28x4	200	150	1769	1035	1840	1050	1950	1050	2021	1065	9
	75	180	110	100	355	500	455	1800	1200	730	670	28x4	200	150	1824	1152	1895	1152	2005	1167	2076	1167	9
	90	180	110	100	355	500	455	1800	1200	730	670	28x4	200	150	1874	1272	1945	1257	2055	1287	2126	1272	9
	110	180	110	120	355	500	475	2000	1340	910	830	28x4	200	150	2124	1572	2195	1707	2305	1587	2376	1722	10

Dimension and electrical data based on sizing definition following the instructions on page 176.

KDN 150-500 - 4 POLES - STANDARDISED CENTRIFUGAL ELECTRIC PUMPS FOR AIR CONDITIONING, REFRIGERATION, IRRIGATION, DECANTING, PRESSURISATION SYSTEMS, AND INDUSTRIAL APPLICATIONS

Pumped liquid temperature range: from -10 °C to +120°C - Maximum ambient temperature: +40°C

= 1450 1/min



See hydraulic efficiency details on page 291.

The performance curves are based on kinematic viscosity values = 1 mm²/s and density equal to 1000 kg/m³. Curve tolerance according to ISO 9906.

MODEL	ELECTRICAL DATA					
	POWER (kW)	MOTOR SIZE	POWER INPUT 50 Hz	In A		MOTOR TYPE
	4 POLES			IE2	IE3	
KDN 150-500	75	280S	3 x 400 V - Δ	132	130	IE2 / IE3
	90	280M	3 x 400 V - Δ	154	156	IE2 / IE3
	110	315S	3 x 400 V - Δ	195	190	IE2 / IE3
	132	315M	3 x 400 V - Δ	235	230	IE2 / IE3
	160	315L	3 x 400 V - Δ	285	275	IE2 / IE3
	200	315L	3 x 400 V - Δ	350	340	IE2 / IE3
	250	355	3 x 400 V - Δ	425	420	IE2 / IE3

MODEL	POWER (kW)	UNIT DIMENSIONS (mm)										FLANGE DIMENSIONS (mm)			STANDARD COUPLING				SPACER COUPLING				REF.
		A	A2	H	H1	H2	H3	L1	L3	B2	B3	D	DNA	DNM	IE2		IE3		IE2		IE3		
		L	WEIGHT kg	L	WEIGHT kg	L	WEIGHT kg	L	WEIGHT kg	L	WEIGHT kg	L	WEIGHT kg	L	WEIGHT kg	L	WEIGHT kg	L	WEIGHT kg	L	WEIGHT kg		
KDN 150-500	75	180	110	100	355	500	455	1800	1200	730	670	28x4	200	150	1824	1152	1895	1152	2005	1167	2076	1167	9
	90	180	110	100	355	500	455	1800	1200	730	670	28x4	200	150	1874	1272	1945	1257	2055	1287	2126	1272	9
	110	180	110	120	355	500	475	2000	1340	910	830	28x4	200	150	2124	1572	2212	1707	2305	1587	2393	1722	10
	132	180	120	205	355	500	560	1770	1170	715	670	20x4	200	150	2234	1705	2322	1780	2415	1720	2503	1795	13
	160	180	120	205	355	500	560	1770	1170	715	670	20x4	200	150	2234	1795	2322	1860	2415	1810	2503	1875	13
	200	180	120	205	355	500	560	1770	1170	715	670	20x4	200	150	2234	1955	2322	1955	2415	1970	2503	1970	13
	250	180	120	205	355	500	560	2000	1400	960	915	20x4	200	150	2354	730	2442	(*)	2535	745	2623	(*)	14

Dimension and electrical data based on sizing definition following the instructions on page 176.

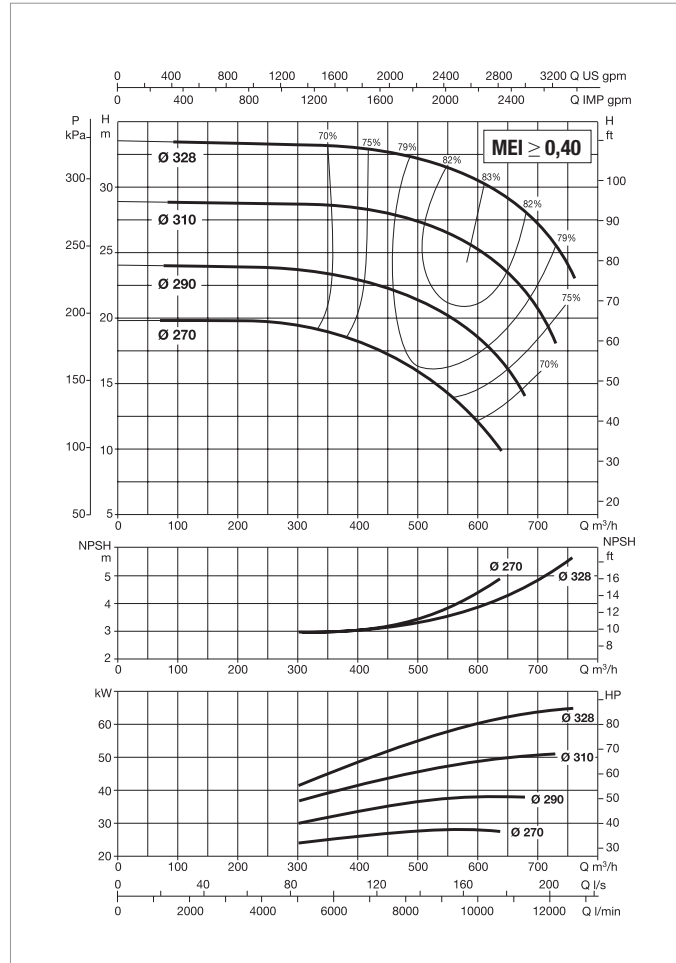
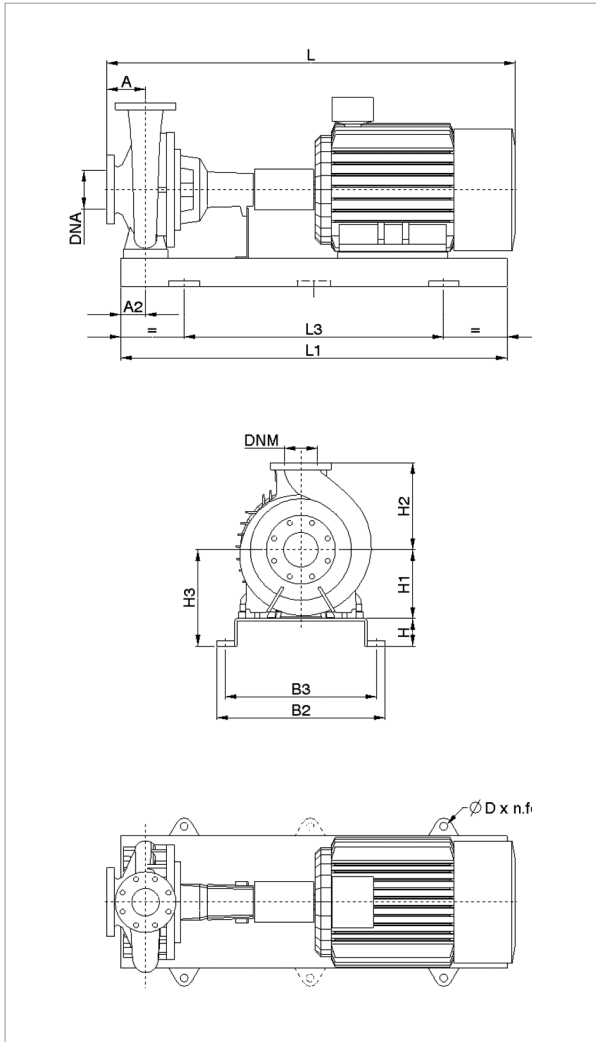
(*) Data on request.



KDN 200-330 - 4 POLES - STANDARDISED CENTRIFUGAL ELECTRIC PUMPS FOR AIR CONDITIONING, REFRIGERATION, IRRIGATION, DECANTING, PRESSURISATION SYSTEMS, AND INDUSTRIAL APPLICATIONS

Pumped liquid temperature range: from -10 °C to +120°C - Maximum ambient temperature: +40°C

= 1450 1/min



See hydraulic efficiency details on page 291.

The performance curves are based on kinematic viscosity values = 1 mm²/s and density equal to 1000 kg/m³. Curve tolerance according to ISO 9906.

MODEL	ELECTRICAL DATA					
	POWER (kW) 4 POLES	MOTOR SIZE	POWER INPUT 50 Hz	In A		MOTOR TYPE
				IE2	IE3	
KDN 200-330	30	200L	3 x 400 V - Δ	53.5	53.5	IE2 / IE3
	37	225S	3 x 400 V - Δ	66.5	65	IE2 / IE3
	45	225M	3 x 400 V - Δ	79.5	78.5	IE2 / IE3
	55	250M	3 x 400 V - Δ	98	96	IE2 / IE3
	75	280S	3 x 400 V - Δ	132	130	IE2 / IE3
	90	280M	3 x 400 V - Δ	154	156	IE2 / IE3

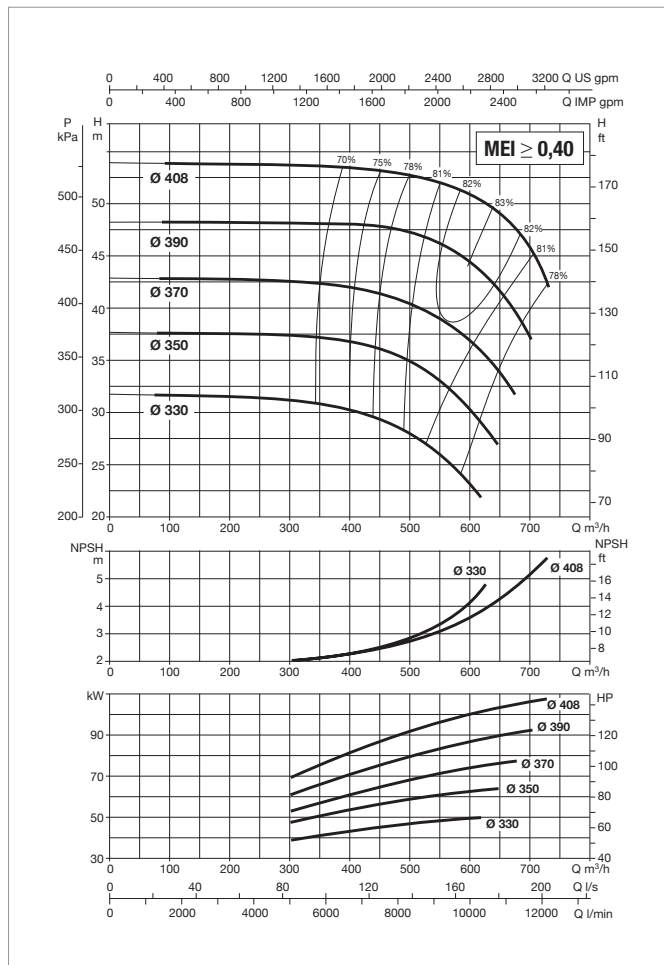
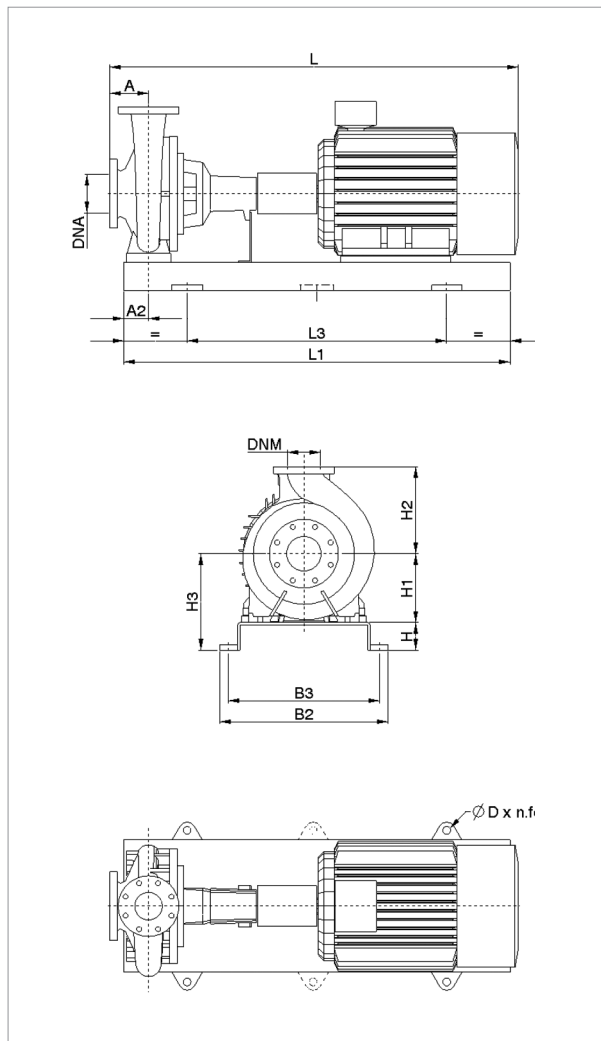
MODEL	POWER (kW)	UNIT DIMENSIONS (mm)										FLANGE DIMENSIONS (mm)		STANDARD COUPLING				SPACER COUPLING				REF.	
		A	A2	H	H1	H2	H3	L1	L3	B2	B3	D	DNA	DNM	IE2		IE3		IE2		IE3		
															L	WEIGHT kg	L	WEIGHT kg	L	WEIGHT kg	L		WEIGHT kg
KDN 200-330	30	200	110	100	355	450	455	1800	1200	730	670	28x4	250	200	1644	808	1694	808	1825	823	1875	823	9
	37	200	110	100	355	450	455	1800	1200	730	670	28x4	250	200	1689	857	1760	814	1870	872	1941	829	9
	45	200	110	100	355	450	455	1800	1200	730	670	28x4	250	200	1719	873	1790	877	1900	888	1971	892	9
	55	200	110	100	355	450	455	1800	1200	730	670	28x4	250	200	1789	985	1860	888	1970	1000	2041	903	9
	75	200	110	100	355	450	455	1800	1200	730	670	28x4	250	200	1844	1102	1915	985	2025	1117	2096	1000	9
	90	200	110	100	355	450	455	1800	1200	730	670	28x4	250	200	1894	1222	1965	1087	2075	1237	2146	1102	9

Dimension and electrical data based on sizing definition following the instructions on page 176.

KDN 200-400 - 4 POLES - STANDARDISED CENTRIFUGAL ELECTRIC PUMPS FOR AIR CONDITIONING, REFRIGERATION, IRRIGATION, DECANTING, PRESSURISATION SYSTEMS, AND INDUSTRIAL APPLICATIONS

Pumped liquid temperature range: from -10 °C to +120°C - Maximum ambient temperature: +40°C

= 1450 1/min



See hydraulic efficiency details on page 291.

The performance curves are based on kinematic viscosity values = 1 mm²/s and density equal to 1000 kg/m³. Curve tolerance according to ISO 9906.

MODEL	ELECTRICAL DATA					
	POWER (kW)	MOTOR SIZE	POWER INPUT 50 Hz	In A		MOTOR TYPE
	4 POLES			IE2	IE3	
KDN 200-400	37	225S	3 x 400 V - Δ	66.5	65	IE2 / IE3
	45	225M	3 x 400 V - Δ	79.5	78.5	IE2 / IE3
	55	250M	3 x 400 V - Δ	98	96	IE2 / IE3
	75	280S	3 x 400 V - Δ	132	130	IE2 / IE3
	90	280M	3 x 400 V - Δ	154	156	IE2 / IE3
	110	315S	3 x 400 V - Δ	195	190	IE2 / IE3
	132	315M	3 x 400 V - Δ	235	230	IE2 / IE3

MODEL	POWER (kW)	UNIT DIMENSIONS (mm)											FLANGE DIMENSIONS (mm)		STANDARD COUPLING				SPACER COUPLING				REF.
		A	A2	H	H1	H2	H3	L1	L3	B2	B3	D	DNA	DNM	IE2		IE3		IE2		IE3		
		L	WEIGHT kg	L	WEIGHT kg	L	WEIGHT kg	L	WEIGHT kg	L	WEIGHT kg	L	WEIGHT kg	L	WEIGHT kg	L	WEIGHT kg	L	WEIGHT kg	L	WEIGHT kg		
KDN 200-400	37	185	110	100	355	500	455	1800	1200	730	670	28x4	250	200	1674	887	1745	893	1855	902	1926	908	8
	45	185	110	100	355	500	455	1800	1200	730	670	28x4	250	200	1704	903	1775	923	1885	918	1956	938	8
	55	185	110	100	355	500	455	1800	1200	730	670	28x4	250	200	1774	1015	1845	1030	1955	1030	2026	1045	8
	75	185	110	100	355	500	455	1800	1200	730	670	28x4	250	200	1829	1132	1900	1132	2010	1147	2081	1147	8
	90	185	110	100	355	500	455	1800	1200	730	670	28x4	250	200	1879	1252	1950	1237	2060	1267	2131	1252	8
	110	185	110	120	355	500	475	2000	1340	910	830	28x4	250	200	2129	1552	2217	1687	2310	1567	2398	1702	8
	132	185	125	205	355	500	560	1770	1170	715	670	20x4	250	200	2239	1435	2327	1510	2420	1450	2508	1525	8

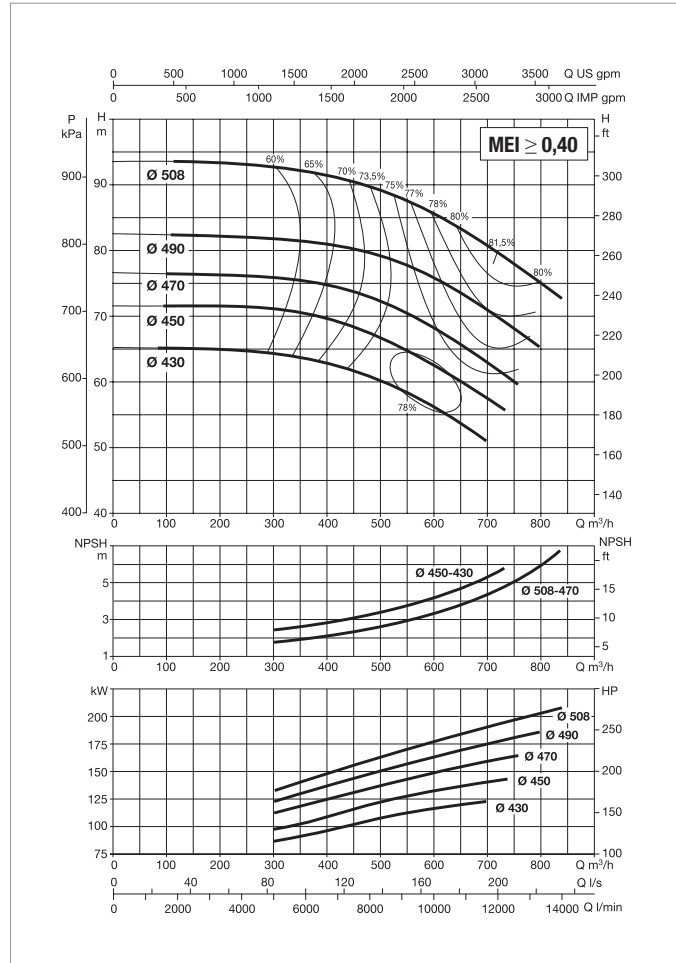
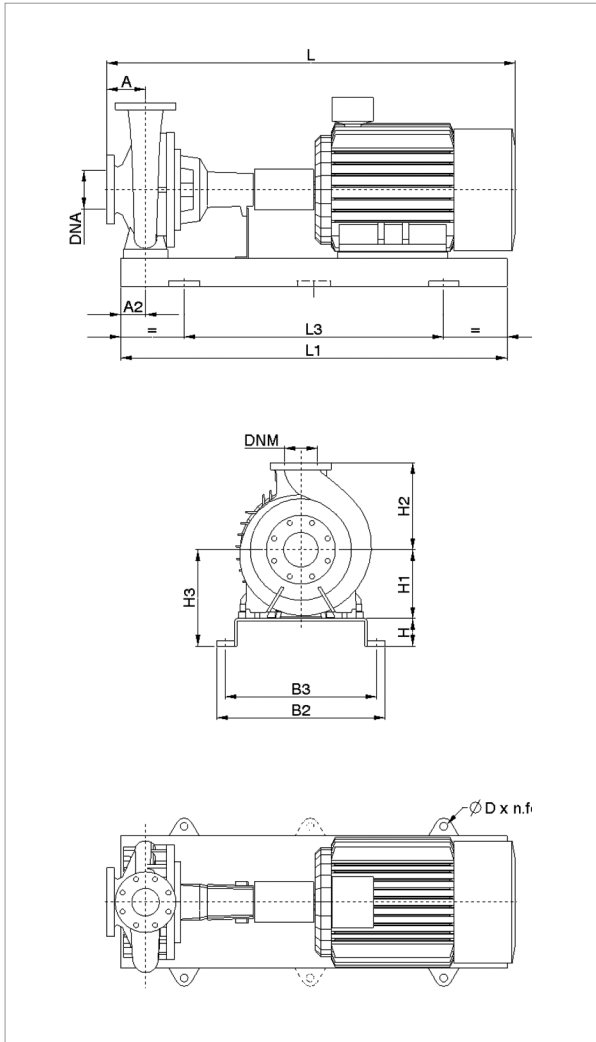
Dimension and electrical data based on sizing definition following the instructions on page 176.



KDN 200-500 - 4 POLES - STANDARDISED CENTRIFUGAL ELECTRIC PUMPS FOR AIR CONDITIONING, REFRIGERATION, IRRIGATION, DECANTING, PRESSURISATION SYSTEMS, AND INDUSTRIAL APPLICATIONS

Pumped liquid temperature range: from -10 °C to +120°C - Maximum ambient temperature: +40°C

= 1450 1/min



See hydraulic efficiency details on page 291.

The performance curves are based on kinematic viscosity values = 1 mm²/s and density equal to 1000 kg/m³. Curve tolerance according to ISO 9906.

MODEL	ELECTRICAL DATA					
	POWER (kW)	MOTOR SIZE	POWER INPUT 50 Hz	In A		MOTOR TYPE
	4 POLES			IE2	IE3	
KDN 200-500	75	280S	3 x 400 V - Δ	132	130	IE2 / IE3
	90	280M	3 x 400 V - Δ	154	156	IE2 / IE3
	110	315S	3 x 400 V - Δ	195	190	IE2 / IE3
	132	315M	3 x 400 V - Δ	235	230	IE2 / IE3
	160	315L	3 x 400 V - Δ	285	175	IE2 / IE3
	200	315L	3 x 400 V - Δ	350	340	IE2 / IE3
	250	355	3 x 400 V - Δ	425	420	IE2 / IE3

MODEL	POWER (kW)	UNIT DIMENSIONS (mm)										FLANGE DIMENSIONS (mm)		STANDARD COUPLING				SPACER COUPLING				
		A	A2	H	H1	H2	H3	L1	L3	B2	B3	D	DNA	DNM	IE2		IE3		IE2		IE3	
		L	WEIGHT kg	L	WEIGHT kg	L	WEIGHT kg	L	WEIGHT kg	L	WEIGHT kg	L	WEIGHT kg	L	WEIGHT kg	L	WEIGHT kg	L	WEIGHT kg	L	WEIGHT kg	
KDN 200-500	75	185	145	185	400	580	585	1650	1050	960	915	20x4	250	200	1935	1120	2006	1120	2115	1135	2186	1135
	90	185	145	185	400	580	585	1650	1050	960	915	20x4	250	200	1935	1120	2006	1105	2115	1135	2186	1120
	110	185	145	205	400	580	605	1800	1200	960	915	20x4	250	200	2025	1600	2113	1735	2205	1615	2293	1750
	132	185	145	205	400	580	605	1800	1200	960	915	20x4	250	200	2025	1600	2113	1675	2205	1615	2293	1690
	160	185	145	205	400	580	605	1800	1200	960	915	20x4	250	200	2025	1600	2113	1665	2205	1615	2293	1680
	200	185	145	205	400	580	605	1800	1200	960	915	20x4	250	200	2025	1600	2113	1600	2205	1615	2293	1615
	250	185	145	205	400	580	605	2050	1450	960	915	20x4	250	200	2355	1825	(*)	(*)	(*)	1840	(*)	(*)

Dimension and electrical data based on sizing definition following the instructions on page 176.

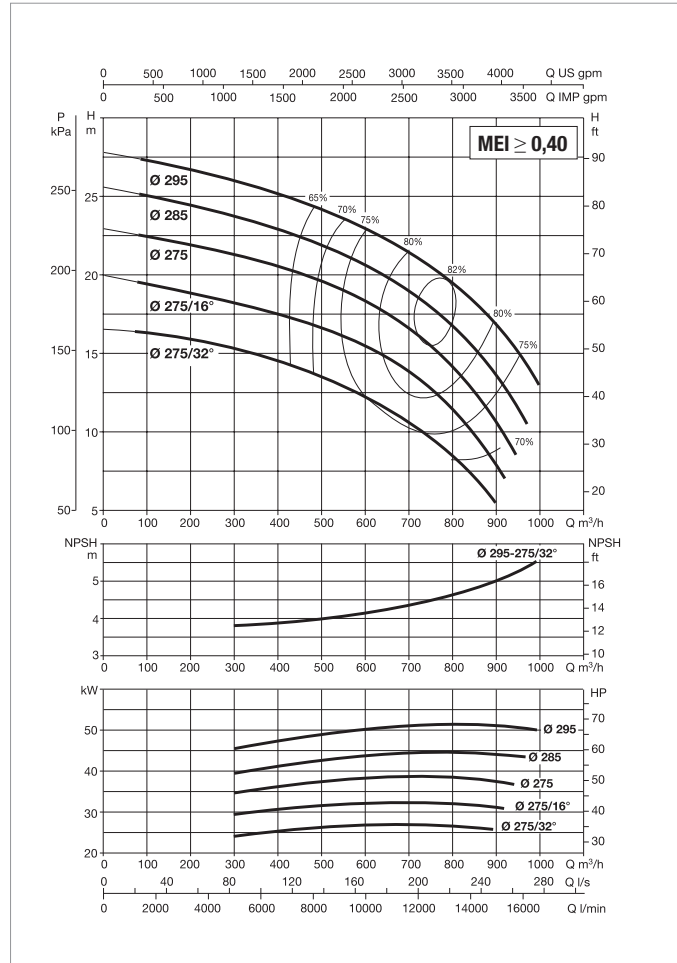
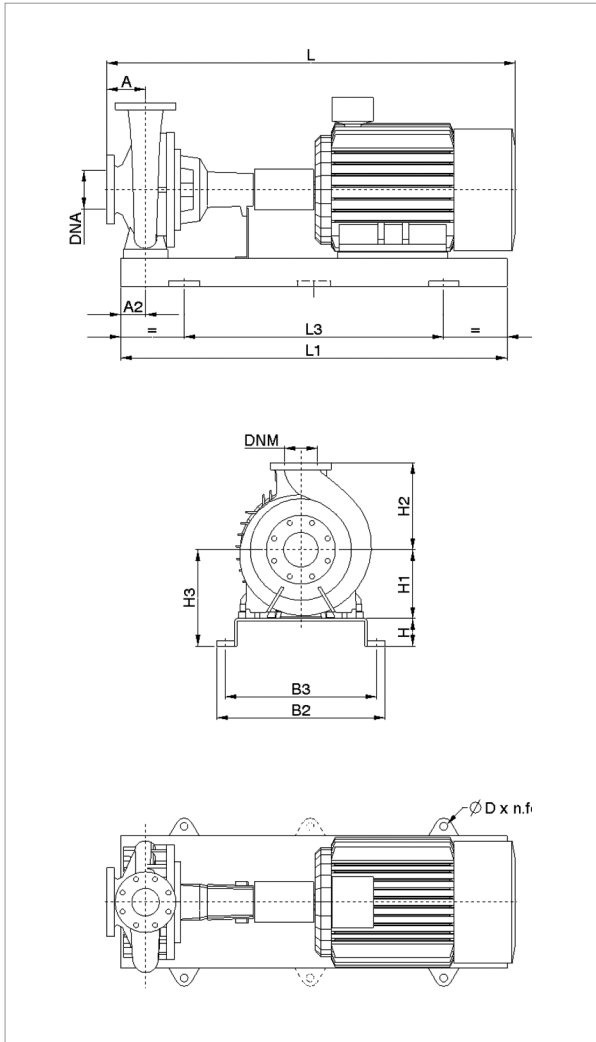
(*) Data on request.



KDN 250-330A - 4 POLES - STANDARDISED CENTRIFUGAL ELECTRIC PUMPS FOR AIR CONDITIONING, REFRIGERATION, IRRIGATION, DECANTING, PRESSURISATION SYSTEMS, AND INDUSTRIAL APPLICATIONS

Pumped liquid temperature range: from -10 °C to +120°C - Maximum ambient temperature: +40°C

= 1450 1/min



See hydraulic efficiency details on page 291.

The performance curves are based on kinematic viscosity values = 1 mm²/s and density equal to 1000 kg/m³. Curve tolerance according to ISO 9906.

MODEL	ELECTRICAL DATA					
	POWER (kW) 4 POLES	MOTOR SIZE	POWER INPUT 50 Hz	In A		MOTOR TYPE
				IE2	IE3	
KDN 250-330A	30	200L	3 x 400 V - Δ	53.5	53.5	IE2 / IE3
	37	225S	3 x 400 V - Δ	66.5	65	IE2 / IE3
	45	225M	3 x 400 V - Δ	79.5	78.5	IE2 / IE3
	55	250M	3 x 400 V - Δ	98	96	IE2 / IE3
	75	280S	3 x 400 V - Δ	132	130	IE2 / IE3

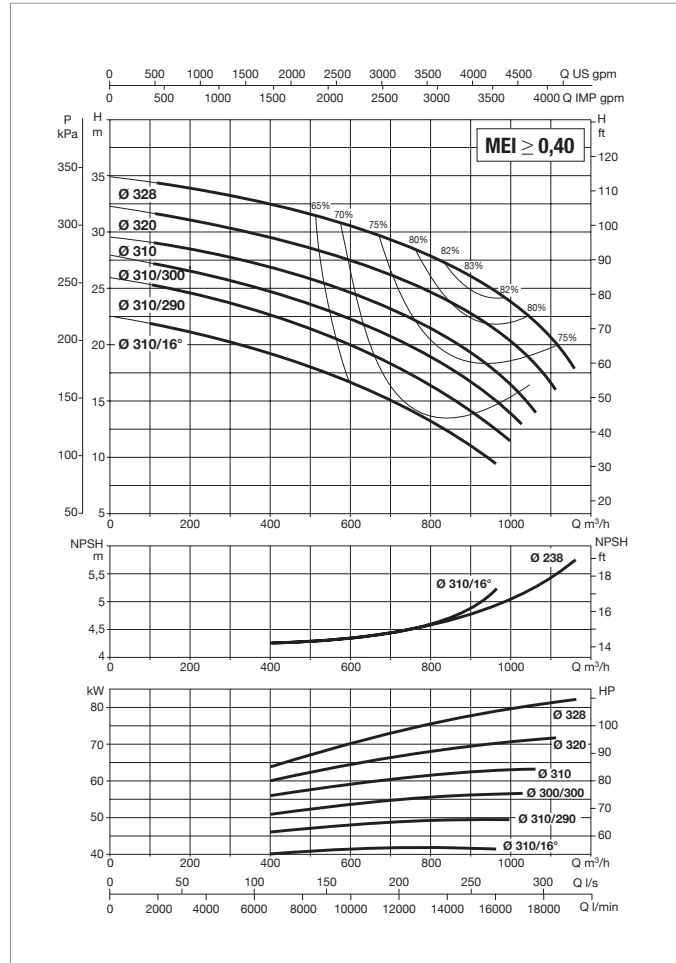
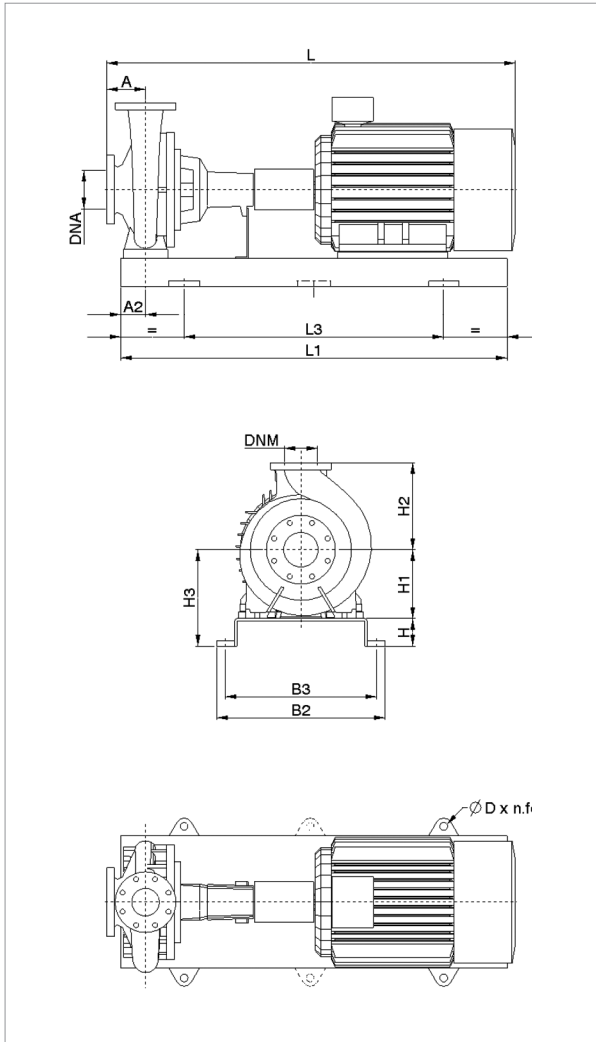
MODEL	POWER (kW)	UNIT DIMENSIONS (mm)											FLANGE DIMENSIONS (mm)		STANDARD COUPLING				SPACER COUPLING				REF.
		A	A2	H	H1	H2	H3	L1	L3	B2	B3	D	DNA	DNM	IE2		IE3		IE2		IE3		
															L	WEIGHT kg	L	WEIGHT kg	L	WEIGHT kg	L	WEIGHT kg	
KDN 250-330A	30	250	135	120	400	525	520	2000	1340	910	830	28x4	300	250	1694	912	1744	912	1935	927	1985	927	10
	37	250	135	120	400	525	520	2000	1340	910	830	28x4	300	250	1739	961	1810	918	1980	976	2051	933	10
	45	250	135	120	400	525	520	2000	1340	910	830	28x4	300	250	1769	977	1840	981	2010	992	2081	996	10
	55	250	135	120	400	525	520	2000	1340	910	830	28x4	300	250	1839	1089	1910	992	2080	1104	2151	1007	10
	75	250	135	120	400	525	520	2000	1340	910	830	28x4	300	250	1894	1206	1965	1089	2135	1221	2206	1104	10

Dimension and electrical data based on sizing definition following the instructions on page 176.

KDN 250-330 - 4 POLES - STANDARDISED CENTRIFUGAL ELECTRIC PUMPS FOR AIR CONDITIONING, REFRIGERATION, IRRIGATION, DECANTING, PRESSURISATION SYSTEMS, AND INDUSTRIAL APPLICATIONS

Pumped liquid temperature range: from -10 °C to +120°C - Maximum ambient temperature: +40°C

= 1450 1/min



See hydraulic efficiency details on page 291.

The performance curves are based on kinematic viscosity values = 1 mm²/s and density equal to 1000 kg/m³. Curve tolerance according to ISO 9906.

MODEL	ELECTRICAL DATA					
	POWER (kW)	MOTOR SIZE	POWER INPUT 50 Hz	In A		MOTOR TYPE
	4 POLES			IE2	IE3	
KDN 250-330	30	200L	3 x 400 V - Δ	53.5	53.5	IE2 / IE3
	37	225S	3 x 400 V - Δ	66.5	65	IE2 / IE3
	45	225M	3 x 400 V - Δ	79.5	78.5	IE2 / IE3
	55	250M	3 x 400 V - Δ	98	96	IE2 / IE3
	75	280S	3 x 400 V - Δ	132	130	IE2 / IE3
	90	280M	3 x 400 V - Δ	154	156	IE2 / IE3
	110	315S	3 x 400 V - Δ	195	190	IE2 / IE3

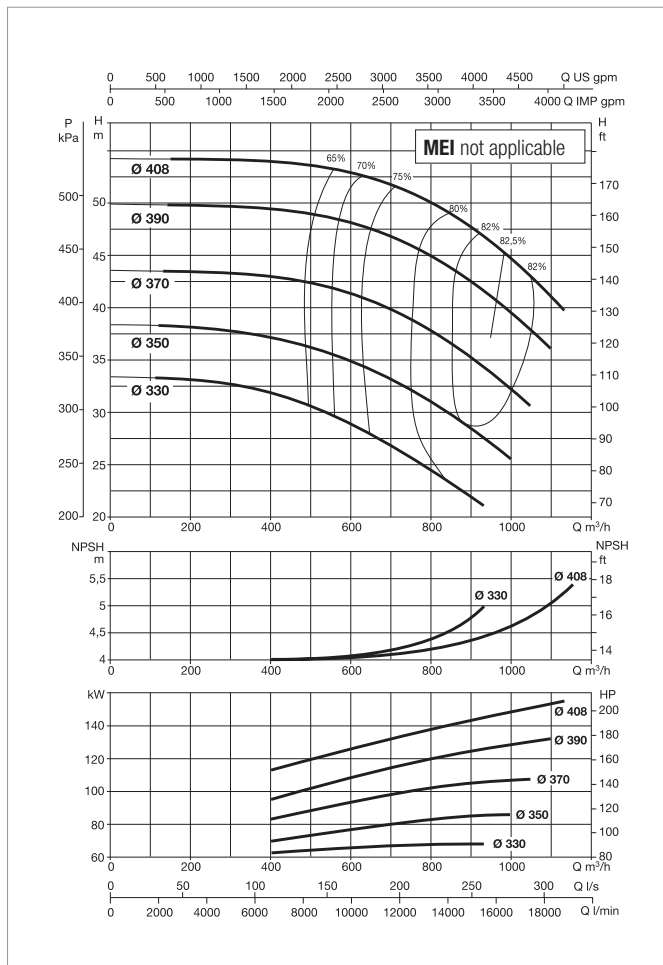
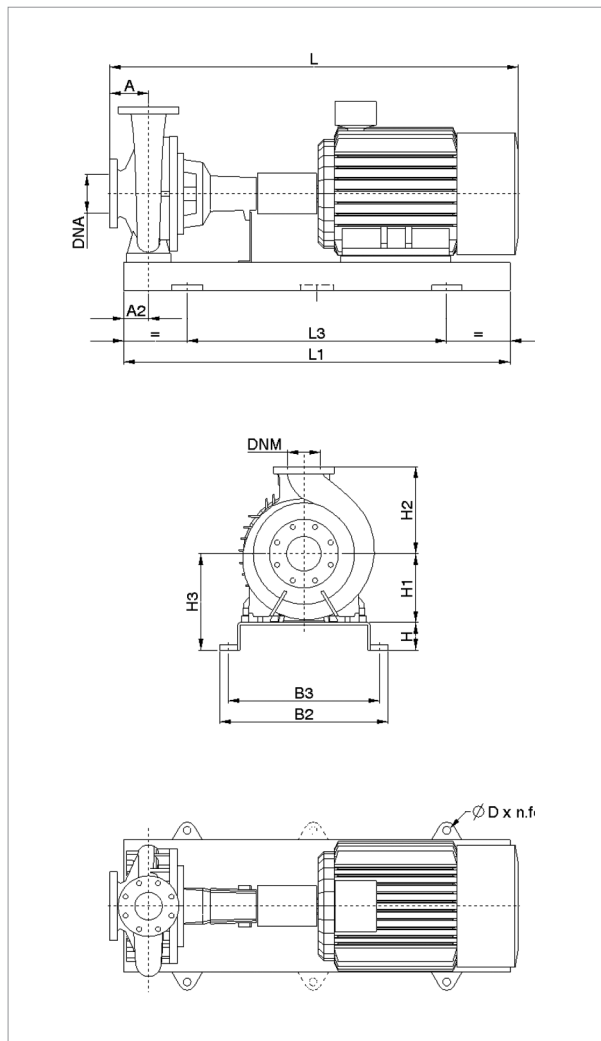
MODEL	POWER (kW)	UNIT DIMENSIONS (mm)											FLANGE DIMENSIONS (mm)		STANDARD COUPLING				SPACER COUPLING				REF.
		A	A2	H	H1	H2	H3	L1	L3	B2	B3	D	DNA	DNM	IE2		IE3		IE2		IE3		
		L	WEIGHT kg	L	WEIGHT kg	L	WEIGHT kg	L	WEIGHT kg	L	WEIGHT kg	L	WEIGHT kg	L	WEIGHT kg	L	WEIGHT kg	L	WEIGHT kg	L	WEIGHT kg		
KDN 250-330	30	250	135	120	400	525	520	2000	1340	910	830	28x4	300	250	1694	912	1744	912	1935	927	1985	927	10
	37	250	135	120	400	525	520	2000	1340	910	830	28x4	300	250	1739	961	1810	967	1980	976	2051	982	10
	45	250	135	120	400	525	520	2000	1340	910	830	28x4	300	250	1769	977	1840	997	2010	992	2081	1012	10
	55	250	135	120	400	525	520	2000	1340	910	830	28x4	300	250	1839	1089	1910	1104	2080	1104	2151	1119	10
	75	250	135	120	400	525	520	2000	1340	910	830	28x4	300	250	1894	1206	1965	1206	2135	1221	2206	1221	10
	90	250	135	120	400	525	520	2000	1340	910	830	28x4	300	250	1944	1326	2015	1311	2185	1341	2256	1326	10
	110	250	135	120	400	525	520	2000	1340	910	830	28x4	300	250	2194	1572	2282	1707	2435	1587	2523	1722	10

Dimension and electrical data based on sizing definition following the instructions on page 176.

KDN 250-400 - 4 POLES - STANDARDISED CENTRIFUGAL ELECTRIC PUMPS FOR AIR CONDITIONING, REFRIGERATION, IRRIGATION, DECANTING, PRESSURISATION SYSTEMS, AND INDUSTRIAL APPLICATIONS

Pumped liquid temperature range: from -10 °C to +120°C - Maximum ambient temperature: +40°C

= 1450 1/min



See hydraulic efficiency details on page 291.

The performance curves are based on kinematic viscosity values = 1 mm²/s and density equal to 1000 kg/m³. Curve tolerance according to ISO 9906.

MODEL	ELECTRICAL DATA					
	POWER (kW) 4 POLES	MOTOR SIZE	POWER INPUT 50 Hz	In A		MOTOR TYPE
				IE2	IE3	
KDN 250-400	75	280S	3 x 400 V - Δ	132	130	IE2 / IE3
	90	280M	3 x 400 V - Δ	154	156	IE2 / IE3
	110	315S	3 x 400 V - Δ	195	190	IE2 / IE3
	132	315M	3 x 400 V - Δ	235	230	IE2 / IE3
	160	315L	3 x 400 V - Δ	285	275	IE2 / IE3

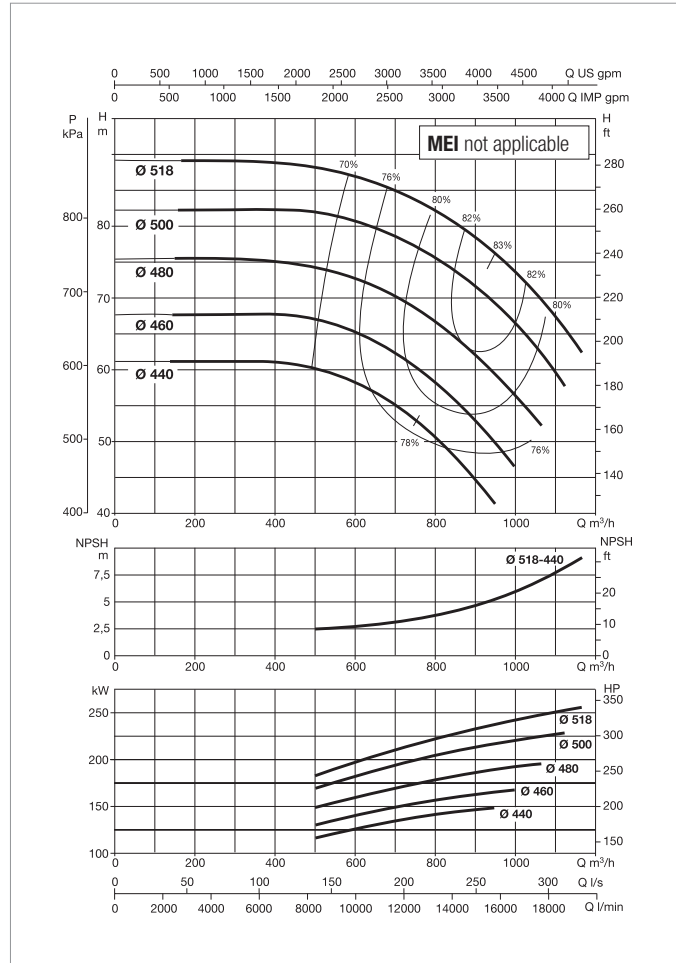
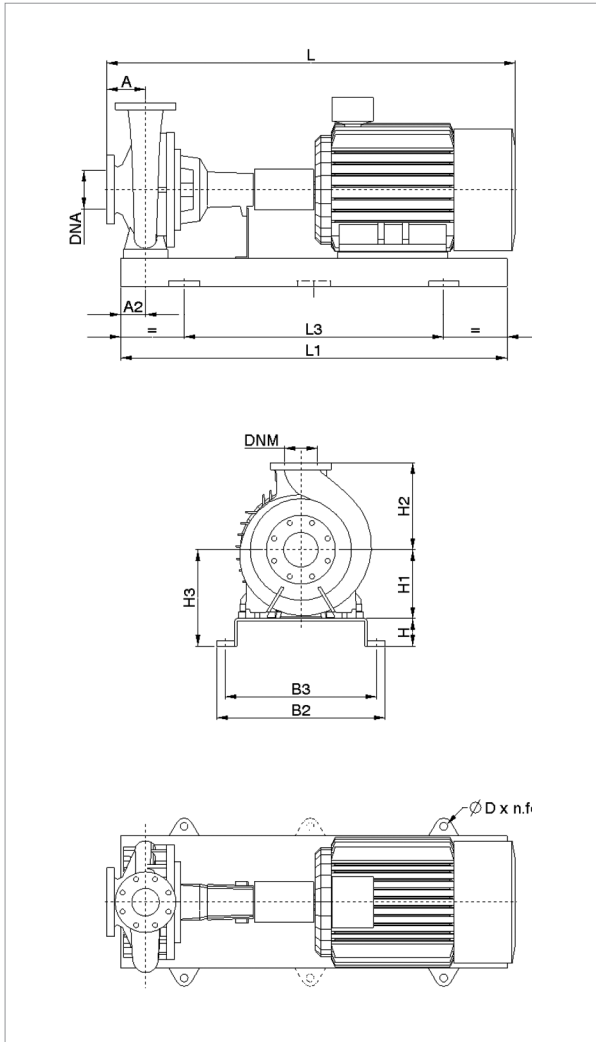
MODEL	POWER (kW)	UNIT DIMENSIONS (mm)											FLANGE DIMENSIONS (mm)		STANDARD COUPLING				SPACER COUPLING			
		A	A2	H	H1	H2	H3	L1	L3	B2	B3	D	DNA	DNM	IE2		IE3		IE2		IE3	
															L	WEIGHT kg	L	WEIGHT kg	L	WEIGHT kg	L	WEIGHT kg
KDN 250-400	75	225	135	120	400	600	520	2000	1340	910	830	28x4	300	250	1979	1446	2050	1446	2160	1461	2231	1461
	90	225	135	120	400	600	520	2000	1340	910	830	28x4	300	250	2029	1566	2100	1551	2210	1581	2281	1566
	110	225	135	120	400	600	520	2000	1340	910	830	28x4	300	250	2279	1812	2367	1947	2460	1827	2548	1962
	132	225	155	210	400	600	610	1880	1280	995	950	20x6	300	250	2389	1695	2477	1770	2570	1710	2658	1785
	160	225	155	210	400	600	610	1880	1280	995	950	20x6	300	250	2389	1785	2477	1850	2570	1800	2658	1865

Dimension and electrical data based on sizing definition following the instructions on page 176.

KDN 250-500A - 4 POLES - STANDARDISED CENTRIFUGAL ELECTRIC PUMPS FOR AIR CONDITIONING, REFRIGERATION, IRRIGATION, DECANTING, PRESSURISATION SYSTEMS, AND INDUSTRIAL APPLICATIONS

Pumped liquid temperature range: from -10 °C to +120°C - Maximum ambient temperature: +40°C

= 1450 1/min



See hydraulic efficiency details on page 291.

The performance curves are based on kinematic viscosity values = 1 mm²/s and density equal to 1000 kg/m³. Curve tolerance according to ISO 9906.

MODEL	ELECTRICAL DATA					
	POWER (kW)	MOTOR SIZE	POWER INPUT 50 Hz	In A		MOTOR TYPE
	4 POLES			IE2	IE3	
KDN 250-500A	132	315M	3 x 400 V - Δ	235	230	IE2 / IE3
	160	315L	3 x 400 V - Δ	285	275	IE2 / IE3
	200	315L	3 x 400 V - Δ	350	340	IE2 / IE3
	250	355	3 x 400 V - Δ	425	420	IE2 / IE3
	315	355	3 x 400 V - Δ	538	530	IE2 / IE3

MODEL	POWER (kW)	UNIT DIMENSIONS (mm)											FLANGE DIMENSIONS (mm)		STANDARD COUPLING				SPACER COUPLING			
		A	A2	H	H1	H2	H3	L1	L3	B2	B3	D	DNA	DNM	IE2		IE3		IE2		IE3	
		L	WEIGHT kg	L	WEIGHT kg	L	WEIGHT kg	L	WEIGHT kg	L	WEIGHT kg	L	WEIGHT kg	L	WEIGHT kg	L	WEIGHT kg	L	WEIGHT kg			
KDN 250-500A	132	300	155	210	500	500	710	2250	1650	995	950	20X6	300	250	2484	1745	2572	1820	2735	1760	2823	1835
	160	300	155	210	500	500	710	2250	1650	995	950	20X6	300	250	2484	1835	2572	1900	2735	1850	2823	1915
	200	300	155	210	500	500	710	2250	1650	995	950	20X6	300	250	2484	1995	2572	1995	2735	2010	2823	2010
	250	300	155	210	500	500	(*)	(*)	(*)	(*)	(*)	(*)	300	250	(*)	2780	(*)	(*)	(*)	(*)	(*)	(*)
	315	300	155	210	500	500	710	2500	1900	1095	1050	20X6	300	250	(*)	(*)	(*)	(*)	2855	(*)	(*)	(*)

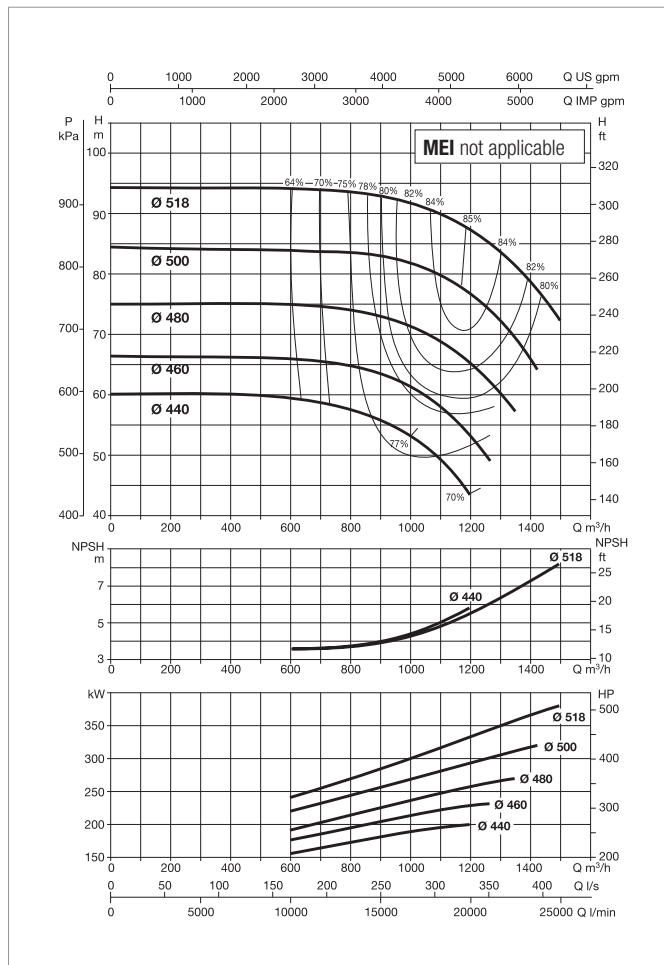
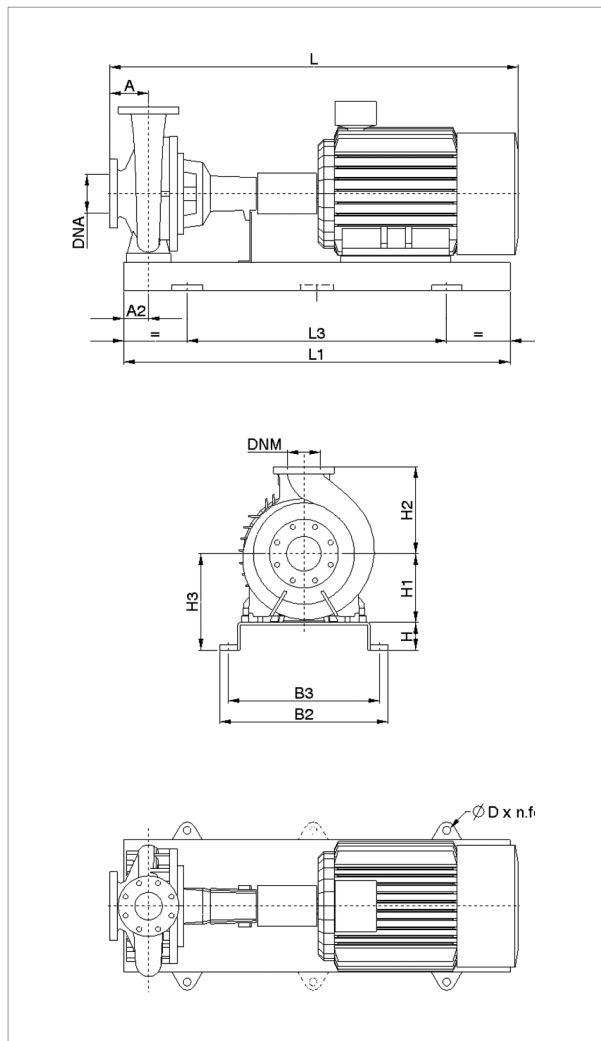
Dimension and electrical data based on sizing definition following the instructions on page 176.

(*) Data on request.

KDN 250-500 - 4 POLES - STANDARDISED CENTRIFUGAL ELECTRIC PUMPS FOR AIR CONDITIONING, REFRIGERATION, IRRIGATION, DECANTING, PRESSURISATION SYSTEMS, AND INDUSTRIAL APPLICATIONS

Pumped liquid temperature range: from -10 °C to +120°C - Maximum ambient temperature: +40°C

= 1450 1/min



See hydraulic efficiency details on page 291.

The performance curves are based on kinematic viscosity values = 1 mm²/s and density equal to 1000 kg/m³. Curve tolerance according to ISO 9906.

MODEL	ELECTRICAL DATA					
	POWER (kW)	MOTOR SIZE	POWER INPUT 50 Hz	In A		MOTOR TYPE
	4 POLES			IE2	IE3	
KDN 250-500	110	315S	3 x 400 V - Δ	195	190	IE2 / IE3
	132	315M	3 x 400 V - Δ	235	230	IE2 / IE3
	160	315L	3 x 400 V - Δ	285	275	IE2 / IE3
	200	315L	3 x 400 V - Δ	350	340	IE2 / IE3
	250	355	3 x 400 V - Δ	425	420	IE2 / IE3
	315	355	3 x 400 V - Δ	538	530	IE2 / IE3
	355	355	3 x 400 V - Δ	(*)	(*)	IE2 / IE3
400	400	3 x 400 V - Δ	(*)	(*)	IE2 / IE3	

MODEL	POWER (kW)	UNIT DIMENSIONS (mm)										FLANGE DIMENSIONS (mm)		STANDARD COUPLING				SPACER COUPLING				
		A	A2	H	H1	H2	H3	L1	L3	B2	B3	D	DNA	DNM	IE2		IE3		IE2		IE3	
		L	WEIGHT kg	L	WEIGHT kg	L	WEIGHT kg	L	WEIGHT kg	L	WEIGHT kg	L	WEIGHT kg	L	WEIGHT kg	L	WEIGHT kg	L	WEIGHT kg	L	WEIGHT kg	
KDN 250-500	110	300	155	210	500	500	710	2250	1650	995	950	20X6	300	250	2374	1625	2462	1760	2625	1640	2713	1775
	132	300	155	210	500	500	710	2250	1650	995	950	20X6	300	250	2484	1745	2572	1820	2735	1760	2823	1835
	160	300	155	210	500	500	710	2250	1650	995	950	20X6	300	250	2484	1835	2572	1900	2735	1850	2823	1915
	200	300	155	210	500	500	710	2250	1650	995	950	20X6	300	250	2484	1995	(*)	1995	2735	2010	(*)	2010
	250	300	155	210	500	500	710	2500	1900	1095	1050	20X5	300	250	2599	(*)	(*)	(*)	2850	(*)	(*)	(*)
	315	300	155	210	500	500	710	2500	1900	1095	1050	20X6	300	250	2600	2780	(*)	(*)	2850	2795	(*)	(*)
	355	300	155	210	500	500	710	2500	1900	1095	1050	20X6	300	250	1104	700	(*)	(*)	1355	715	(*)	(*)
	400	300	155	210	500	500	710	2650	2050	1200	1155	20X6	300	250	1104	700	(*)	(*)	1355	715	(*)	(*)

Dimension and electrical data based on sizing definition following the instructions on page 176.

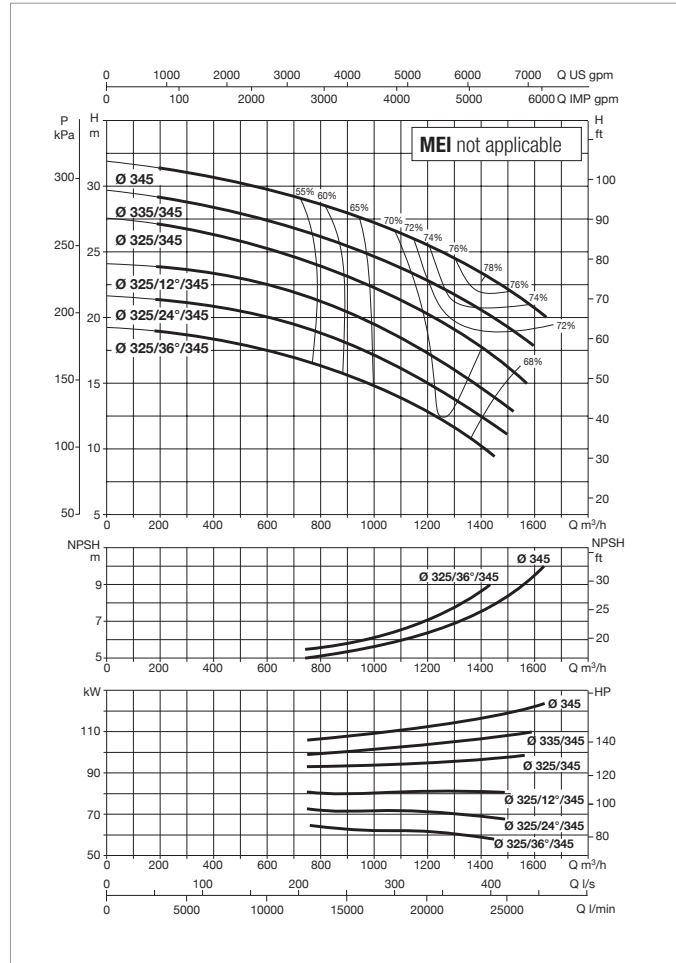
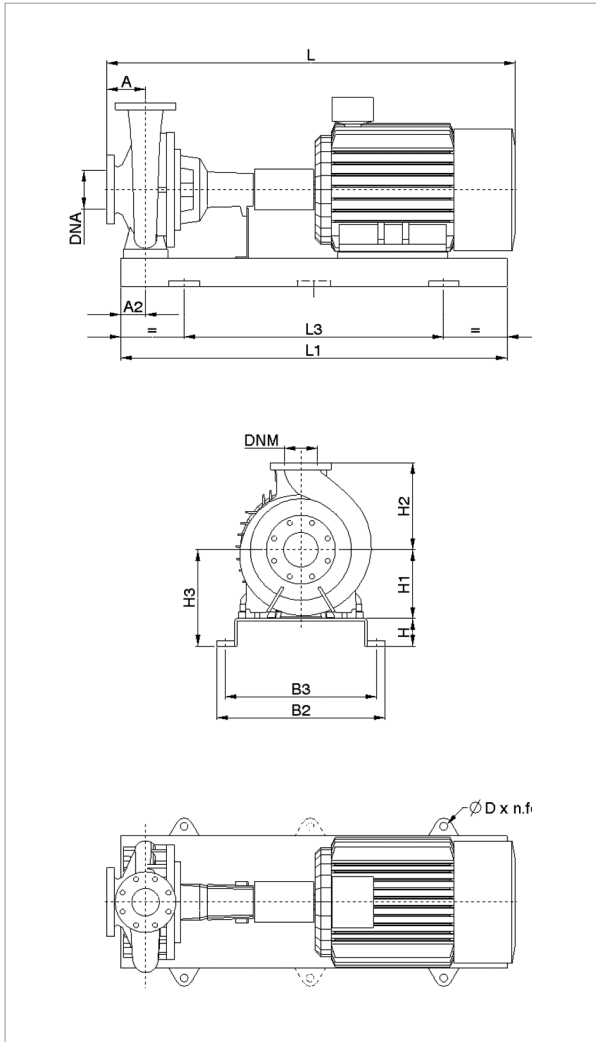
(*) Data on request.



KDN 300-330 - 4 POLES - STANDARDISED CENTRIFUGAL ELECTRIC PUMPS FOR AIR CONDITIONING, REFRIGERATION, IRRIGATION, DECANTING, PRESSURISATION SYSTEMS, AND INDUSTRIAL APPLICATIONS

Pumped liquid temperature range: from -10 °C to +120°C - Maximum ambient temperature: +40°C

= 1450 1/min



See hydraulic efficiency details on page 291.

The performance curves are based on kinematic viscosity values = 1 mm²/s and density equal to 1000 kg/m³. Curve tolerance according to ISO 9906.

MODEL	ELECTRICAL DATA					
	POWER (kW)	MOTOR SIZE	POWER INPUT 50 Hz	In A		MOTOR TYPE
	4 POLES			IE2	IE3	
KDN 300-330	37	225S	3 x 400 V - Δ	66.5	65	IE2 / IE3
	45	225M	3 x 400 V - Δ	79.5	78.5	IE2 / IE3
	55	250M	3 x 400 V - Δ	98	96	IE2 / IE3
	75	280S	3 x 400 V - Δ	132	130	IE2 / IE3
	90	280M	3 x 400 V - Δ	154	156	IE2 / IE3
	110	315S	3 x 400 V - Δ	195	190	IE2 / IE3
	132	315M	3 x 400 V - Δ	235	230	IE2 / IE3

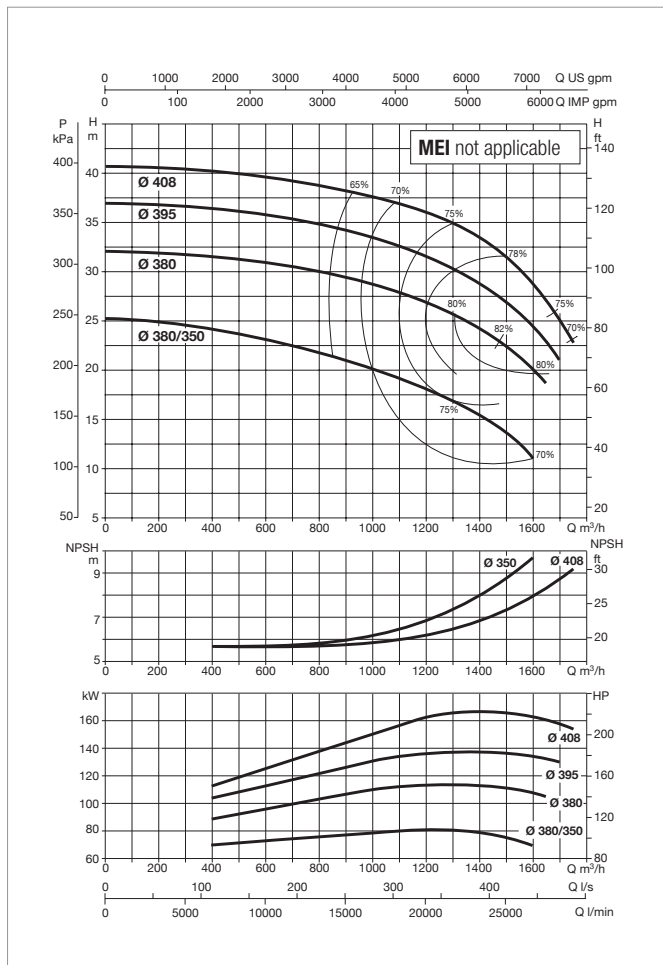
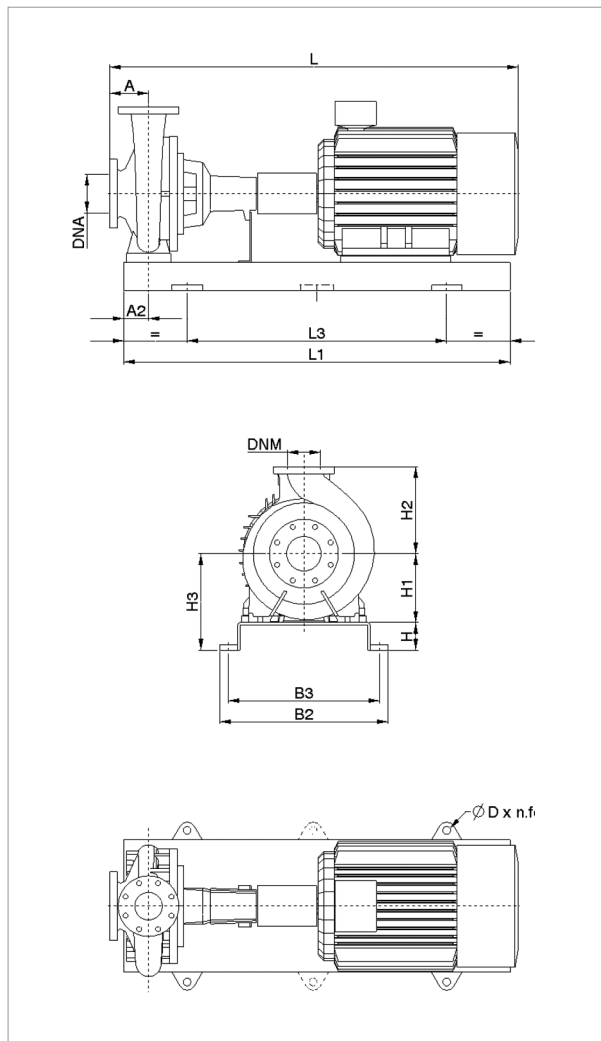
MODEL	POWER (kW)	UNIT DIMENSIONS (mm)										FLANGE DIMENSIONS (mm)		STANDARD COUPLING				SPACER COUPLING				
		A	A2	H	H1	H2	H3	L1	L3	B2	B3	D	DNA	DNM	IE2		IE3		IE2		IE3	
		L	WEIGHT kg	L	WEIGHT kg	L	WEIGHT kg	L	WEIGHT kg	L	WEIGHT kg	L	WEIGHT kg	L	WEIGHT kg	L	WEIGHT kg	L	WEIGHT kg	L	WEIGHT kg	
KDN 300-330	37	300	230	185	500	670	685	1650	1050	960	915	16x4	350	300	1839	1094	1910	1100	2080	1109	2151	1115
	45	300	230	185	500	670	685	1650	1050	960	915	16x4	350	300	1869	1110	1940	1130	2110	1125	2181	1145
	55	300	230	185	500	670	685	1700	1100	960	915	16x4	350	300	1939	1222	2010	1237	2180	1237	2251	1252
	75	300	230	185	500	670	685	1800	1200	960	915	20x4	350	300	1994	1339	2065	1339	2235	1354	2306	1354
	90	300	230	185	500	670	685	1800	1200	960	915	20x4	350	300	2044	1459	2115	1444	2285	1474	2356	1459
	110	300	230	205	500	670	705	1930	1330	960	915	20x4	350	300	2294	1705	2382	1840	2535	1720	2623	1855
	132	300	230	205	500	670	705	1930	1330	960	915	20x4	350	300	2404	1825	2492	1900	2645	1840	2733	1915

Dimension and electrical data based on sizing definition following the instructions on page 176.

KDN 300-400M - 4 POLES - STANDARDISED CENTRIFUGAL ELECTRIC PUMPS FOR AIR CONDITIONING, REFRIGERATION, IRRIGATION, DECANTING, PRESSURISATION SYSTEMS, AND INDUSTRIAL APPLICATIONS

Pumped liquid temperature range: from -10 °C to +120°C - Maximum ambient temperature: +40°C

= 1450 1/min



See hydraulic efficiency details on page 291.

The performance curves are based on kinematic viscosity values = 1 mm²/s and density equal to 1000 kg/m³. Curve tolerance according to ISO 9906.

MODEL	ELECTRICAL DATA					
	POWER (kW)	MOTOR SIZE	POWER INPUT 50 Hz	In A		MOTOR TYPE
	4 POLES			IE2	IE3	
KDN 300-400M	110	315S	3 x 400 V - Δ	195	190	IE2 / IE3
	132	315M	3 x 400 V - Δ	235	230	IE2 / IE3
	160	315L	3 x 400 V - Δ	285	275	IE2 / IE3
	200	315L	3 x 400 V - Δ	350	340	IE2 / IE3

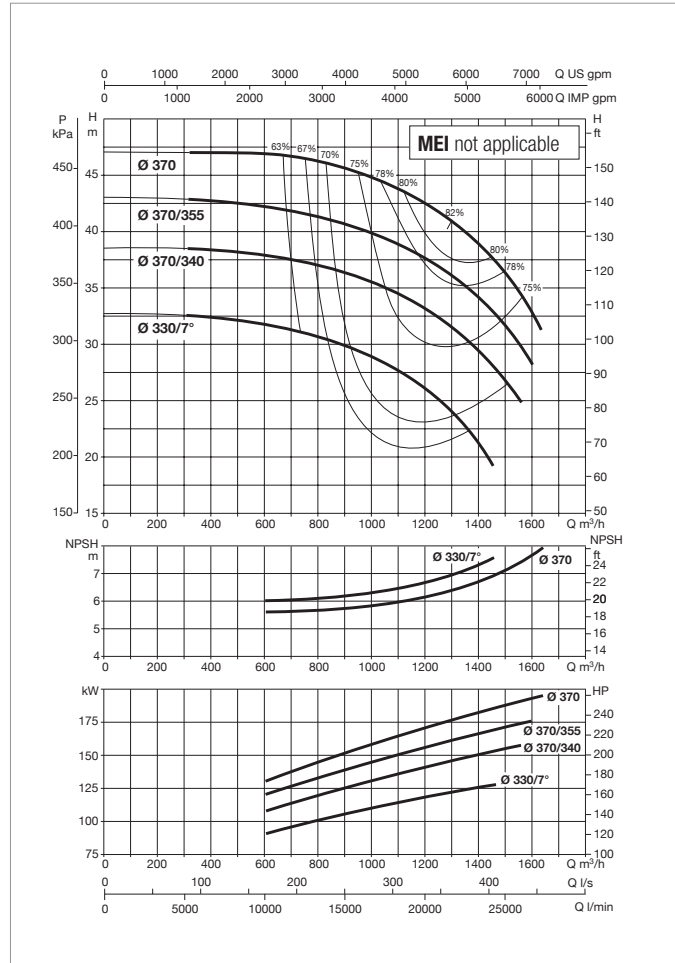
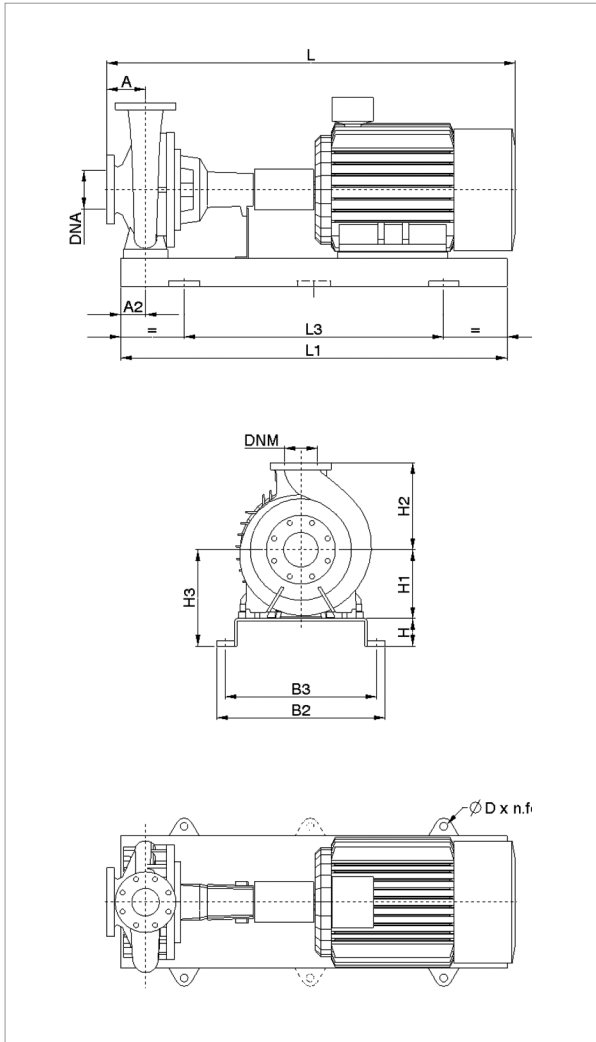
MODEL	POWER (kW)	UNIT DIMENSIONS (mm)											FLANGE DIMENSIONS (mm)		STANDARD COUPLING				SPACER COUPLING			
		A	A2	H	H1	H2	H3	L1	L3	B2	B3	D	DNA	DNM	IE2		IE3		IE2		IE3	
		L	WEIGHT kg	L	WEIGHT kg	L	WEIGHT kg	L	WEIGHT kg	L	WEIGHT kg	L	WEIGHT kg	L	WEIGHT kg	L	WEIGHT kg	L	WEIGHT kg	L	WEIGHT kg	
KDN 300-400M	110	325	135	120	400	640	520	2000	1340	910	830	28x4	350	300	2389	1725	2477	1860	2630	1740	2718	1875
	132	325	145	210	400	640	610	1880	1280	995	950	20x6	350	300	2499	1845	2587	1920	2740	1860	2828	1935
	160	325	145	210	400	640	610	1880	1280	995	950	20x6	350	300	2499	1935	2587	2000	2740	1950	2828	2015
	200	325	145	210	400	640	610	1880	1280	995	950	20x6	350	300	2499	2095	2587	2095	2740	2110	2828	2110

Dimension and electrical data based on sizing definition following the instructions on page 176.

KDN 300-400A - 4 POLES - STANDARDISED CENTRIFUGAL ELECTRIC PUMPS FOR AIR CONDITIONING, REFRIGERATION, IRRIGATION, DECANTING, PRESSURISATION SYSTEMS, AND INDUSTRIAL APPLICATIONS

Pumped liquid temperature range: from -10 °C to +120°C - Maximum ambient temperature: +40°C

= 1450 1/min



See hydraulic efficiency details on page 291.

The performance curves are based on kinematic viscosity values = 1 mm²/s and density equal to 1000 kg/m³. Curve tolerance according to ISO 9906.

MODEL	ELECTRICAL DATA					
	POWER (kW) 4 POLES	MOTOR SIZE	POWER INPUT 50 Hz	In A		MOTOR TYPE
				IE2	IE3	
KDN 300-400A	110	315S	3 x 400 V - Δ	195	190	IE2 / IE3
	132	315M	3 x 400 V - Δ	235	230	IE2 / IE3
	160	315L	3 x 400 V - Δ	285	275	IE2 / IE3
	200	315L	3 x 400 V - Δ	350	340	IE2 / IE3
	250	355	3 x 400 V - Δ	425	420	IE2 / IE3

MODEL	POWER (kW)	UNIT DIMENSIONS (mm)											FLANGE DIMENSIONS (mm)		STANDARD COUPLING				SPACER COUPLING			
		A	A2	H	H1	H2	H3	L1	L3	B2	B3	D	DNA	DNM	IE2		IE3		IE2		IE3	
															L	WEIGHT kg	L	WEIGHT kg	L	WEIGHT kg	L	WEIGHT kg
KDN 300-400A	110	325	135	120	400	640	520	2000	1340	910	830	28x4	350	300	2389	1725	2477	1860	2630	1740	2718	1875
	132	325	145	210	400	640	610	1880	1280	995	950	20X6	350	300	2499	1845	2587	1920	2740	1860	2828	1935
	160	325	145	210	400	640	610	1880	1280	995	950	20X6	350	300	2499	1935	2587	2000	2740	1950	2828	2015
	200	325	145	210	400	640	610	1880	1280	995	950	20X6	350	300	2499	2095	2587	2095	2740	2110	2828	2110
	250	325	145	210	400	640	610	2250	1650	1095	1050	20X6	350	300	1119	800	(*)	(*)	1360	815	(*)	(*)

Dimension and electrical data based on sizing definition following the instructions on page 176.

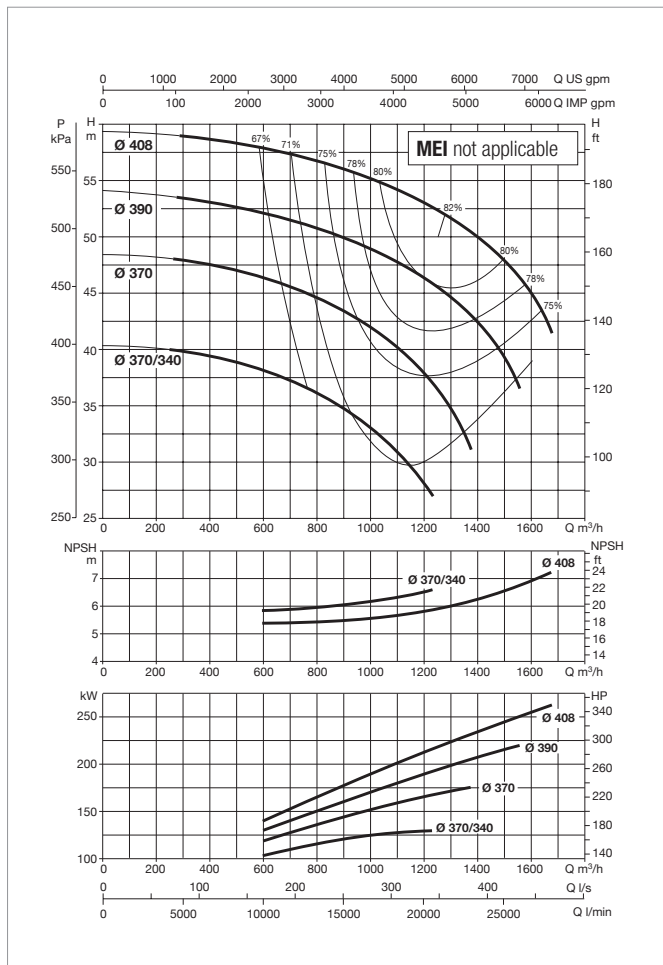
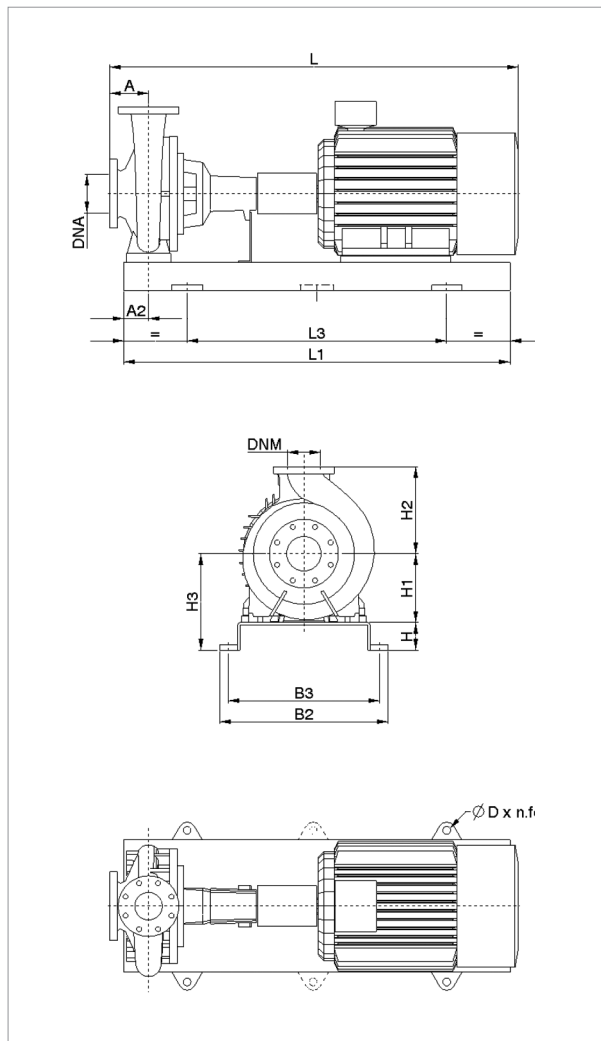
(*) Data on request.



KDN 300-400 - 4 POLES - STANDARDISED CENTRIFUGAL ELECTRIC PUMPS FOR AIR CONDITIONING, REFRIGERATION, IRRIGATION, DECANTING, PRESSURISATION SYSTEMS, AND INDUSTRIAL APPLICATIONS

Pumped liquid temperature range: from -10 °C to +120°C - Maximum ambient temperature: +40°C

= 1450 1/min



See hydraulic efficiency details on page 291.

The performance curves are based on kinematic viscosity values = 1 mm²/s and density equal to 1000 kg/m³. Curve tolerance according to ISO 9906.

MODEL	ELECTRICAL DATA					
	POWER (kW) 4 POLES	MOTOR SIZE	POWER INPUT 50 Hz	In A		MOTOR TYPE
				IE2	IE3	
KDN 300-400	110	315S	3 x 400 V - Δ	195	190	IE2 / IE3
	132	315M	3 x 400 V - Δ	235	230	IE2 / IE3
	160	315L	3 x 400 V - Δ	285	275	IE2 / IE3
	200	315L	3 x 400 V - Δ	350	340	IE2 / IE3
	250	355	3 x 400 V - Δ	425	420	IE2 / IE3
	315	355	3 x 400 V - Δ	538	530	IE2 / IE3

MODEL	POWER (kW)	UNIT DIMENSIONS (mm)										FLANGE DIMENSIONS (mm)		STANDARD COUPLING				SPACER COUPLING				
		A	A2	H	H1	H2	H3	L1	L3	B2	B3	D	DNA	DNM	IE2		IE3		IE2		IE3	
															L	WEIGHT kg	L	WEIGHT kg	L	WEIGHT kg	L	WEIGHT kg
KDN 300-400	110	325	135	120	400	640	520	2000	1340	910	830	28x4	350	300	2389	1725	2477	1860	2630	1740	2718	1875
	132	325	145	210	400	640	610	1880	1280	995	950	20X6	350	300	2499	1845	2587	1920	2740	1860	2828	1935
	160	325	145	210	400	640	610	1880	1280	995	950	20X6	350	300	2499	1935	2587	2000	2740	1950	2828	2015
	200	325	145	210	400	640	610	1880	1280	995	950	20X6	350	300	2499	2095	2587	2095	2740	2110	2828	2110
	250	325	145	210	400	640	610	2250	1650	1095	1050	20X6	350	300	1119	2480	(*)	(*)	1360	2495	(*)	(*)
	315	325	145	210	400	640	610	2250	1650	1095	1050	20X6	350	300	2645	2480	(*)	(*)	2720	2495	(*)	(*)

Dimension and electrical data based on sizing definition following the instructions on page 176.

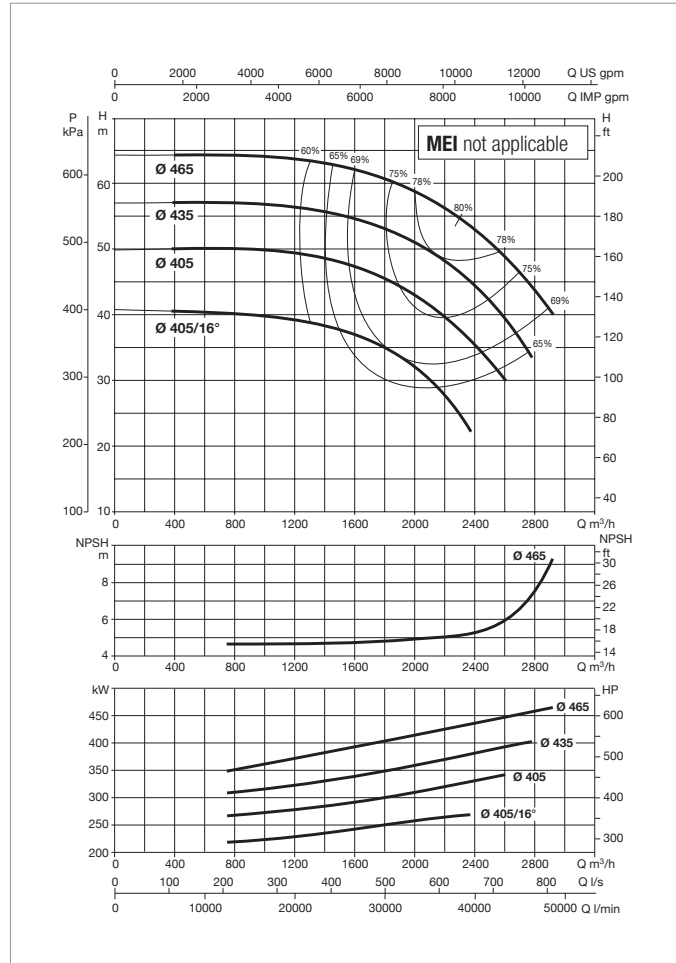
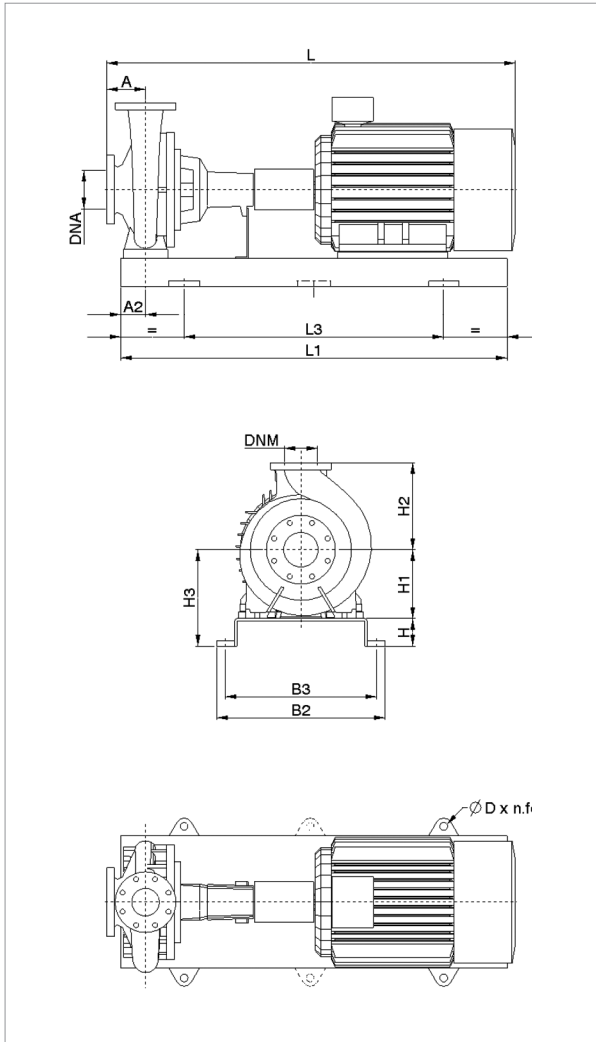
(*) Data on request.



KDN 350-500A - 4 POLES - STANDARDISED CENTRIFUGAL ELECTRIC PUMPS FOR AIR CONDITIONING, REFRIGERATION, IRRIGATION, DECANTING, PRESSURISATION SYSTEMS, AND INDUSTRIAL APPLICATIONS

Pumped liquid temperature range: from -10 °C to +120°C - Maximum ambient temperature: +40°C

= 1450 1/min



See hydraulic efficiency details on page 291.

The performance curves are based on kinematic viscosity values = 1 mm²/s and density equal to 1000 kg/m³. Curve tolerance according to ISO 9906.

MODEL	ELECTRICAL DATA					
	POWER (kW)	MOTOR SIZE	POWER INPUT 50 Hz	In A		MOTOR TYPE
	4 POLES			IE2	IE3	
KDN 350-500A	315	355	3 x 400 V - Δ	538	530	IE2 / IE3
	355	355	3 x 400 V - Δ	(*)	(*)	IE2 / IE3
	400	355	3 x 400 V - Δ	(*)	(*)	IE2 / IE3
	500	355	3 x 400 V - Δ	(*)	(*)	IE2 / IE3

MODEL	POWER (kW)	UNIT DIMENSIONS (mm)											FLANGE DIMENSIONS (mm)		STANDARD COUPLING				SPACER COUPLING			
		A	A2	H	H1	H2	H3	L1	L3	B2	B3	D	DNA	DNM	IE2		IE3		IE2		IE3	
		L	WEIGHT kg	L	WEIGHT kg	L	WEIGHT kg	L	WEIGHT kg	L	WEIGHT kg											
KDN 350-500A	315	380	295	240	600	600	840	2700	2100	1305	1260	20x6	400	350	3114	1080	(*)	1080	3115	1095	(*)	1095
	355	385	300	240	600	615	840	3000	2100	1305	1260	(*)	400	350	3115	4250	(*)	4250	(*)	(*)	(*)	4250
	400	380	(*)	(*)	600	600	600	(*)	(*)	(*)	(*)	(*)	400	350	(*)	(*)	(*)	(*)	(*)	(*)	(*)	(*)
	500	380	(*)	(*)	600	600	600	(*)	(*)	(*)	(*)	(*)	400	350	(*)	(*)	(*)	(*)	(*)	(*)	(*)	(*)

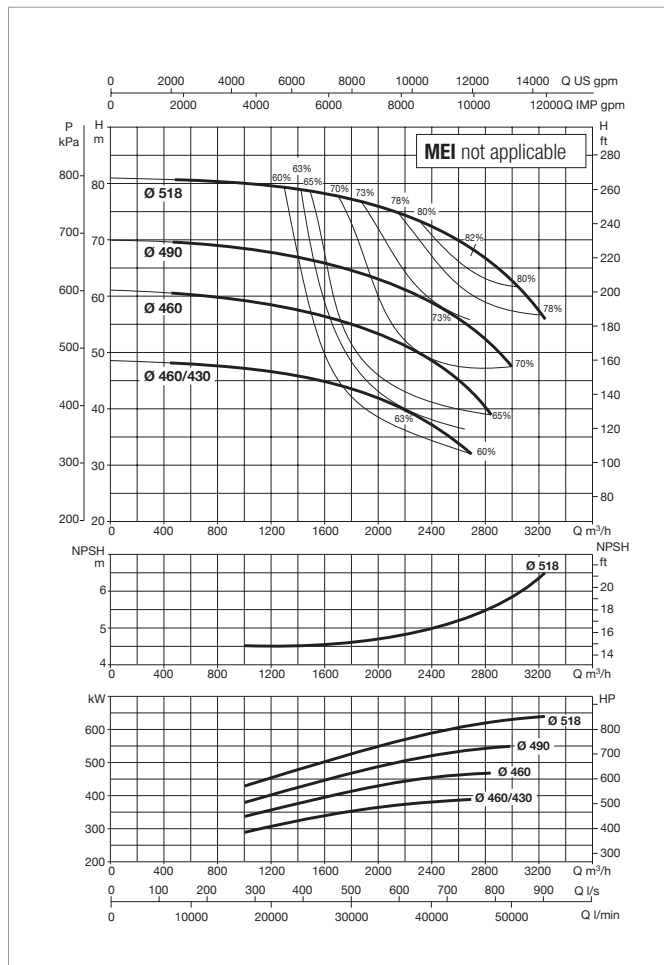
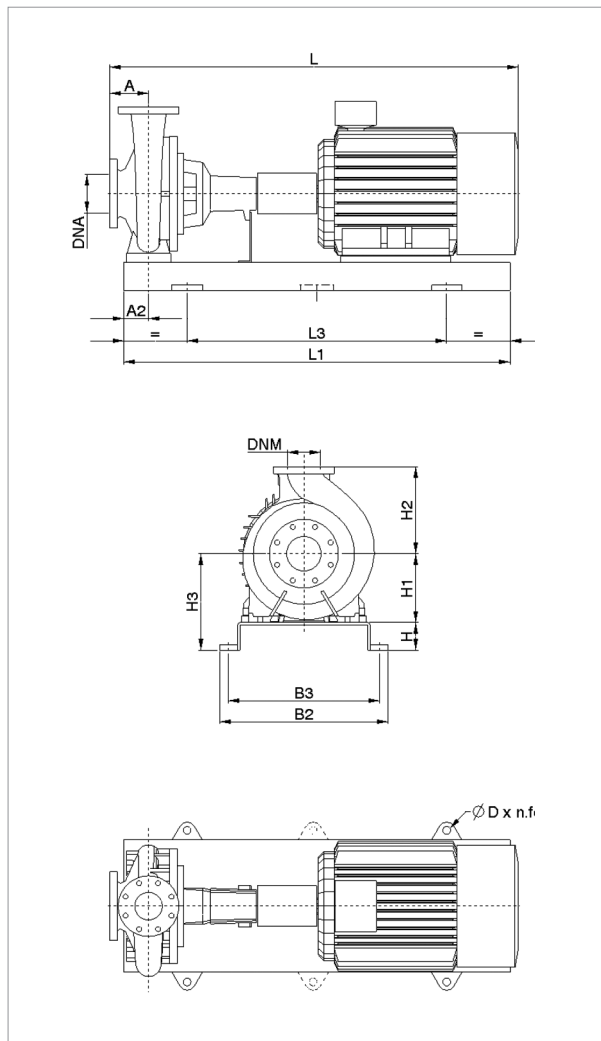
Dimension and electrical data based on sizing definition following the instructions on page 176.

(*) Data on request.

KDN 350-500 - 4 POLES - STANDARDISED CENTRIFUGAL ELECTRIC PUMPS FOR AIR CONDITIONING, REFRIGERATION, IRRIGATION, DECANTING, PRESSURISATION SYSTEMS, AND INDUSTRIAL APPLICATIONS

Pumped liquid temperature range: from -10 °C to +120°C - Maximum ambient temperature: +40°C

= 1450 1/min



See hydraulic efficiency details on page 291.

The performance curves are based on kinematic viscosity values = 1 mm²/s and density equal to 1000 kg/m³. Curve tolerance according to ISO 9906.

MODEL	ELECTRICAL DATA					
	POWER (kW)	MOTOR SIZE	POWER INPUT 50 Hz	In A		MOTOR TYPE
	4 POLES			IE2	IE3	
KDN 350-500	355	355	3 x 400 V - Δ	(*)	(*)	IE2 / IE3
	400	355	3 x 400 V - Δ	(*)	(*)	IE2 / IE3
	500	355	3 x 400 V - Δ	(*)	(*)	IE2 / IE3

MODEL	POWER (kW)	UNIT DIMENSIONS (mm)										FLANGE DIMENSIONS (mm)		STANDARD COUPLING				SPACER COUPLING				
		A	A2	H	H1	H2	H3	L1	L3	B2	B3	D	DNA	DNM	IE2		IE3		IE2		IE3	
		L	WEIGHT kg	L	WEIGHT kg	L	WEIGHT kg	L	WEIGHT kg													
KDN 350-500	355	380	(*)	(*)	600	600	600	(*)	(*)	(*)	(*)	(*)	400	350	(*)	(*)	(*)	(*)	(*)	(*)	(*)	(*)
	400	380	(*)	(*)	600	600	600	(*)	(*)	(*)	(*)	(*)	400	350	(*)	(*)	(*)	(*)	(*)	(*)	(*)	(*)
	500	380	(*)	(*)	600	600	600	(*)	(*)	(*)	(*)	(*)	400	350	(*)	(*)	(*)	(*)	(*)	(*)	(*)	(*)

Dimension and electrical data based on sizing definition following the instructions on page 176.

(*) Data on request.

KDN OVERSIZE - 4 POLES

STANDARDISED CENTRIFUGAL ELECTRIC PUMPS

IE2 STANDARD MOTOR ELECTRIC DATA

=1450 1/min

MOTOR TYPE	P2 NOMINAL kW	SPEED rpm	YIELD %	POWER FACTOR COS φ	POWER INPUT 50 Hz	In A		Start-up current Ia/In	Start-up torque Ma/Mn	Maximum torque M/k/Mn	POLES
						230	400				
MEC 71	0.25	1400	60.00	0.710	3 x 230/400	1.60	0.90	2.88	2.15	2.26	4
MEC 71	0.37	1340	67.00	0.780	3 x 230/400	1.70	0.98	4.75	2.84	2.64	4
MEC 80	0.55	1410	71.00	0.720	3 x 230/400	2.60	1.50	5.33	2.78	2.89	4
MEC 80	0.75	1430	79.80	0.795	3 x 230/400	3.57	2.06	6.65	3.58	3.54	4
MEC 90S	1.10	1440	82.20	0.723	3 x 230/400	4.68	2.70	7.27	3.43	3.47	4
MEC 90L	1.50	1430	82.56	0.732	3 x 230/400	6.24	3.60	6.67	3.39	3.30	4
MEC 100L	2.20	1450	83.38	0.756	3 x 230/400	8.75	5.05	8.40	3.45	3.75	4

MOTOR TYPE	P2 NOMINAL kW	SPEED rpm	YIELD %	POWER FACTOR COS φ	POWER INPUT 50 Hz	In A		Start-up current Ia/In	Start-up torque Ma/Mn	Maximum torque M/k/Mn	POLES
						400	690				
MEC 100L	3.00	1440	86.72	0.800	3 x 400 Δ	6.25	3.61	6.91	2.70	3.11	4
MEC 112M	4.00	1450	87.19	0.832	3 x 400 Δ	7.95	4.59	8.72	3.17	3.53	4
MEC 132S	5.50	1460	88.78	0.851	3 x 400 Δ	10.60	6.15	7.97	2.37	3.13	4
MEC 132M	7.50	1460	89.81	0.849	3 x 400 Δ	14.20	8.20	8.70	2.62	3.07	4
MEC 160M	11.00	1470	90.44	0.818	3 x 400 Δ	21.60	12.47	8.32	2.70	2.95	4
MEC 160L	15.00	1470	90.48	0.834	3 x 400 Δ	29.00	16.74	8.16	2.58	2.96	4
MEC 180M	18.50	1470	92.00	0.873	3 x 400 Δ	33.00	19.05	7.66	2.93	3.23	4
MEC 180L	22.00	1470	92.31	0.862	3 x 400 Δ	40.00	23.09	7.86	2.63	3.19	4
MEC 200L	30.00	1480	92.80	0.874	3 x 400 Δ	53.31	30.78	8.72	3.17	3.53	4
MEC 225S	37.00	1480	93.22	0.865	3 x 400 Δ	66.50	38.39	6.74	2.13	2.86	4
MEC 225M	45.00	1480	93.09	0.881	3 x 400 Δ	79.50	45.90	7.53	2.34	2.92	4
MEC 250M	55.00	1490	94.22	0.843	3 x 400 Δ	98.00	56.58	8.47	2.82	3.36	4
MEC 280S	75.00	1480	94.48	0.876	3 x 400 Δ	132.00	76.50	8.69	2.96	3.56	4
MEC 280M	90.00	1480	94.78	0.895	3 x 400 Δ	154.00	89.00	9.49	3.42	3.80	4
MEC 315S	110.00	1490	94.70	0.877	3 x 400 Δ	195.00	112.59	7.14	2.51	3.44	4
MEC 315M	132.00	1490	94.80	0.879	3 x 400 Δ	235.00	135.68	7.08	2.55	3.39	4
MEC 315L	160.00	1490	95.00	0.877	3 x 400 Δ	285.00	164.55	7.18	2.67	3.40	4
MEC 315L	200.00	1490	95.10	0.874	3 x 400 Δ	350.00	202.08	7.25	2.77	3.41	4
MEC355M	250.00	1490	96.01	0.88	3 x 400 Δ	425.00	246.40	7.27	2.42	3.50	4
MEC355L	315.00	1490	95.98	0.88	3 x 400 Δ	538.00	311.88	8.08	2.46	3.83	4

KDN OVERSIZE - 4 POLES

STANDARDISED CENTRIFUGAL ELECTRIC PUMPS

IE3 STANDARD MOTOR ELECTRIC DATA

=1450 1/min

MOTOR TYPE	P2 NOMINAL kW	SPEED rpm	YIELD %	POWER FACTOR COS φ	POWER INPUT 50 Hz	In A		Start-up current Ia/In	Start-up torque Ma/Mn	Maximum torque M/k/Mn	POLES
						400	690				
MEC 132M	7.50	1460	90.40	0.820	3 x 400 Δ	14.60	8.44	8.50	2.70	3.20	4
MEC 160M	11.00	1470	91.40	0.850	3 x 400 Δ	20.50	11.85	8.40	2.90	3.10	4
MEC 160L	15.00	1470	92.10	0.850	3 x 400 Δ	28.00	16.18	8.30	2.90	3.00	4
MEC 180M	18.50	1470	92.60	0.850	3 x 400 Δ	34.00	19.65	7.90	2.40	3.00	4
MEC 180L	22.00	1470	92.90	0.850	3 x 400 Δ	40.50	23.41	8.30	2.60	3.10	4
MEC 200L	30.00	1470	93.60	0.870	3 x 400 Δ	53.50	30.92	8.60	2.80	3.40	4
MEC 225S	37.00	1480	93.90	0.880	3 x 400 Δ	65.00	37.57	7.50	2.20	2.60	4
MEC 225M	45.00	1480	94.20	0.880	3 x 400 Δ	78.50	45.38	8.00	2.50	2.80	4
MEC 250M	55.00	1480	94.60	0.870	3 x 400 Δ	96.00	55.49	8.10	2.40	2.80	4
MEC 280S	75.00	1490	95.00	0.880	3 x 400 Δ	130.00	75.14	7.40	2.20	2.90	4
MEC 280M	90.00	1490	95.20	0.880	3 x 400 Δ	156.00	90.17	6.80	2.10	2.60	4
MEC 315S	110.00	1490	95.40	0.860	3 x 400 Δ	190.00	109.83	6.90	2.20	3.00	4
MEC 315M	132.00	1490	95.60	0.860	3 x 400 Δ	230.00	132.95	6.90	2.30	3.00	4
MEC 315L	160.00	1490	95.80	0.870	3 x 400 Δ	275.00	158.96	6.90	2.30	2.90	4
MEC 315L	200.00	1490	96.00	0.880	3 x 400 Δ	340.00	196.53	6.70	2.30	2.80	4
MEC 355M	250.00	1490	96.00	0.890	3 x 400 Δ	420.00	242.77	7.70	2.60	2.70	4
MEC 355L	315.00	1490	96.00	0.890	3 x 400 Δ	530.00	306.36	7.80	2.80	2.70	4

KDN OVERSIZE - 6 POLE RANGE

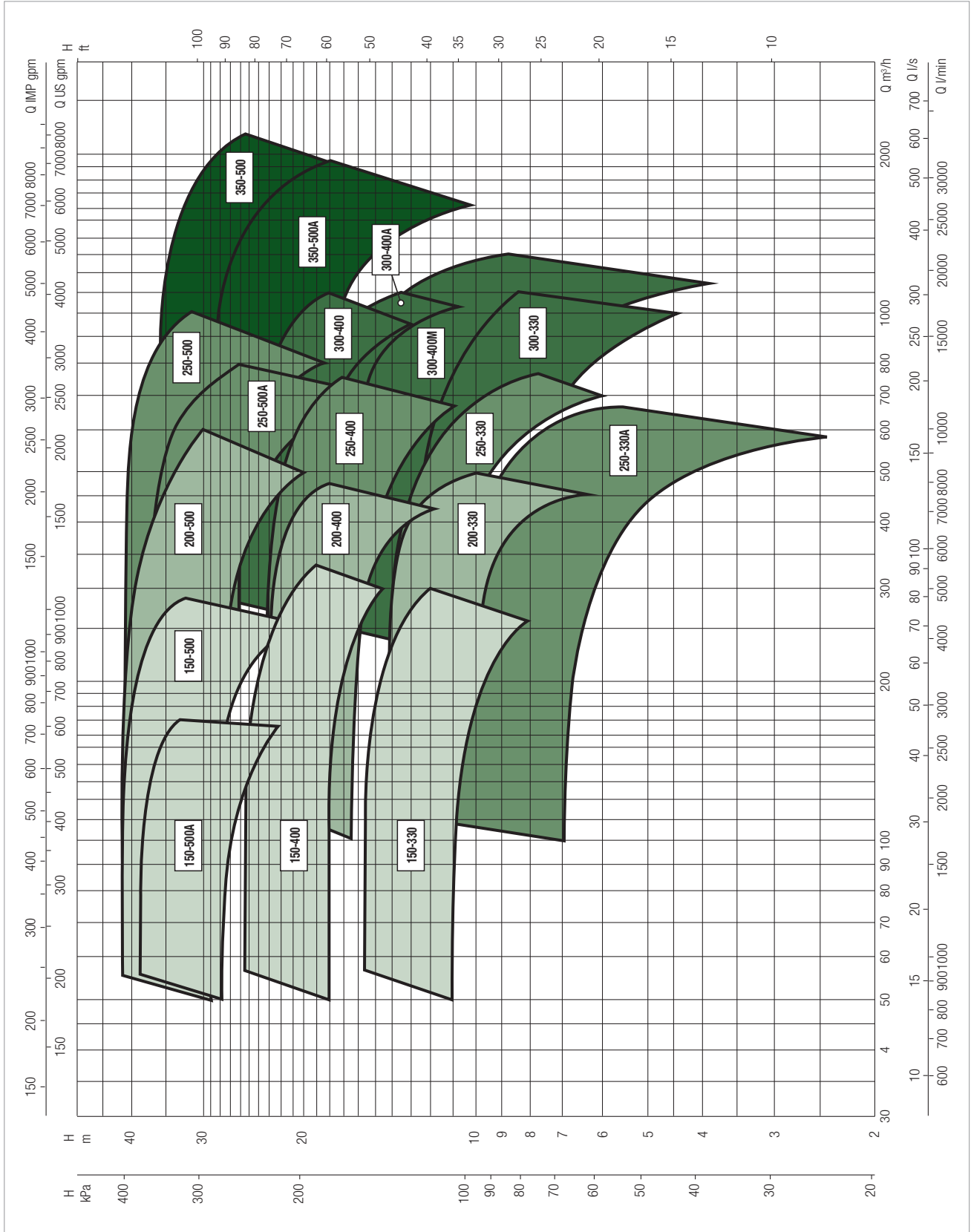
STANDARDISED CENTRIFUGAL ELECTRIC PUMPS

PERFORMANCE RANGE

The performance curves are based on kinematic viscosity values = 1 mm²/s and density equal to 1000 kg/m³. Curve tolerance according to ISO 9906.

GRAPHIC SELECTION TABLE

= 970 1/min



KDN OVERSIZE - 6 POLES

STANDARDISED CENTRIFUGAL ELECTRIC PUMPS

SELECTION TABLE - KDN 150

MODEL	Q=m ³ /h	0	50	100	150	200	250	300
	Q=l/min	0	833	1667	2500	3333	4167	5000
KDN 150-330 / 280	H (m)	11	11	11	11	10	8	
KDN 150-330 / 300		13	13	13	12	12	10	
KDN 150-330 / 315		14	14	14	14	13	12	
KDN 150-330 / 328		16	16	16	15	15	14	12
KDN 150-400 / 350		18	18	18	18	17	16	14
KDN 150-400 / 370		20	20	20	20	19	18	16
KDN 150-400 / 390		23	23	23	23	22	21	18
KDN 150-400 / 408		25	25	25	25	25	23	21
KDN 150-500 / 440		29	29	29	28	24		
KDN 150-500 / 480		35	35	35	33	31	27	
KDN 150-500 / 518		41	41	41	40	39	35	
KDN 150-500A / 440		28	28	27	24			
KDN 150-500A / 480		33	33	32	29			
KDN 150-500A / 518		39	39	39	36			

SELECTION TABLE - KDN 200

MODEL	Q=m ³ /h	0	50	100	150	200	250	300	400	450	500	600
	Q=l/min	0	833	1667	2500	3333	4167	5000	6667	7500	8334	10000
KDN 200-330 / 290	H (m)	10		10	10	10	10	10	8	6		
KDN 200-330 / 310		12		12	12	12	12	12	11	8		
KDN 200-330 / 328		14		14	14	14	14	14	13	12	10	
KDN 200-400 / 350		16		16	16	16	16	16	13			
KDN 200-400 / 370		18		18	18	18	18	18	16			
KDN 200-400 / 390		21		21	21	21	20	20	19	17		
KDN 200-400 / 408		23		23	23	23	23	23	22	20		
KDN 200-500 / 430		28		28	28	28	27	27	24	22	20	
KDN 200-500 / 470		34		34	34	34	33	33	30	28	26	
KDN 200-500 / 508		41		41	41	41	40	40	37	36	34	30

SELECTION TABLE - KDN 250

MODEL	Q=m ³ /h	0	50	100	150	200	250	300	400	450	500	600	700	800	1000
	Q=l/min	0	833	1667	2500	3333	4167	5000	6667	7500	8334	10000	11667	13334	16667
KDN 250-330 / 310	H (m)	13		12	12	12	12	11	11	10	10	8	6		
KDN 250-330 / 320		14		13	13	13	13	13	12	12	11	10	8		
KDN 250-330 / 328		15		15	15	14	14	14	13	13	13	11	10		
KDN 250-330 / 275/32°		7		7	7	7	6	6	5	5	4	2			
KDN 250-330 / 275		10		10	9	9	9	9	8	7	7				
KDN 250-330 / 295		12		12	12	11	11	11	10	9	9	7			
KDN 250-400 / 350		16		16	16	16	16	16	15	15	14	12			
KDN 250-400 / 370		19		19	19	19	18	18	18	18	17	15	13		
KDN 250-400 / 390		22		22	22	21	21	21	21	21	20	18			
KDN 250-400 / 408		23		23	23	23	23	23	23	23	22	21	18		
KDN 250-500 / 440		26				26	26	26	25	25	25	24	22	19	
KDN 250-500 / 480		32				32	32	32	32	32	32	31	30	28	
KDN 250-500 / 518		40				40	40	40	40	40	40	40	39	38	31
KDN 250-500A / 440		27				27	27	26	25	24	23	20			
KDN 250-500A / 480		33				33	33	33	32	31	30	27	23		
KDN 250-500A / 518		39				39	39	38	38	37	36	34	31	26	

KDN OVERSIZE - 6 POLES

STANDARDISED CENTRIFUGAL ELECTRIC PUMPS

SELECTION TABLE - KDN 300

MODEL	Q=m ³ /h	0	50	100	150	200	250	300	400	450	500	600	700	800	1000	1200	
	Q=l/min	0	833	1667	2500	3333	4167	5000	6667	7500	8334	10000	11667	13334	16667	20000	
KDN 300-330 / 325/24°	H (m)	9				9	9	9	9	9	8	8	7	6	5		
KDN 300-330 / 325		12				11	11	11	11	11	10	10	9	9	7		
KDN 300-330 / 345		14				13	13	13	13	13	12	12	12	11	9		
KDN 300-400 / 370		20				20	20	20	20	20	20	20	19	18	16		
KDN 300-400 / 390		23				23	23	23	22	22	22	22	21	21	20	17	
KDN 300-400 / 408		26				25	25	25	25	25	25	25	24	24	23	20	
KDN 300-400A / 340		17					17	16	16	16	16	16	16	15	14	11	
KDN 300-400A / 355		18					x	18	18	18	18	18	18	17	16	13	
KDN 300-400A / 370		20					x	20	20	20	20	20	20	19	18	16	
KDN 300-400M / 380/350		10					x	10	10	10	10	10	9	9	8	6	
KDN 300-400M / 380		14					x	14	14	14	14	14	13	13	12	10	6
KDN 300-400M / 395		16					x	16	16	16	16	16	15	15	14	12	9
KDN 300-400M / 408		18					x	18	18	18	18	18	17	17	16	15	11

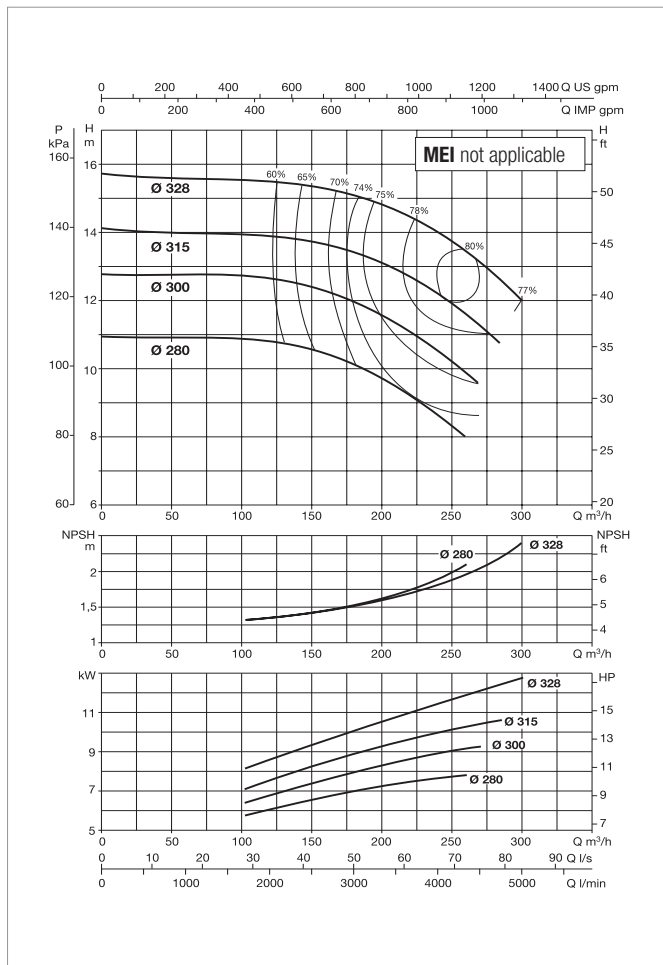
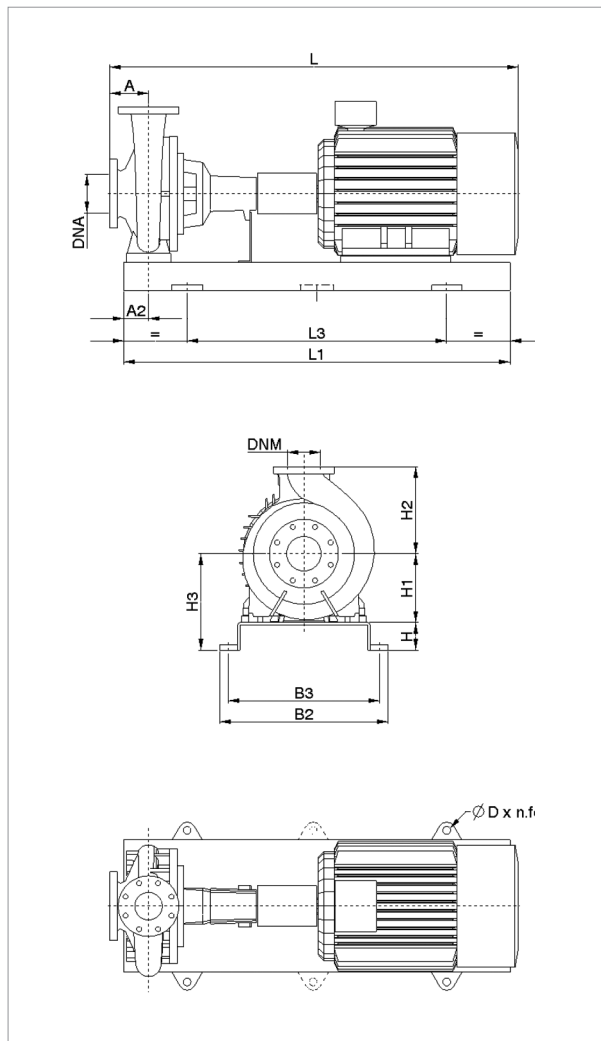
SELECTION TABLE - KDN 350

MODEL	Q=m ³ /h	0	50	100	150	200	250	300	400	450	500	600	700	800	1000	1200	1600	1700	1800	1900	2000		
	Q=l/min	0	833	1667	2500	3333	4167	5000	6667	7500	8334	10000	11667	13334	16667	20000	26667	28334	30001	31667	33334		
KDN 350-500 / 460/430	H (m)	22							22	22	21	21	21	21	20	20	17	16	14				
KDN 350-500 / 460		27								27	27	27	27	26	26	26	25	22	21	19			
KDN 350-500 / 490		31								31	31	31	31	31	30	30	29	26	26	24	23	21	
KDN 350-500 / 518		36								36	36	36	36	36	36	35	35	33	32	31	30	28	
KDN 350-500A / 405/16°		18								18	18	18	18	18	18	17	16	9					
KDN 350-500A / 405/435		22								22	22	22	22	22	22	22	20	16	14				
KDN 350-500A / 435		26								26	26	26	26	25	25	25	24	20	18	16			
KDN 350-500A / 465		29								29	29	29	29	29	29	28	27	24	23	21	19		

KDN 150-330 - 6 POLES - STANDARDISED CENTRIFUGAL ELECTRIC PUMPS FOR AIR CONDITIONING, REFRIGERATION, IRRIGATION, DECANTING, PRESSURISATION SYSTEMS, AND INDUSTRIAL APPLICATIONS

Pumped liquid temperature range: from -10 °C to +120°C - Maximum ambient temperature: +40°C

= 970 1/min



See hydraulic efficiency details on page 291.

The performance curves are based on kinematic viscosity values = 1 mm²/s and density equal to 1000 kg/m³. Curve tolerance according to ISO 9906.

MODEL	ELECTRICAL DATA					
	POWER (kW)	MOTOR SIZE	POWER INPUT 50 Hz	In A		MOTOR TYPE
	6 POLES			IE2	IE3	
KDN 150-330	7.5	160L	3 x 400 V - Δ	16.4	15.80	IE2 / IE3
	11	160L	3 x 400 V - Δ	23.6	23.10	IE2 / IE3
	15	180L	3 x 400 V - Δ	31.5	29.70	IE2 / IE3

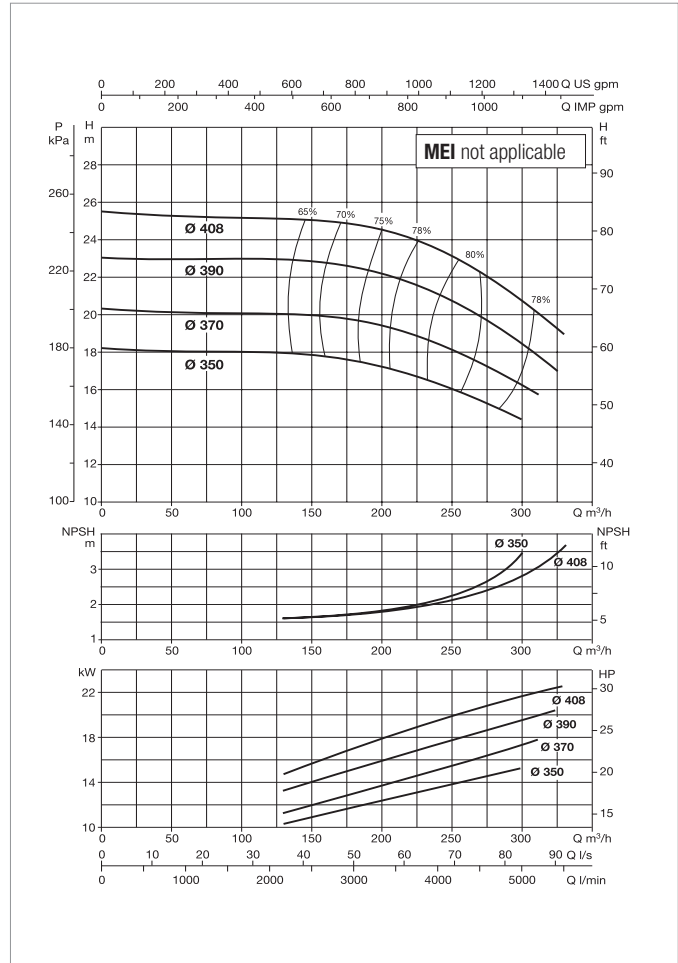
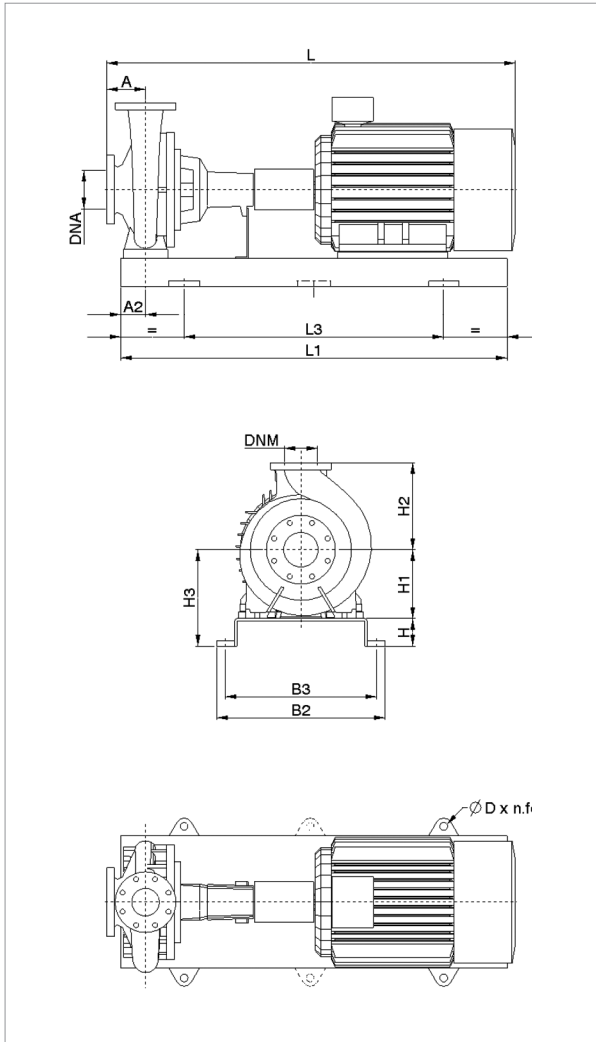
MODEL	POWER (kW)	UNIT DIMENSIONS (mm)											FLANGE DIMENSIONS (mm)		STANDARD COUPLING				SPACER COUPLING				REF.
		A	A2	H	H1	H2	H3	L1	L3	B2	B3	D	DNA	DNM	IE2		IE3		IE2		IE3		
		L	WEIGHT kg	L	WEIGHT kg	L	WEIGHT kg	L	WEIGHT kg	L	WEIGHT kg	L	WEIGHT kg	L	WEIGHT kg								
KDN 150-330	7.5	160	110	100	315	400	415	1800	1200	730	670	28x4	200	150	1504	438	1554	438	1685	453	1735	453	9
	11	160	110	100	315	400	415	1800	1200	730	670	28x4	200	150	1504	438	1554	438	1685	453	1735	453	9
	15	160	110	100	315	400	415	1800	1200	730	670	28x4	200	150	1562	438	1612	438	1743	453	1793	453	9

Dimension and electrical data based on sizing definition following the instructions on page 176.

KDN 150-400 - 6 POLES - STANDARDISED CENTRIFUGAL ELECTRIC PUMPS FOR AIR CONDITIONING, REFRIGERATION, IRRIGATION, DECANTING, PRESSURISATION SYSTEMS, AND INDUSTRIAL APPLICATIONS

Pumped liquid temperature range: from -10 °C to +120°C - Maximum ambient temperature: +40°C

= 970 1/min



See hydraulic efficiency details on page 291.

The performance curves are based on kinematic viscosity values = 1 mm²/s and density equal to 1000 kg/m³. Curve tolerance according to ISO 9906.

MODEL	ELECTRICAL DATA					
	POWER (kW) 6 POLES	MOTOR SIZE	POWER INPUT 50 Hz	In A		MOTOR TYPE
				IE2	IE3	
KDN 150-400	18.5	200L	3 x 400 V - Δ	36.5	36	IE2 / IE3
	22	200L	3 x 400 V - Δ	44	42.50	IE2 / IE3
	30	225M	3 x 400 V - Δ	55	54.80	IE2 / IE3

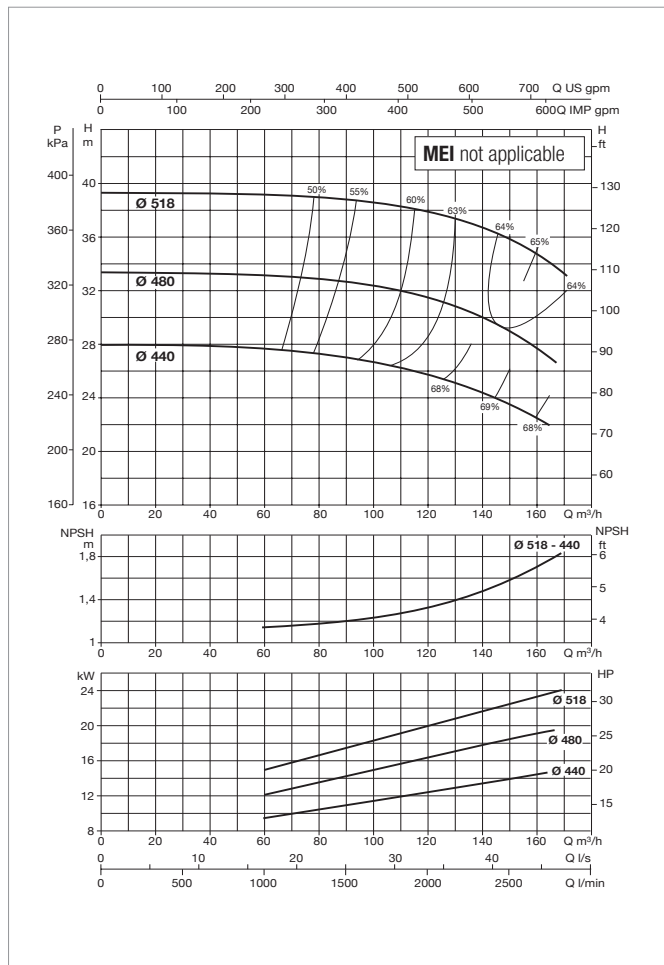
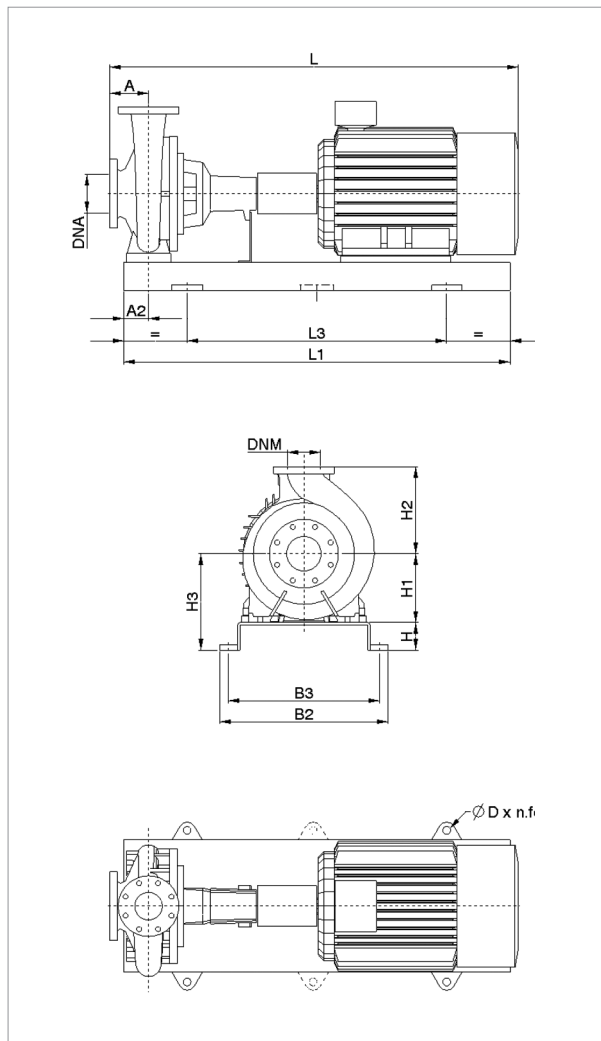
MODEL	POWER (kW)	UNIT DIMENSIONS (mm)										FLANGE DIMENSIONS (mm)		STANDARD COUPLING			SPACER COUPLING			REF.			
		A	A2	H	H1	H2	H3	L1	L3	B2	B3	D	DNA	DNM	IE2		IE3						
		L	WEIGHT kg	L	WEIGHT kg	L	WEIGHT kg	L	WEIGHT kg	L	WEIGHT kg	L	WEIGHT kg										
KDN 150-400	18.5	160	110	100	315	450	415	1800	1200	730	670	28x4	200	150	1604	481	1654	481	1785	496	1835	496	9
	22	160	110	100	315	450	415	1800	1200	730	670	28x4	200	150	1604	481	1654	481	1785	496	1835	496	9
	30	160	110	100	315	450	415	1800	1200	730	670	28x4	200	150	1679	481	1729	481	1860	496	1910	496	9

Dimension and electrical data based on sizing definition following the instructions on page 176.

KDN 150-500A - 6 POLES - STANDARDISED CENTRIFUGAL ELECTRIC PUMPS FOR AIR CONDITIONING, REFRIGERATION, IRRIGATION, DECANTING, PRESSURISATION SYSTEMS, AND INDUSTRIAL APPLICATIONS

Pumped liquid temperature range: from -10 °C to +120°C - Maximum ambient temperature: +40°C

= 970 1/min



See hydraulic efficiency details on page 291.

The performance curves are based on kinematic viscosity values = 1 mm²/s and density equal to 1000 kg/m³. Curve tolerance according to ISO 9906.

MODEL	ELECTRICAL DATA					
	POWER (kW) 6 POLES	MOTOR SIZE	POWER INPUT 50 Hz	In A		MOTOR TYPE
				IE2	IE3	
KDN 150-500A	11	160L	3 x 400 V - Δ	23.6	23.10	IE2 / IE3
	15	180L	3 x 400 V - Δ	31.5	29.70	IE2 / IE3
	18.5	200L	3 x 400 V - Δ	36.5	36	IE2 / IE3
	22	200L	3 x 400 V - Δ	44	42.50	IE2 / IE3
	30	225M	3 x 400 V - Δ	55	54.80	IE2 / IE3

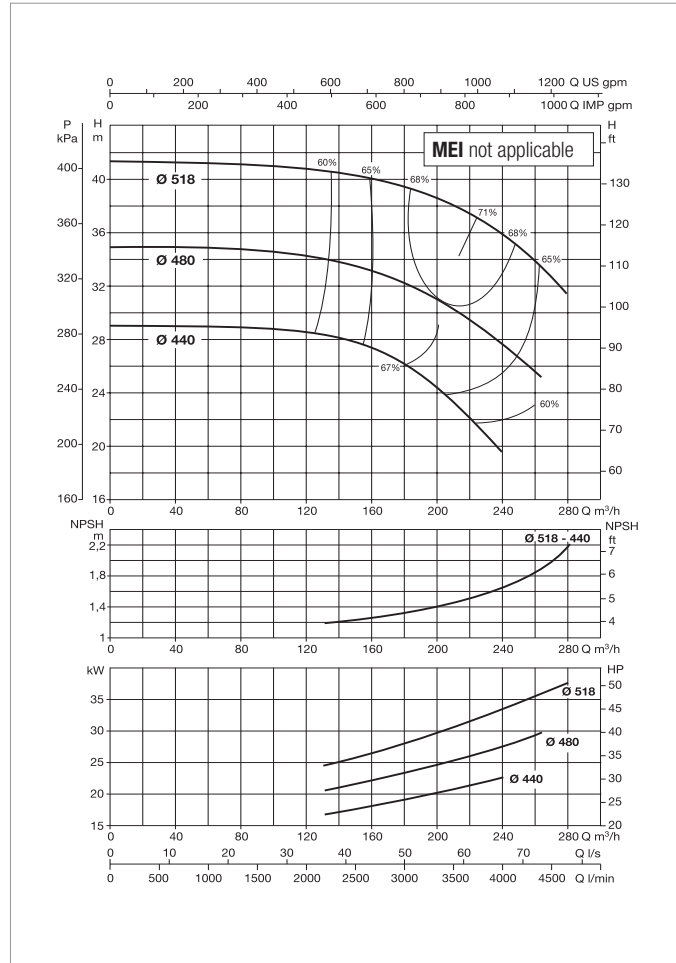
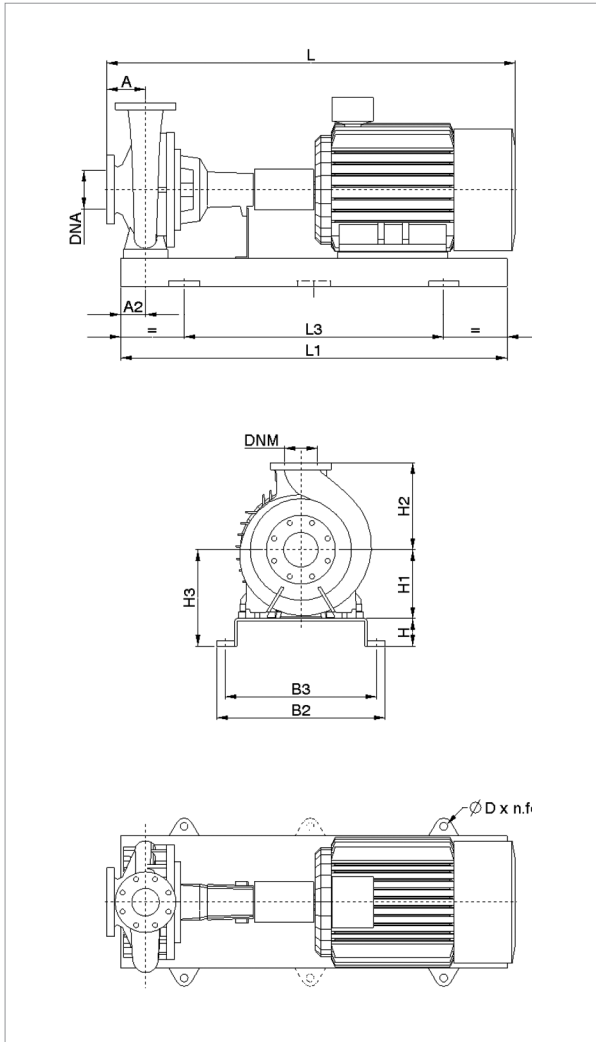
MODEL	POWER (kW)	UNIT DIMENSIONS (mm)										FLANGE DIMENSIONS (mm)		STANDARD COUPLING				SPACER COUPLING				REF.	
		A	A2	H	H1	H2	H3	L1	L3	B2	B3	D	DNA	DNM	IE2		IE3		IE2		IE3		
															L	WEIGHT kg	L	WEIGHT kg	L	WEIGHT kg	L		WEIGHT kg
KDN 150-500A	11	180	110	100	355	500	455	1800	1200	730	670	28x4	200	150	1524	593	1574	593	1705	608	1755	608	9
	15	180	110	100	355	500	455	1800	1200	730	670	28x4	200	150	1582	593	1632	593	1763	608	1813	608	9
	18.5	180	110	100	355	500	455	1800	1200	730	670	28x4	200	150	1624	593	1674	593	1805	608	1855	608	9
	22	180	110	100	355	500	455	1800	1200	730	670	28x4	200	150	1624	593	1674	593	1805	608	1855	608	9
	30	180	110	100	355	500	455	1800	1200	730	670	28x4	200	150	1699	593	1749	593	1880	608	1930	608	9

Dimension and electrical data based on sizing definition following the instructions on page 176.

KDN 150-500 - 6 POLES - STANDARDISED CENTRIFUGAL ELECTRIC PUMPS FOR AIR CONDITIONING, REFRIGERATION, IRRIGATION, DECANTING, PRESSURISATION SYSTEMS, AND INDUSTRIAL APPLICATIONS

Pumped liquid temperature range: from -10 °C to +120°C - Maximum ambient temperature: +40°C

= 970 1/min



See hydraulic efficiency details on page 291.

The performance curves are based on kinematic viscosity values = 1 mm²/s and density equal to 1000 kg/m³. Curve tolerance according to ISO 9906.

MODEL	ELECTRICAL DATA					
	POWER (kW)	MOTOR SIZE	POWER INPUT 50 Hz	In A		MOTOR TYPE
	6 POLES			IE2	IE3	
KDN 150-500	22	200L	3 x 400 V - Δ	44	42.50	IE2 / IE3
	30	225M	3 x 400 V - Δ	55	54.80	IE2 / IE3
	37	250M	3 x 400 V - Δ	69	66.60	IE2 / IE3
	45	280S	3 x 400 V - Δ	85.9	80.60	IE2 / IE3

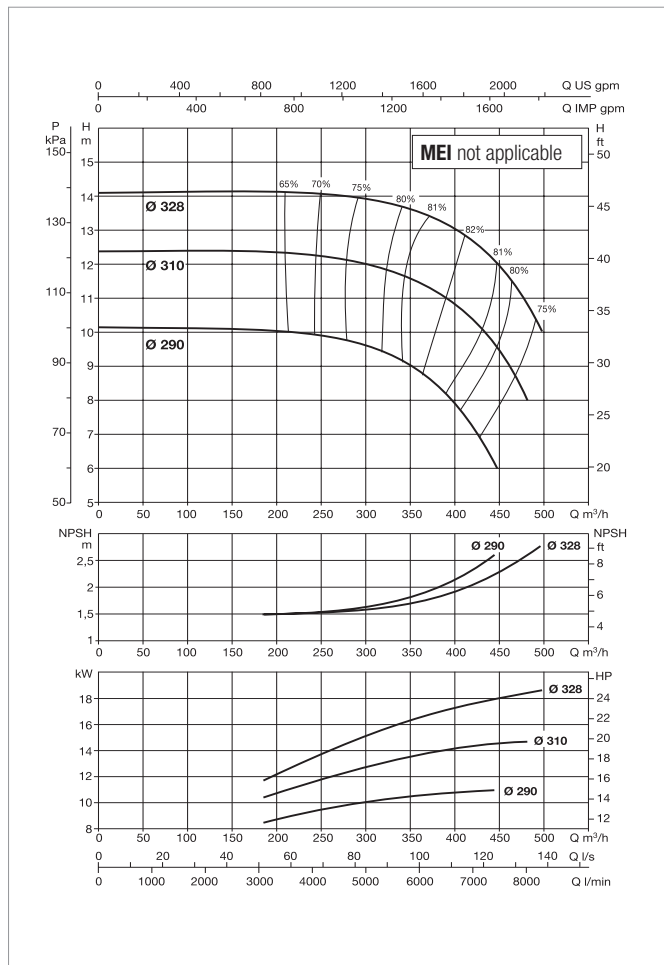
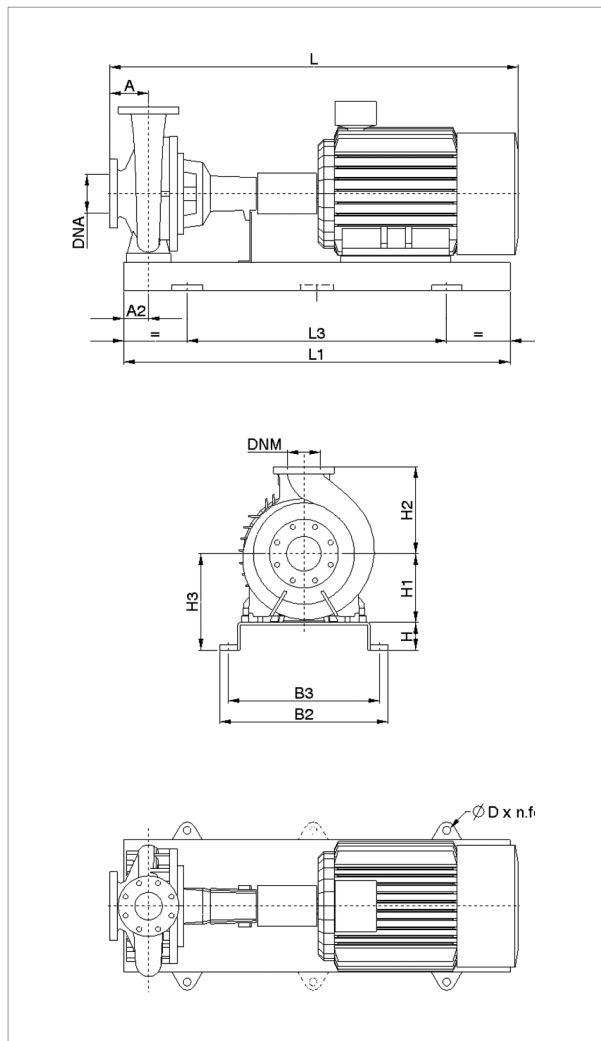
MODEL	POWER (kW)	UNIT DIMENSIONS (mm)											FLANGE DIMENSIONS (mm)		STANDARD COUPLING				SPACER COUPLING				REF.
		A	A2	H	H1	H2	H3	L1	L3	B2	B3	D	DNA	DNM	IE2		IE3		IE2		IE3		
		L	WEIGHT kg	L	WEIGHT kg	L	WEIGHT kg	L	WEIGHT kg	L	WEIGHT kg	L	WEIGHT kg	L	WEIGHT kg	L	WEIGHT kg	L	WEIGHT kg	L	WEIGHT kg		
KDN 150-500	22	180	110	100	355	500	455	1800	1200	730	670	28x4	200	150	1624	593	1674	593	1805	608	1855	608	9
	30	180	110	100	355	500	455	1800	1200	730	670	28x4	200	150	1699	593	1749	593	1880	608	1930	608	9
	37	180	110	100	355	500	455	1800	1200	730	670	28x4	200	150	1769	593	1840	593	1950	608	2021	608	9
	45	180	110	100	355	500	455	1800	1200	730	670	28x4	200	150	1824	593	1895	593	2005	608	2076	608	9

Dimension and electrical data based on sizing definition following the instructions on page 176.

KDN 200-330 - 6 POLES - STANDARDISED CENTRIFUGAL ELECTRIC PUMPS FOR AIR CONDITIONING, REFRIGERATION, IRRIGATION, DECANTING, PRESSURISATION SYSTEMS, AND INDUSTRIAL APPLICATIONS

Pumped liquid temperature range: from -10 °C to +120°C - Maximum ambient temperature: +40°C

= 970 1/min



See hydraulic efficiency details on page 291.

The performance curves are based on kinematic viscosity values = 1 mm²/s and density equal to 1000 kg/m³. Curve tolerance according to ISO 9906.

MODEL	ELECTRICAL DATA					
	POWER (kW) 6 POLES	MOTOR SIZE	POWER INPUT 50 Hz	In A		MOTOR TYPE
				IE2	IE3	
KDN 200-330	11	160L	3 x 400 V - Δ	23.6	23.10	IE2 / IE3
	15	180L	3 x 400 V - Δ	31.5	29.70	IE2 / IE3
	18.5	200L	3 x 400 V - Δ	36.5	36	IE2 / IE3
	22	200L	3 x 400 V - Δ	44	42.50	IE2 / IE3
	30	225M	3 x 400 V - Δ	55	54.80	IE2 / IE3

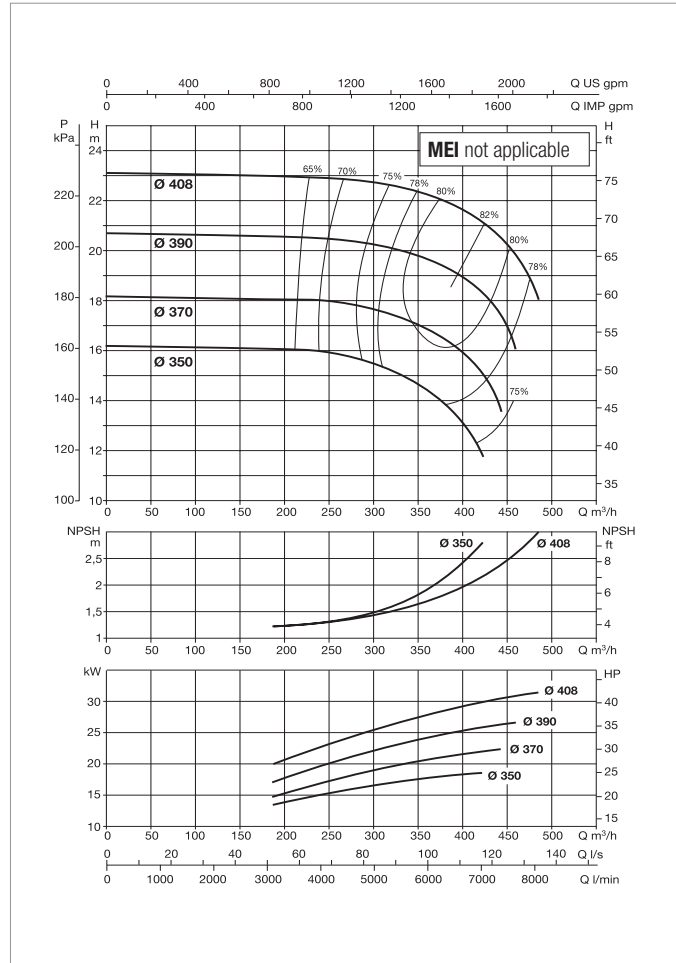
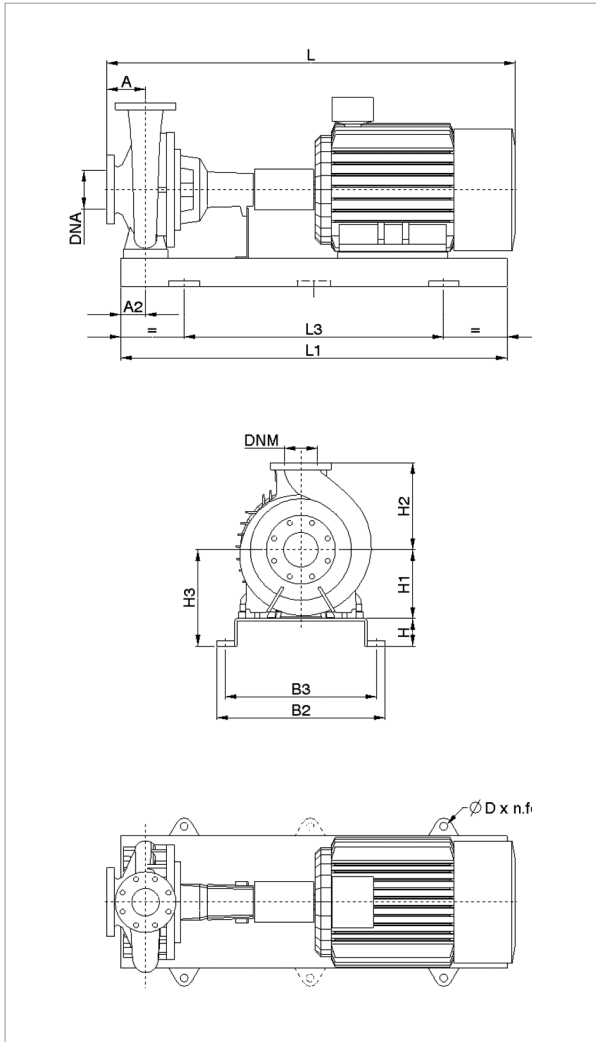
MODEL	POWER (kW)	UNIT DIMENSIONS (mm)											FLANGE DIMENSIONS (mm)		STANDARD COUPLING				SPACER COUPLING				REF.
		A	A2	H	H1	H2	H3	L1	L3	B2	B3	D	DNA	DNM	IE2		IE3		IE2		IE3		
															L	WEIGHT kg	L	WEIGHT kg	L	WEIGHT kg	L	WEIGHT kg	
KDN 200-330	11	200	110	100	355	450	455	1800	1200	730	670	28x4	250	200	1544	543	1594	543	1725	558	1775	558	9
	15	200	110	100	355	450	455	1800	1200	730	670	28x4	250	200	1602	543	1652	543	1783	558	1833	558	9
	18.5	200	110	100	355	450	455	1800	1200	730	670	28x4	250	200	1644	543	1694	543	1825	558	1875	558	9
	22	200	110	100	355	450	455	1800	1200	730	670	28x4	250	200	1644	543	1694	543	1825	558	1875	558	9
	30	200	110	100	355	450	455	1800	1200	730	670	28x4	250	200	1719	543	1769	543	1900	558	1950	558	9

Dimension and electrical data based on sizing definition following the instructions on page 176.

KDN 200-400 - 6 POLES - STANDARDISED CENTRIFUGAL ELECTRIC PUMPS FOR AIR CONDITIONING, REFRIGERATION, IRRIGATION, DECANTING, PRESSURISATION SYSTEMS, AND INDUSTRIAL APPLICATIONS

Pumped liquid temperature range: from -10 °C to +120°C - Maximum ambient temperature: +40°C

= 970 1/min



See hydraulic efficiency details on page 291.

The performance curves are based on kinematic viscosity values = 1 mm²/s and density equal to 1000 kg/m³. Curve tolerance according to ISO 9906.

MODEL	ELECTRICAL DATA					
	POWER (kW) 6 POLES	MOTOR SIZE	POWER INPUT 50 Hz	In A		MOTOR TYPE
				IE2	IE3	
KDN 200-400	15	180L	3 x 400 V - Δ	31.5	29.70	IE2 / IE3
	18.5	200L	3 x 400 V - Δ	36.5	36	IE2 / IE3
	22	200L	3 x 400 V - Δ	44	42.50	IE2 / IE3
	30	225M	3 x 400 V - Δ	55	54.80	IE2 / IE3
	37	250M	3 x 400 V - Δ	69	66.60	IE2 / IE3

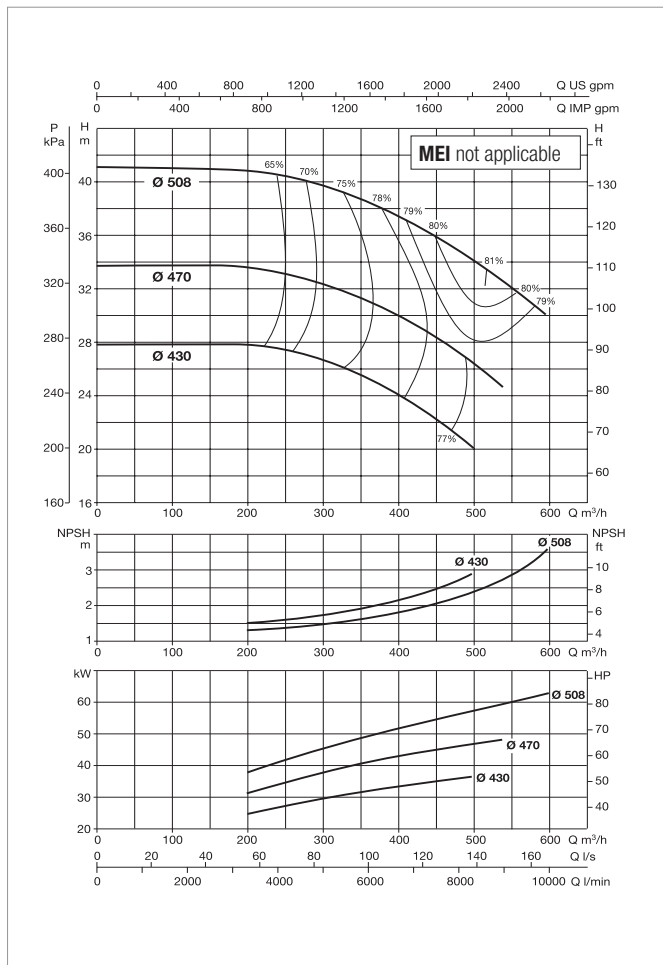
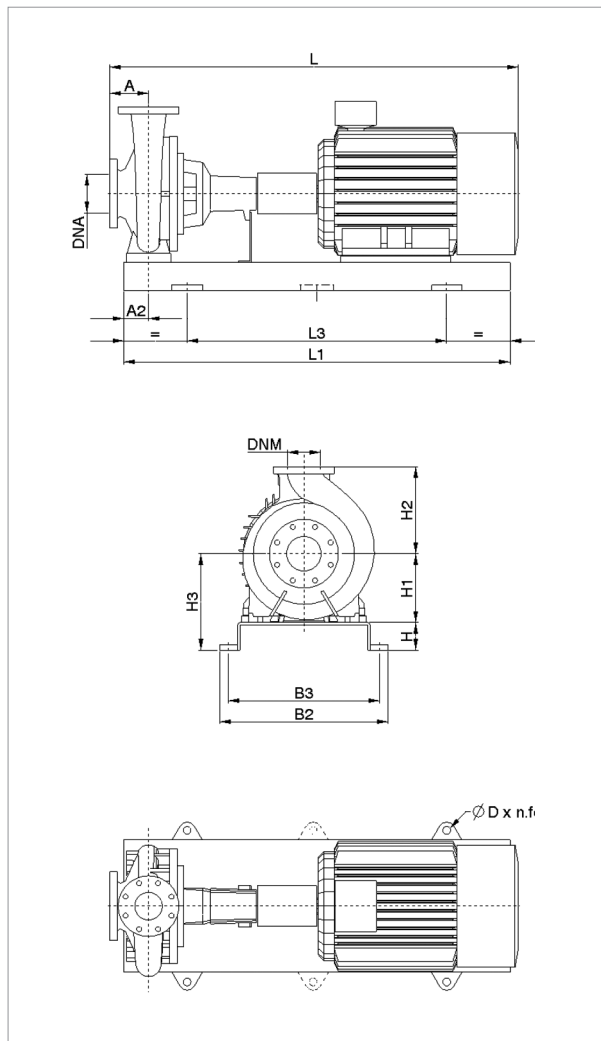
MODEL	POWER (kW)	UNIT DIMENSIONS (mm)										FLANGE DIMENSIONS (mm)		STANDARD COUPLING				SPACER COUPLING				REF.	
		A	A2	H	H1	H2	H3	L1	L3	B2	B3	D	DNA	DNM	IE2		IE3		IE2		IE3		
															L	WEIGHT kg	L	WEIGHT kg	L	WEIGHT kg	L		WEIGHT kg
KDN 200-400	15	185	110	100	355	500	455	1800	1200	730	670	28x4	250	200	1587	573	1637	573	1768	588	1818	588	9
	18.5	185	110	100	355	500	455	1800	1200	730	670	28x4	250	200	1629	573	1679	573	1810	588	1860	588	9
	22	185	110	100	355	500	455	1800	1200	730	670	28x4	250	200	1629	573	1679	573	1810	588	1860	588	9
	30	185	110	100	355	500	455	1800	1200	730	670	28x4	250	200	1704	573	1754	573	1885	588	1935	588	9
	37	185	110	100	355	500	455	1800	1200	730	670	28x4	250	200	1774	573	1845	573	1955	588	2026	588	9

Dimension and electrical data based on sizing definition following the instructions on page 176.

KDN 200-500 - 6 POLES - STANDARDISED CENTRIFUGAL ELECTRIC PUMPS FOR AIR CONDITIONING, REFRIGERATION, IRRIGATION, DECANTING, PRESSURISATION SYSTEMS, AND INDUSTRIAL APPLICATIONS

Pumped liquid temperature range: from -10 °C to +120°C - Maximum ambient temperature: +40°C

= 970 1/min



See hydraulic efficiency details on page 291.

The performance curves are based on kinematic viscosity values = 1 mm²/s and density equal to 1000 kg/m³. Curve tolerance according to ISO 9906.

MODEL	ELECTRICAL DATA					
	POWER (kW) 6 POLES	MOTOR SIZE	POWER INPUT 50 Hz	In A		MOTOR TYPE
				IE2	IE3	
KDN 200-500	22	200L	3 x 400 V - Δ	44	42.50	IE2 / IE3
	30	225M	3 x 400 V - Δ	55	54.80	IE2 / IE3
	37	250M	3 x 400 V - Δ	69	66.60	IE2 / IE3
	45	280S	3 x 400 V - Δ	85.9	80.60	IE2 / IE3
	55	280M	3 x 400 V - Δ	103	98.10	IE2 / IE3
	75	315S	3 x 400 V - Δ	134	135	IE2 / IE3

MODEL	POWER (kW)	UNIT DIMENSIONS (mm)										FLANGE DIMENSIONS (mm)		STANDARD COUPLING				SPACER COUPLING				
		A	A2	H	H1	H2	H3	L1	L3	B2	B3	D	DNA	DNM	IE2		IE3		IE2		IE3	
															L	WEIGHT kg	L	WEIGHT kg	L	WEIGHT kg	L	WEIGHT kg
KDN 200-500	22	185	145	185	400	580	(*)	(*)	(*)	(*)	(*)	250	200	1935	1010	1985	1010	2115	1037	2165	1037	
	30	185	145	185	400	580	(*)	(*)	(*)	(*)	(*)	250	200	1935	1070	1985	1070	2115	1097	2165	1097	
	37	185	145	185	400	580	(*)	(*)	(*)	(*)	(*)	250	200	1935	1105	2006	1105	2115	1132	2186	1132	
	45	185	145	185	400	580	585	1650	1050	960	915	20x4	250	200	1935	1120	2006	1120	2115	1135	2186	1135
	55	185	145	185	400	580	585	1650	1050	960	915	20x4	250	200	1935	1120	2006	1120	2115	1135	2186	1135
	75	185	145	205	400	580	605	1800	1200	960	915	20x4	250	200	2025	1600	2096	1600	2205	1615	2276	1615

Dimension and electrical data based on sizing definition following the instructions on page 176.

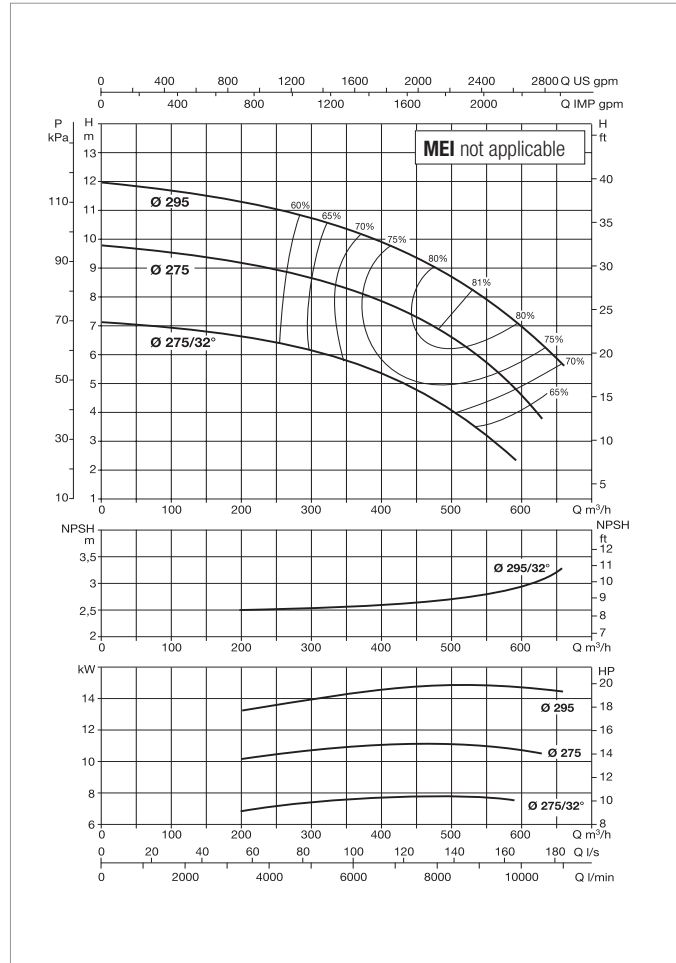
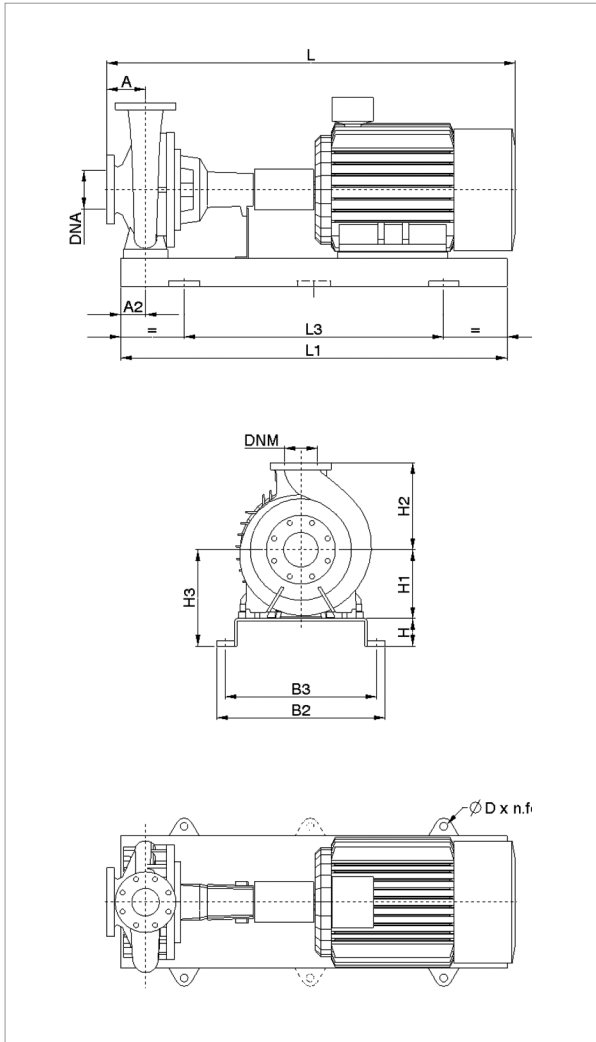
(*) Data on request.



KDN 250-330A - 6 POLES - STANDARDISED CENTRIFUGAL ELECTRIC PUMPS FOR AIR CONDITIONING, REFRIGERATION, IRRIGATION, DECANTING, PRESSURISATION SYSTEMS, AND INDUSTRIAL APPLICATIONS

Pumped liquid temperature range: from -10 °C to +120°C - Maximum ambient temperature: +40°C

= 970 1/min



See hydraulic efficiency details on page 291.

The performance curves are based on kinematic viscosity values = 1 mm²/s and density equal to 1000 kg/m³. Curve tolerance according to ISO 9906.

MODEL	ELECTRICAL DATA					
	POWER (kW)	MOTOR SIZE	POWER INPUT 50 Hz	In A		MOTOR TYPE
	6 POLES			IE2	IE3	
KDN 250-330A	7.5	160L	3 x 400 V - Δ	16.4	15.80	IE2 / IE3
	11	160L	3 x 400 V - Δ	23.6	23.10	IE2 / IE3
	15	180L	3 x 400 V - Δ	31.5	29.70	IE2 / IE3

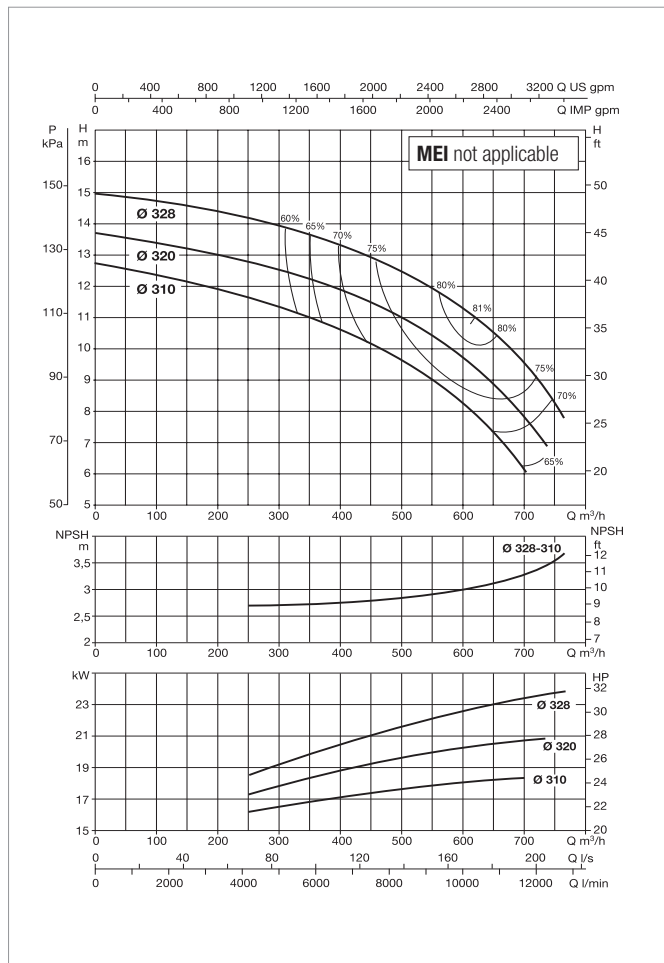
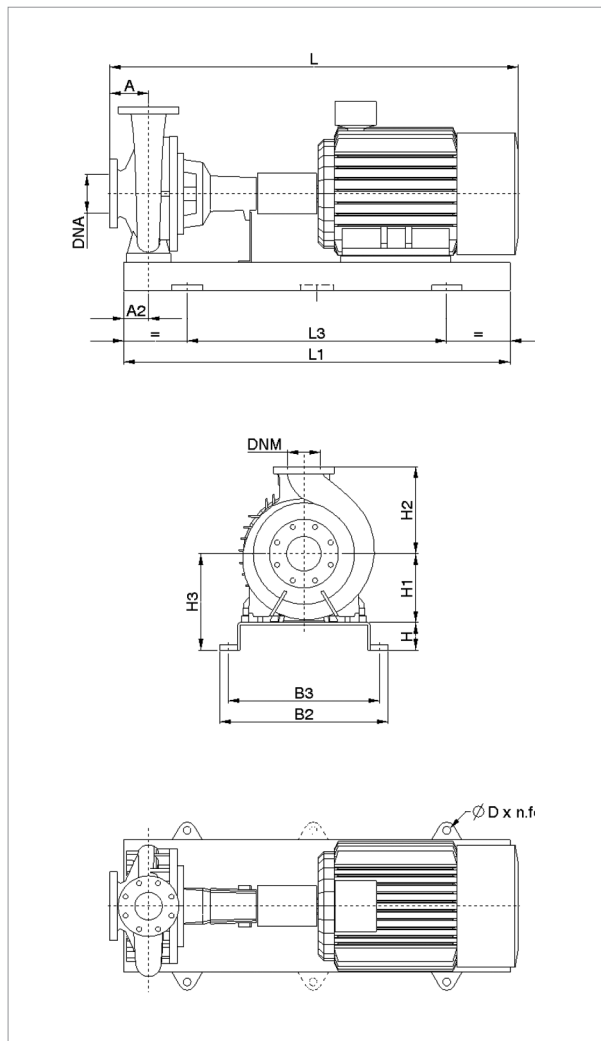
MODEL	POWER (kW)	UNIT DIMENSIONS (mm)											FLANGE DIMENSIONS (mm)		STANDARD COUPLING				SPACER COUPLING				REF.
		A	A2	H	H1	H2	H3	L1	L3	B2	B3	D	DNA	DNM	IE2		IE3		IE2		IE3		
		L	WEIGHT kg	L	WEIGHT kg	L	WEIGHT kg	L	WEIGHT kg														
KDN 250-330A	7.5	250	135	120	400	525	520	2000	1340	910	830	28x4	300	250	924	647	974	647	1165	662	1215	662	10
	11	250	135	120	400	525	520	2000	1340	910	830	28x4	300	250	924	647	974	647	1165	662	1215	662	10
	15	250	135	120	400	525	520	2000	1340	910	830	28x4	300	250	924	647	974	647	1165	662	1215	662	10

Dimension and electrical data based on sizing definition following the instructions on page 176.

KDN 250-330 - 6 POLES - STANDARDISED CENTRIFUGAL ELECTRIC PUMPS FOR AIR CONDITIONING, REFRIGERATION, IRRIGATION, DECANTING, PRESSURISATION SYSTEMS, AND INDUSTRIAL APPLICATIONS

Pumped liquid temperature range: from -10 °C to +120°C - Maximum ambient temperature: +40°C

= 970 1/min



See hydraulic efficiency details on page 291.

The performance curves are based on kinematic viscosity values = 1 mm²/s and density equal to 1000 kg/m³. Curve tolerance according to ISO 9906.

MODEL	ELECTRICAL DATA					
	POWER (kW)	MOTOR SIZE	POWER INPUT 50 Hz	In A		MOTOR TYPE
	6 POLES			IE2	IE3	
KDN 250-330	15	180L	3 x 400 V - Δ	31.5	29.70	IE2 / IE3
	18.5	200L	3 x 400 V - Δ	36.5	36	IE2 / IE3
	22	200L	3 x 400 V - Δ	44	42.50	IE2 / IE3
	30	225M	3 x 400 V - Δ	55	54.80	IE2 / IE3

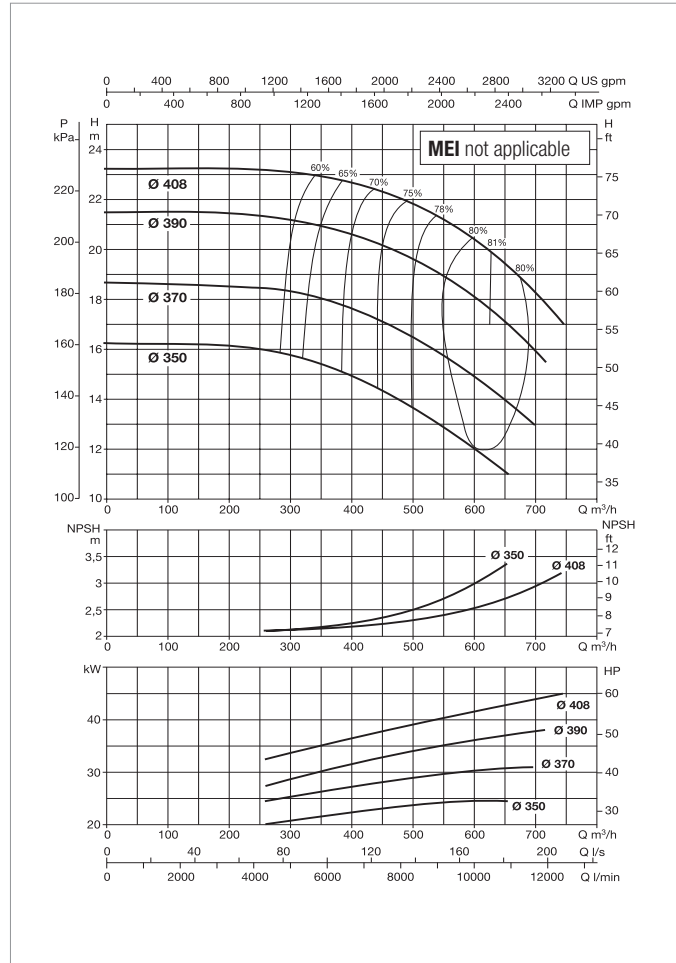
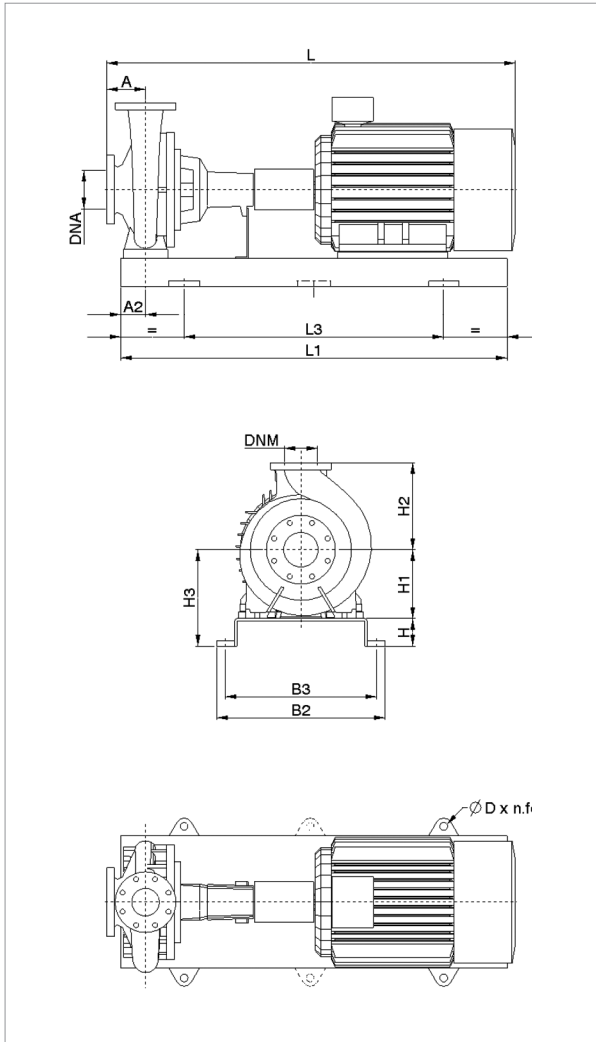
MODEL	POWER (kW)	UNIT DIMENSIONS (mm)											FLANGE DIMENSIONS (mm)		STANDARD COUPLING				SPACER COUPLING				REF.
		A	A2	H	H1	H2	H3	L1	L3	B2	B3	D	DNA	DNM	IE2		IE3		IE2		IE3		
		L	WEIGHT kg	L	WEIGHT kg	L	WEIGHT kg	L	WEIGHT kg	L	WEIGHT kg	L	WEIGHT kg	L	WEIGHT kg	L	WEIGHT kg	L	WEIGHT kg				
KDN 250-330	15	250	135	120	400	525	520	2000	1340	910	830	28x4	300	250	924	647	974	647	1165	662	1215	662	10
	18.5	250	135	120	400	525	520	2000	1340	910	830	28x4	300	250	924	647	974	647	1165	662	1215	662	10
	22	250	135	120	400	525	520	2000	1340	910	830	28x4	300	250	924	647	974	647	1165	662	1215	662	10
	30	250	135	120	400	525	520	2000	1340	910	830	28x4	300	250	924	647	974	647	1165	662	1215	662	10

Dimension and electrical data based on sizing definition following the instructions on page 176.

KDN 250-400 - 6 POLES - STANDARDISED CENTRIFUGAL ELECTRIC PUMPS FOR AIR CONDITIONING, REFRIGERATION, IRRIGATION, DECANTING, PRESSURISATION SYSTEMS, AND INDUSTRIAL APPLICATIONS

Pumped liquid temperature range: from -10 °C to +120°C - Maximum ambient temperature: +40°C

= 970 1/min



See hydraulic efficiency details on page 291.

The performance curves are based on kinematic viscosity values = 1 mm²/s and density equal to 1000 kg/m³. Curve tolerance according to ISO 9906.

MODEL	ELECTRICAL DATA					
	POWER (kW)	MOTOR SIZE	POWER INPUT 50 Hz	In A		MOTOR TYPE
	6 POLES			IE2	IE3	
KDN 250-400	37	250M	3 x 400 V - Δ	69	66.60	IE2 / IE3
	45	280S	3 x 400 V - Δ	85.9	80.60	IE2 / IE3
	55	280M	3 x 400 V - Δ	103	98.10	IE2 / IE3
	75	315S	3 x 400 V - Δ	134	135	IE2 / IE3

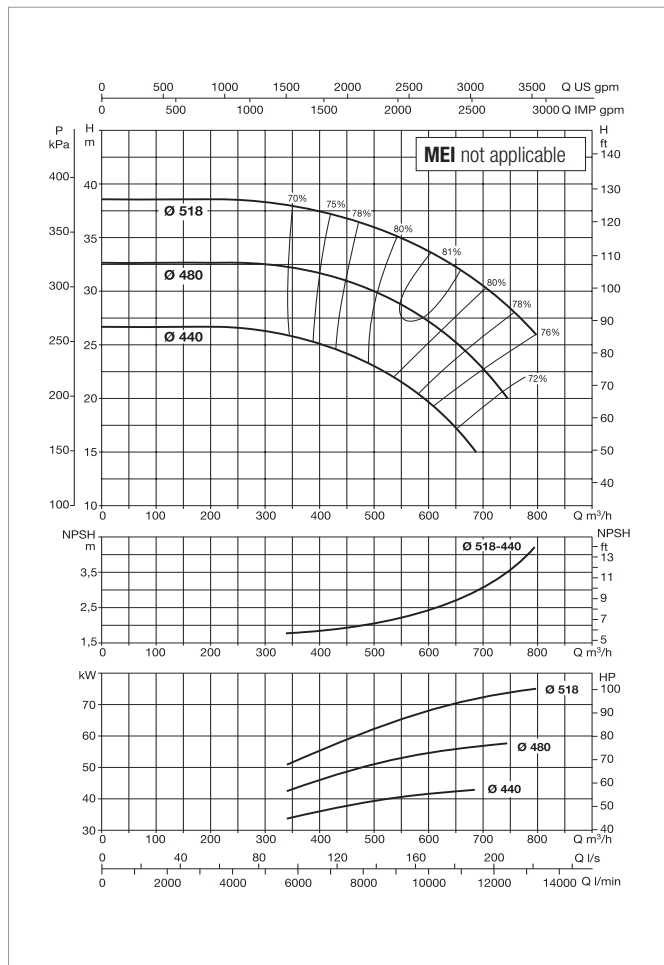
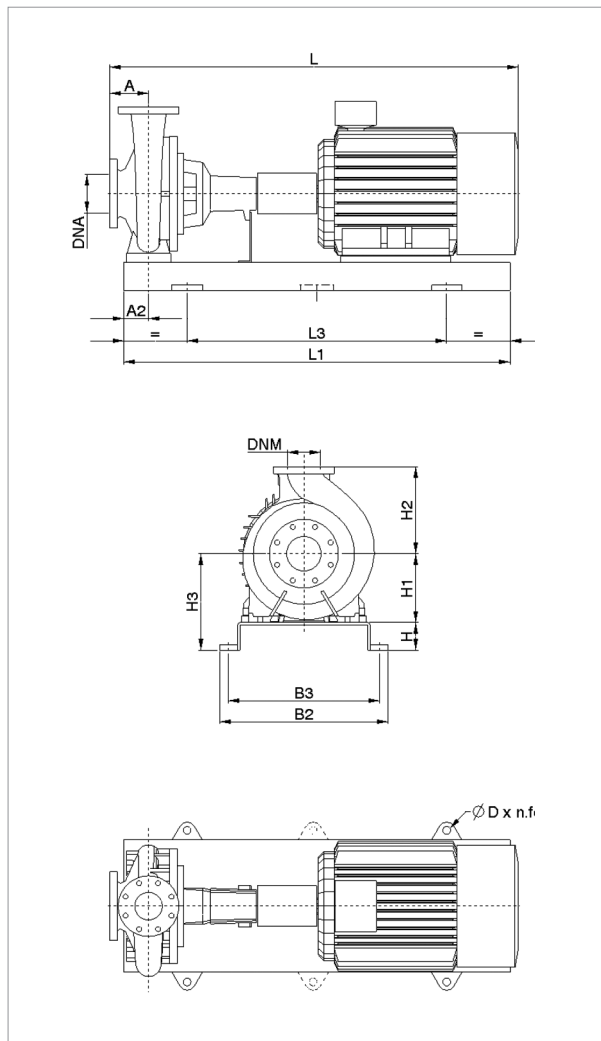
MODEL	POWER (kW)	UNIT DIMENSIONS (mm)											FLANGE DIMENSIONS (mm)		STANDARD COUPLING				SPACER COUPLING				REF.
		A	A2	H	H1	H2	H3	L1	L3	B2	B3	D	DNA	DNM	IE2		IE3		IE2		IE3		
		L	WEIGHT kg	L	WEIGHT kg	L	WEIGHT kg	L	WEIGHT kg	L	WEIGHT kg	L	WEIGHT kg	L	WEIGHT kg	L	WEIGHT kg	L	WEIGHT kg				
KDN 250-400	37	225	135	120	400	600	520	2000	1340	910	830	28x4	300	250	1009	887	1080	887	1190	902	1261	902	10
	45	225	135	120	400	600	520	2000	1340	910	830	28x4	300	250	1009	887	1080	887	1190	902	1261	902	10
	55	225	135	120	400	600	520	2000	1340	910	830	28x4	300	250	1009	887	1080	887	1190	902	1261	902	10
	75	225	135	120	400	600	520	2000	1340	910	830	28x4	300	250	1009	887	1080	887	1190	902	1261	902	10

Dimension and electrical data based on sizing definition following the instructions on page 176.

KDN 250-500A - 6 POLES - STANDARDISED CENTRIFUGAL ELECTRIC PUMPS FOR AIR CONDITIONING, REFRIGERATION, IRRIGATION, DECANTING, PRESSURISATION SYSTEMS, AND INDUSTRIAL APPLICATIONS

Pumped liquid temperature range: from -10 °C to +120°C - Maximum ambient temperature: +40°C

= 970 1/min



See hydraulic efficiency details on page 291.

The performance curves are based on kinematic viscosity values = 1 mm²/s and density equal to 1000 kg/m³. Curve tolerance according to ISO 9906.

MODEL	ELECTRICAL DATA					
	POWER (kW) 6 POLES	MOTOR SIZE	POWER INPUT 50 Hz	In A		MOTOR TYPE
				IE2	IE3	
KDN 250-500A	37	250M	3 x 400 V - Δ	69	66.60	IE2 / IE3
	45	280S	3 x 400 V - Δ	85.9	80.60	IE2 / IE3
	55	280M	3 x 400 V - Δ	103	98.10	IE2 / IE3
	75	315S	3 x 400 V - Δ	134	135	IE2 / IE3
	90	315M	3 x 400 V - Δ	162	159	IE2 / IE3

MODEL	POWER (kW)	UNIT DIMENSIONS (mm)										FLANGE DIMENSIONS (mm)		STANDARD COUPLING				SPACER COUPLING								
		A	A2	H	H1	H2	H3	L1	L3	B2	B3	D	DNA	DNM	IE2		IE3		IE2		IE3					
		L	WEIGHT kg	L	WEIGHT kg	L	WEIGHT kg	L	WEIGHT kg	L	WEIGHT kg	L	WEIGHT kg	L	WEIGHT kg	L	WEIGHT kg	L	WEIGHT kg	L	WEIGHT kg					
KDN 250-500A	37	300	155	210	500	500	(*)	(*)	(*)	(*)	(*)	(*)	300	250	(*)	(*)	(*)	(*)	(*)	(*)	(*)	(*)	(*)	(*)	(*)	(*)
	45	300	155	210	500	500	(*)	(*)	(*)	(*)	(*)	(*)	300	250	(*)	(*)	(*)	(*)	(*)	(*)	(*)	(*)	(*)	(*)	(*)	(*)
	55	300	155	210	500	500	(*)	(*)	(*)	(*)	(*)	(*)	300	250	(*)	(*)	(*)	(*)	(*)	(*)	(*)	(*)	(*)	(*)	(*)	(*)
	75	300	155	210	500	500	(*)	(*)	(*)	(*)	(*)	(*)	300	250	(*)	(*)	(*)	(*)	(*)	(*)	(*)	(*)	(*)	(*)	(*)	(*)
	90	300	155	210	500	500	(*)	(*)	(*)	(*)	(*)	(*)	300	250	(*)	(*)	(*)	(*)	(*)	(*)	(*)	(*)	(*)	(*)	(*)	(*)

Dimension and electrical data based on sizing definition following the instructions on page 176.

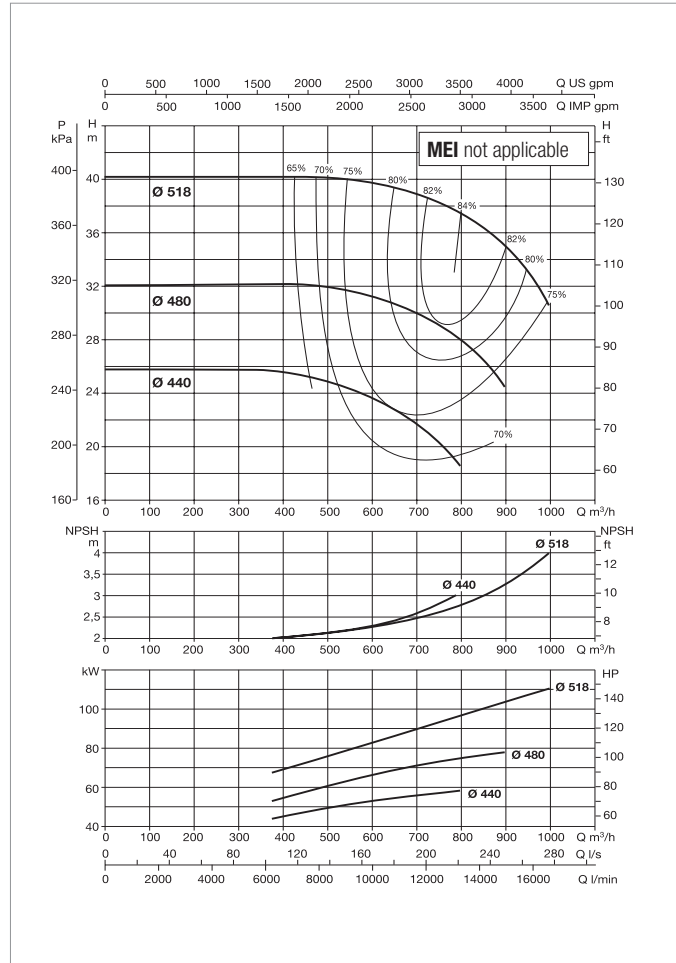
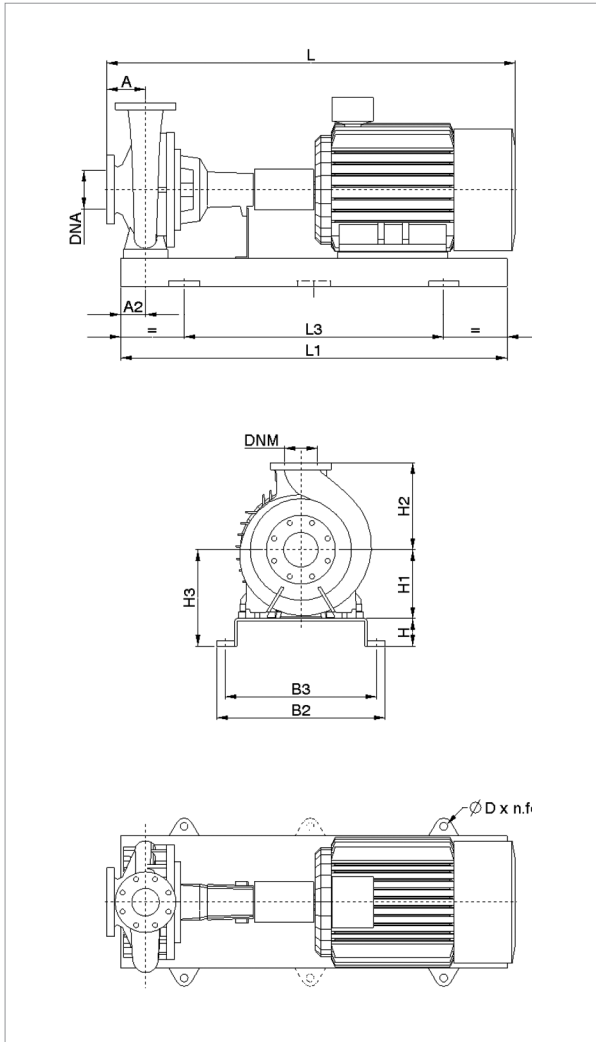
(*) Data on request.



KDN 250-500 - 6 POLES - STANDARDISED CENTRIFUGAL ELECTRIC PUMPS FOR AIR CONDITIONING, REFRIGERATION, IRRIGATION, DECANTING, PRESSURISATION SYSTEMS, AND INDUSTRIAL APPLICATIONS

Pumped liquid temperature range: from -10 °C to +120°C - Maximum ambient temperature: +40°C

= 970 1/min



See hydraulic efficiency details on page 291.

The performance curves are based on kinematic viscosity values = 1 mm²/s and density equal to 1000 kg/m³. Curve tolerance according to ISO 9906.

MODEL	ELECTRICAL DATA					
	POWER (kW) 6 POLES	MOTOR SIZE	POWER INPUT 50 Hz	In A		MOTOR TYPE
				IE2	IE3	
KDN 250-500	45	280S	3 x 400 V - Δ	85.9	80.60	IE2 / IE3
	55	280M	3 x 400 V - Δ	103	98.10	IE2 / IE3
	75	315S	3 x 400 V - Δ	134	135	IE2 / IE3
	90	315M	3 x 400 V - Δ	162	159	IE2 / IE3
	110	315M	3 x 400 V - Δ	194	192	IE2 / IE3
	132	315M	3 x 400 V - Δ	(*)	(*)	IE2 / IE3

MODEL	POWER (kW)	UNIT DIMENSIONS (mm)										FLANGE DIMENSIONS (mm)		STANDARD COUPLING				SPACER COUPLING					
		A	A2	H	H1	H2	H3	L1	L3	B2	B3	D	DNA	DNM	IE2		IE3		IE2		IE3		
															L	WEIGHT kg	L	WEIGHT kg	L	WEIGHT kg	L	WEIGHT kg	
KDN 250-500	45	300	155	210	500	500	(*)	(*)	(*)	(*)	(*)	300	250	(*)	(*)	(*)	(*)	(*)	(*)	(*)	(*)	(*)	(*)
	55	300	155	210	500	500	(*)	(*)	(*)	(*)	(*)	300	250	(*)	(*)	(*)	(*)	(*)	(*)	(*)	(*)	(*)	(*)
	75	300	155	210	500	500	(*)	(*)	(*)	(*)	(*)	300	250	(*)	(*)	(*)	(*)	(*)	(*)	(*)	(*)	(*)	(*)
	90	300	155	210	500	500	(*)	(*)	(*)	(*)	(*)	300	250	(*)	(*)	(*)	(*)	(*)	(*)	(*)	(*)	(*)	(*)
	110	300	155	210	500	500	710	2250	825	995	950	20x4	300	250	2280	2350	2368	(*)	2530	2365	2618	(*)	(*)
	132	300	155	210	500	500	(*)	(*)	(*)	(*)	(*)	300	250	(*)	(*)	(*)	(*)	(*)	(*)	(*)	(*)	(*)	(*)

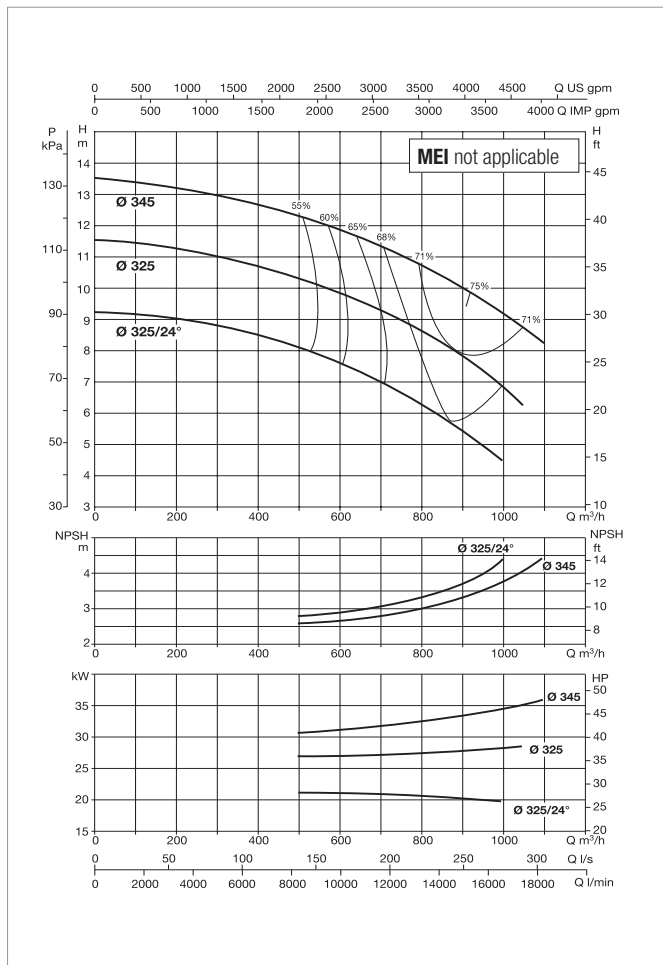
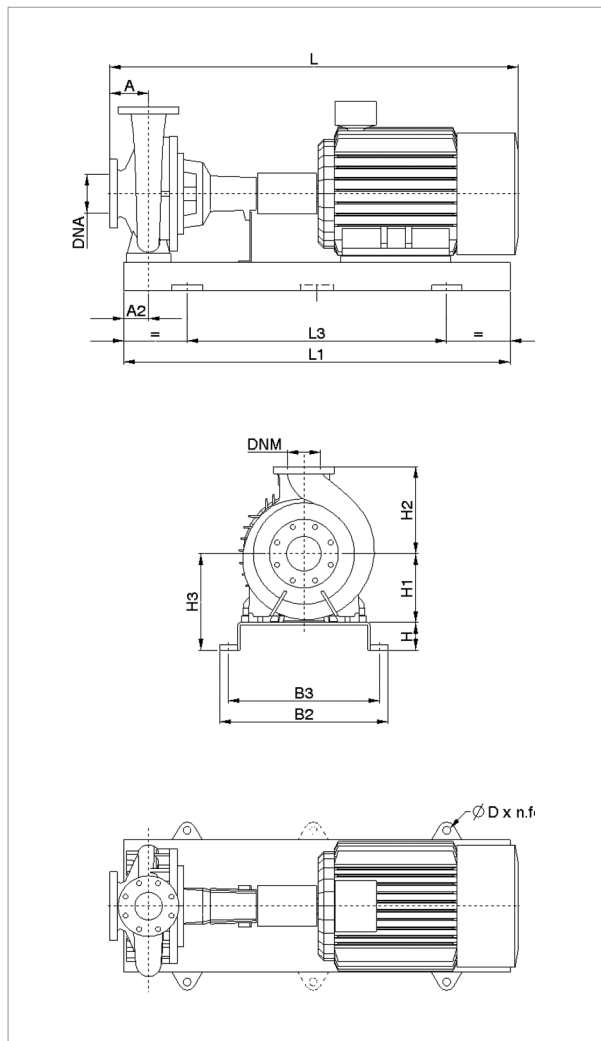
Dimension and electrical data based on sizing definition following the instructions on page 176.

(*) Data on request.

KDN 300-330 - 6 POLES - STANDARDISED CENTRIFUGAL ELECTRIC PUMPS FOR AIR CONDITIONING, REFRIGERATION, IRRIGATION, DECANTING, PRESSURISATION SYSTEMS, AND INDUSTRIAL APPLICATIONS

Pumped liquid temperature range: from -10 °C to +120°C - Maximum ambient temperature: +40°C

= 970 1/min



See hydraulic efficiency details on page 291.

The performance curves are based on kinematic viscosity values = 1 mm²/s and density equal to 1000 kg/m³. Curve tolerance according to ISO 9906.

MODEL	ELECTRICAL DATA					
	POWER (kW)	MOTOR SIZE	POWER INPUT 50 Hz	In A		MOTOR TYPE
	6 POLES			IE2	IE3	
KDN 300-330	22	200L	3 x 400 V - Δ	44	42.50	IE2 / IE3
	30	225M	3 x 400 V - Δ	55	54.80	IE2 / IE3
	37	250M	3 x 400 V - Δ	69	66.60	IE2 / IE3

MODEL	POWER (kW)	UNIT DIMENSIONS (mm)										FLANGE DIMENSIONS (mm)		STANDARD COUPLING				SPACER COUPLING						
		A	A2	H	H1	H2	H3	L1	L3	B2	B3	D	DNA	DNM	IE2		IE3		IE2		IE3			
		L	WEIGHT kg	L	WEIGHT kg	L	WEIGHT kg	L	WEIGHT kg															
KDN 300-330	22	300	230	185	500	670	(*)	(*)	(*)	(*)	(*)	(*)	350	300	(*)	(*)	(*)	(*)	(*)	(*)	(*)	(*)	(*)	(*)
	30	300	230	185	500	670	(*)	(*)	(*)	(*)	(*)	(*)	350	300	(*)	(*)	(*)	(*)	(*)	(*)	(*)	(*)	(*)	(*)
	37	300	230	185	500	670	(*)	(*)	(*)	(*)	(*)	(*)	350	300	(*)	(*)	(*)	(*)	(*)	(*)	(*)	(*)	(*)	(*)

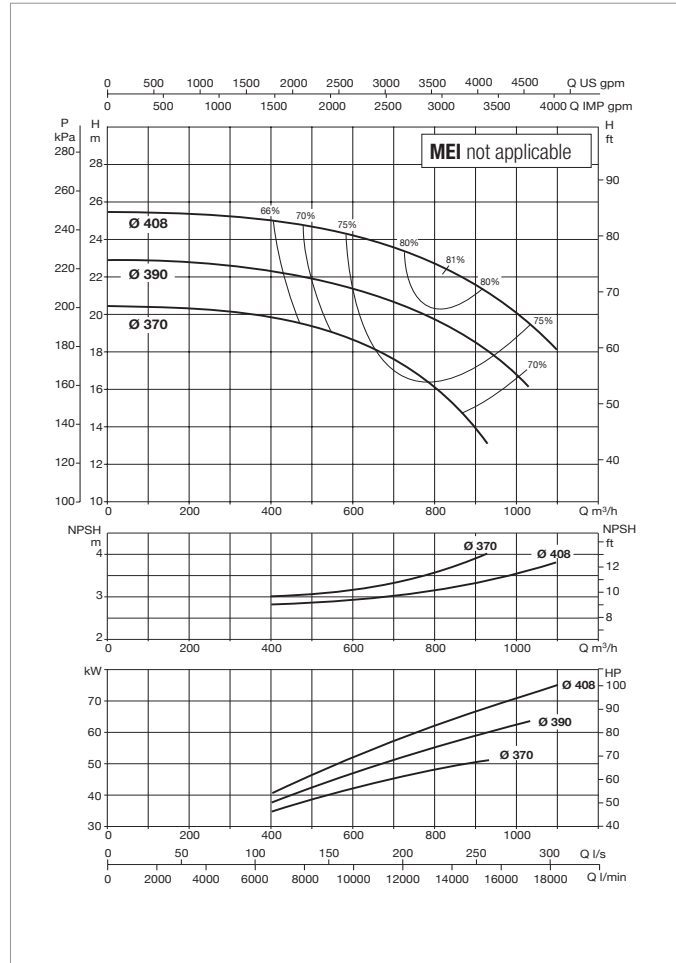
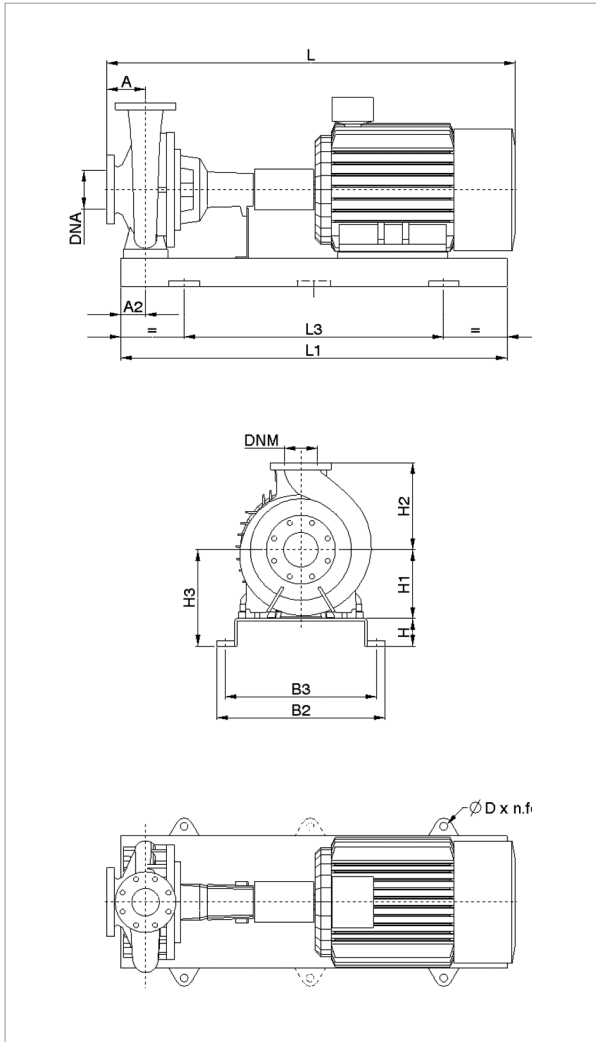
Dimension and electrical data based on sizing definition following the instructions on page 176.

(*) Data on request.

KDN 300-400 - 6 POLES - STANDARDISED CENTRIFUGAL ELECTRIC PUMPS FOR AIR CONDITIONING, REFRIGERATION, IRRIGATION, DECANTING, PRESSURISATION SYSTEMS, AND INDUSTRIAL APPLICATIONS

Pumped liquid temperature range: from -10 °C to +120°C - Maximum ambient temperature: +40°C

= 970 1/min



See hydraulic efficiency details on page 291.

The performance curves are based on kinematic viscosity values = 1 mm²/s and density equal to 1000 kg/m³. Curve tolerance according to ISO 9906.

MODEL	ELECTRICAL DATA					
	POWER (kW) 6 POLES	MOTOR SIZE	POWER INPUT 50 Hz	In A		MOTOR TYPE
				IE2	IE3	
KDN 300-400	45	280S	3 x 400 V - Δ	85.9	80.60	IE2 / IE3
	55	280M	3 x 400 V - Δ	103	98.10	IE2 / IE3
	75	315S	3 x 400 V - Δ	134	135	IE2 / IE3
	90	315M	3 x 400 V - Δ	162	159	IE2 / IE3
	110	315M	3 x 400 V - Δ	194	192	IE2 / IE3

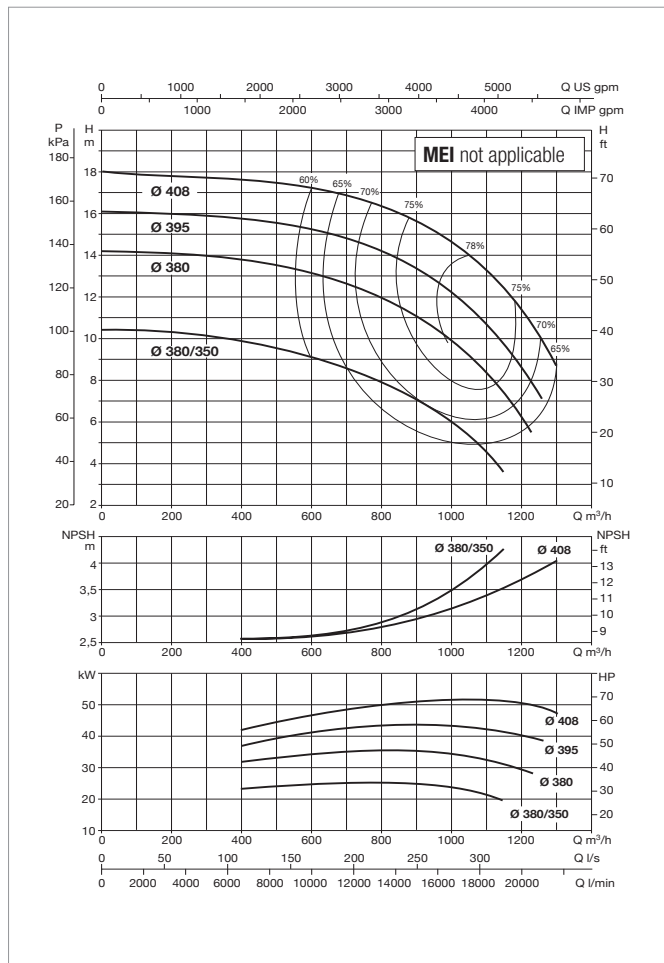
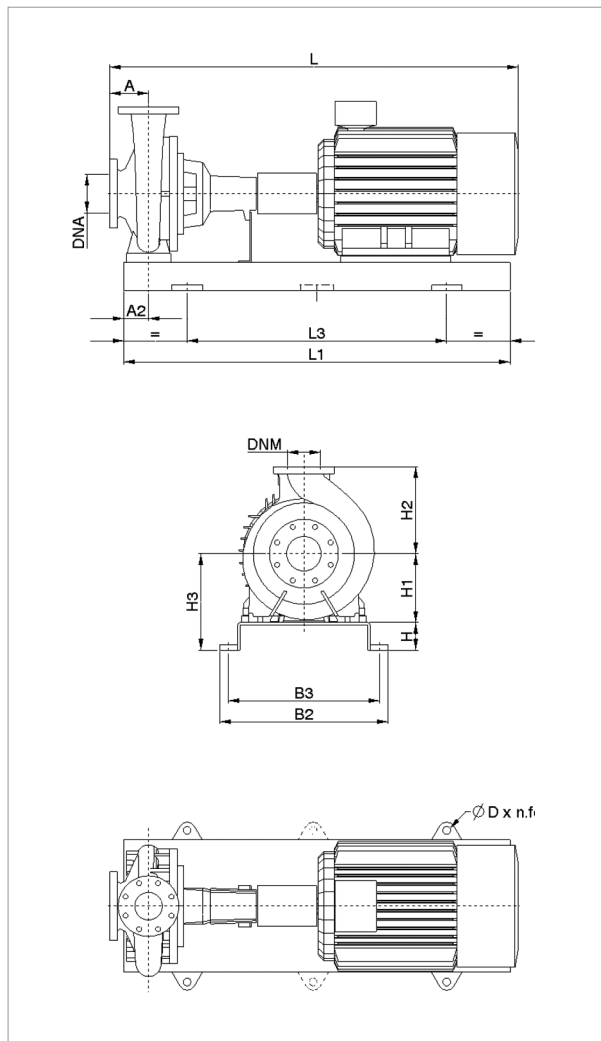
MODEL	POWER (kW)	UNIT DIMENSIONS (mm)											FLANGE DIMENSIONS (mm)		STANDARD COUPLING				SPACER COUPLING				REF.
		A	A2	H	H1	H2	H3	L1	L3	B2	B3	D	DNA	DNM	IE2		IE3		IE2		IE3		
															L	WEIGHT kg	L	WEIGHT kg	L	WEIGHT kg	L	WEIGHT kg	
KDN 300-400	45	325	135	120	400	640	520	2000	1340	910	830	28x4	350	300	1119	800	1190	800	1360	815	1431	815	10
	55	325	135	120	400	640	520	2000	1340	910	830	28x4	350	300	1119	800	1190	800	1360	815	1431	815	10
	75	325	135	120	400	640	520	2000	1340	910	830	28x4	350	300	1119	800	1190	800	1360	815	1431	815	10
	90	325	135	120	400	640	520	2000	1340	910	830	28x4	350	300	1119	800	1190	800	1360	815	1431	815	10
	110	325	135	120	400	640	520	2000	1340	910	830	28x4	350	300	1119	800	1207	800	1360	815	1448	815	10

Dimension and electrical data based on sizing definition following the instructions on page 176.

KDN 300-400M - 6 POLES - STANDARDISED CENTRIFUGAL ELECTRIC PUMPS FOR AIR CONDITIONING, REFRIGERATION, IRRIGATION, DECANTING, PRESSURISATION SYSTEMS, AND INDUSTRIAL APPLICATIONS

Pumped liquid temperature range: from -10 °C to +120°C - Maximum ambient temperature: +40°C

= 970 1/min



See hydraulic efficiency details on page 291.

The performance curves are based on kinematic viscosity values = 1 mm²/s and density equal to 1000 kg/m³. Curve tolerance according to ISO 9906.

MODEL	ELECTRICAL DATA					
	POWER (kW)	MOTOR SIZE	POWER INPUT 50 Hz	In A		MOTOR TYPE
	6 POLES			IE2	IE3	
KDN 300-400M	45	280S	3 x 400 V - Δ	85.9	80.60	IE2 / IE3
	55	280M	3 x 400 V - Δ	103	98.10	IE2 / IE3
	75	315S	3 x 400 V - Δ	134	135	IE2 / IE3
	90	315M	3 x 400 V - Δ	162	159	IE2 / IE3

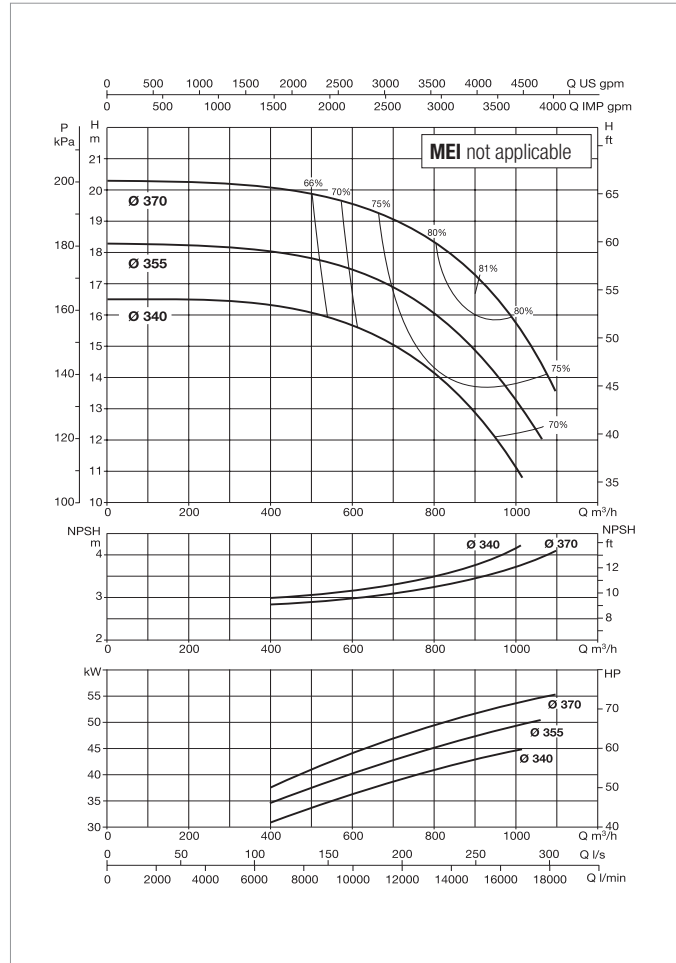
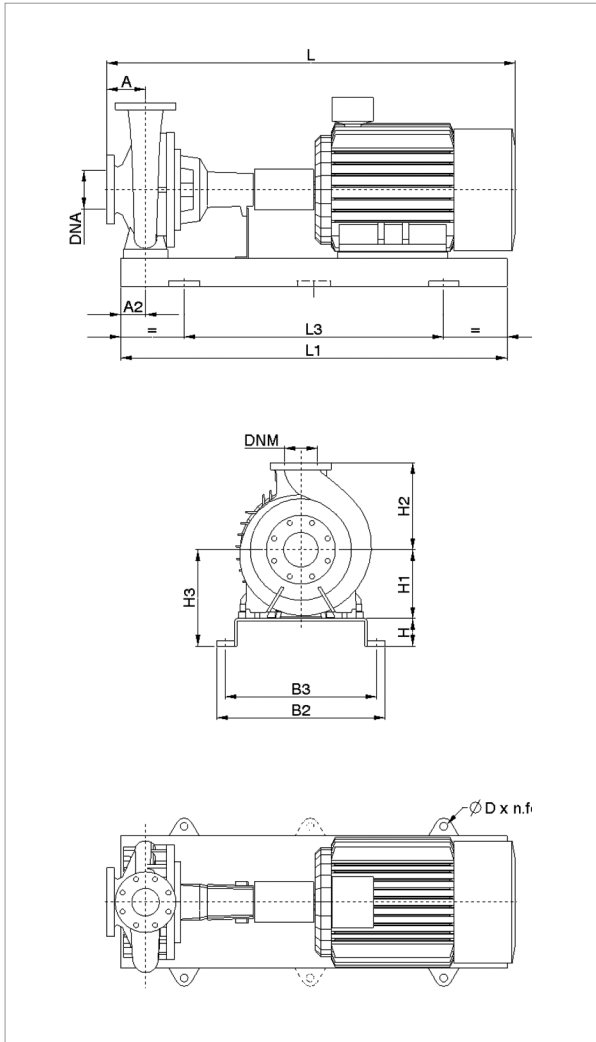
MODEL	POWER (kW)	UNIT DIMENSIONS (mm)											FLANGE DIMENSIONS (mm)		STANDARD COUPLING				SPACER COUPLING				REF.
		A	A2	H	H1	H2	H3	L1	L3	B2	B3	D	DNA	DNM	IE2		IE3		IE2		IE3		
		L	WEIGHT kg	L	WEIGHT kg	L	WEIGHT kg	L	WEIGHT kg														
KDN 300-400M	45	325	135	120	400	640	520	2000	1340	910	830	28x4	350	300	1119	800	1190	800	1360	815	1431	815	10
	55	325	135	120	400	640	520	2000	1340	910	830	28x4	350	300	1119	800	1190	800	1360	815	1431	815	10
	75	325	135	120	400	640	520	2000	1340	910	830	28x4	350	300	1119	800	1190	800	1360	815	1431	815	10
	90	325	135	120	400	640	520	2000	1340	910	830	28x4	350	300	1119	800	1190	800	1360	815	1431	815	10

Dimension and electrical data based on sizing definition following the instructions on page 176.

KDN 300-400A - 6 POLES - STANDARDISED CENTRIFUGAL ELECTRIC PUMPS FOR AIR CONDITIONING, REFRIGERATION, IRRIGATION, DECANTING, PRESSURISATION SYSTEMS, AND INDUSTRIAL APPLICATIONS

Pumped liquid temperature range: from -10 °C to +120°C - Maximum ambient temperature: +40°C

= 970 1/min



See hydraulic efficiency details on page 291.

The performance curves are based on kinematic viscosity values = 1 mm²/s and density equal to 1000 kg/m³. Curve tolerance according to ISO 9906.

MODEL	ELECTRICAL DATA					
	POWER (kW)	MOTOR SIZE	POWER INPUT 50 Hz	In A		MOTOR TYPE
	6 POLES			IE2	IE3	
KDN 300-400A	45	280S	3 x 400 V - Δ	85.9	80.60	IE2 / IE3
	55	280M	3 x 400 V - Δ	103	98.10	IE2 / IE3
	75	315S	3 x 400 V - Δ	134	135	IE2 / IE3
	90	315M	3 x 400 V - Δ	162	159	IE2 / IE3

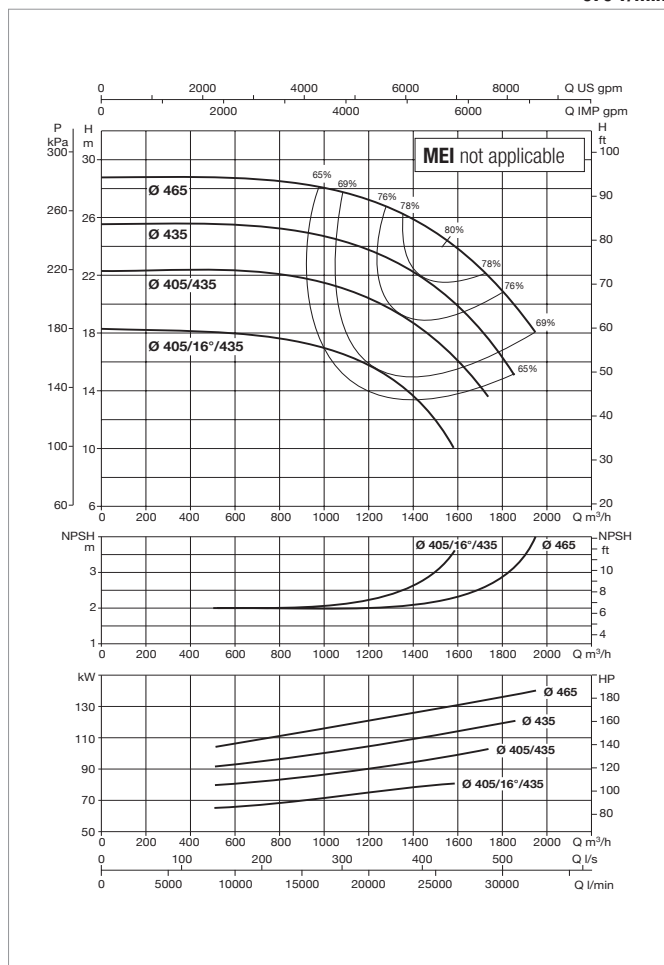
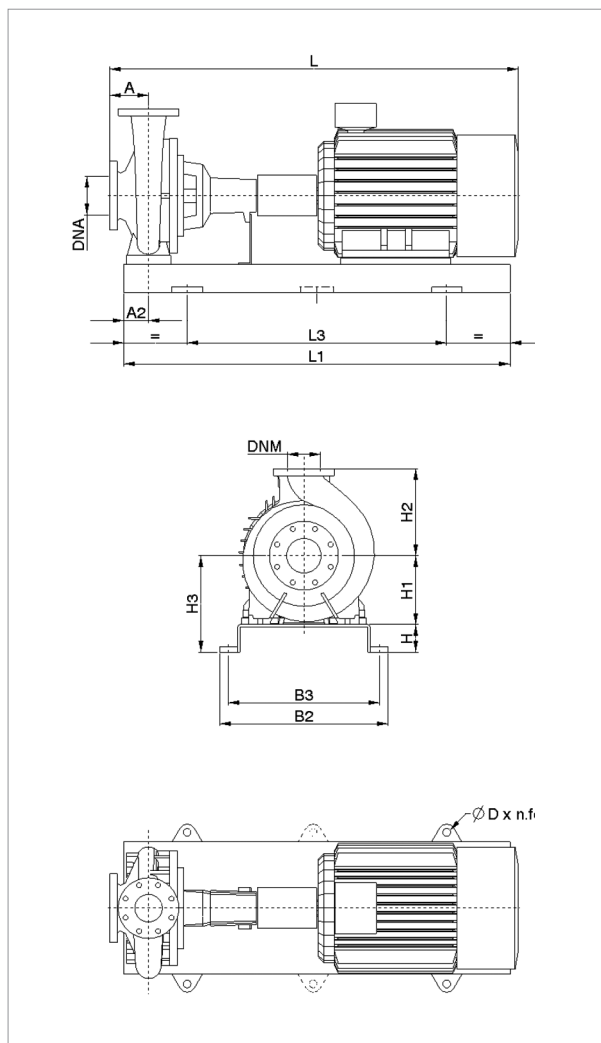
MODEL	POWER (kW)	UNIT DIMENSIONS (mm)											FLANGE DIMENSIONS (mm)		STANDARD COUPLING				SPACER COUPLING				REF.
		A	A2	H	H1	H2	H3	L1	L3	B2	B3	D	DNA	DNM	IE2		IE3		IE2		IE3		
		L	WEIGHT kg	L	WEIGHT kg	L	WEIGHT kg	L	WEIGHT kg	L	WEIGHT kg	L	WEIGHT kg	L	WEIGHT kg	L	WEIGHT kg	L	WEIGHT kg				
KDN 300-400A	45	325	135	120	400	640	520	2000	1340	910	830	28x4	350	300	1119	800	1190	800	1360	815	1431	815	10
	55	325	135	120	400	640	520	2000	1340	910	830	28x4	350	300	1119	800	1190	800	1360	815	1431	815	10
	75	325	135	120	400	640	520	2000	1340	910	830	28x4	350	300	1119	800	1190	800	1360	815	1431	815	10
	90	325	135	120	400	640	520	2000	1340	910	830	28x4	350	300	1119	800	1190	800	1360	815	1431	815	10

Dimension and electrical data based on sizing definition following the instructions on page 176.

KDN 350-500A - 6 POLES - STANDARDISED CENTRIFUGAL ELECTRIC PUMPS FOR AIR CONDITIONING, REFRIGERATION, IRRIGATION, DECANTING, PRESSURISATION SYSTEMS, AND INDUSTRIAL APPLICATIONS

Pumped liquid temperature range: from -10 °C to +120°C - Maximum ambient temperature: +40°C

= 970 1/min



See hydraulic efficiency details on page 291.

The performance curves are based on kinematic viscosity values = 1 mm²/s and density equal to 1000 kg/m³. Curve tolerance according to ISO 9906.

MODEL	ELECTRICAL DATA					
	POWER (kW)	MOTOR SIZE	POWER INPUT 50 Hz	In A		MOTOR TYPE
	6 POLES			IE2	IE3	
KDN 350-500A	90	315M	3 x 400 V - Δ	162	159	IE2 / IE3
	110	315M	3 x 400 V - Δ	194	192	IE2 / IE3
	132	315M	3 x 400 V - Δ	(*)	(*)	IE2 / IE3
	160	315M	3 x 400 V - Δ	(*)	(*)	IE2 / IE3

MODEL	POWER (kW)	UNIT DIMENSIONS (mm)											FLANGE DIMENSIONS (mm)		STANDARD COUPLING				SPACER COUPLING			
		A	A2	H	H1	H2	H3	L1	L3	B2	B3	D	DNA	DNM	IE2		IE3		IE2		IE3	
		L	WEIGHT kg	L	WEIGHT kg	L	WEIGHT kg	L	WEIGHT kg													
KDN 350-500A	90	380	295	240	600	600	840	2490	1890	1305	1260	20x6	400	350	2587	1080	2658	1080	2588	1095	2659	1095
	110	380	295	240	600	600	840	2490	1890	1305	1260	20x6	400	350	2587	1080	2675	1080	2588	1095	2676	1095
	132	380	295	240	600	600	840	2490	1890	1305	1260	20x6	400	350	2587	1080	2675	1080	2588	1095	2676	1095
	160	380	295	240	600	600	840	2700	2100	1305	1260	20x6	400	350	3114	1080	3202	1080	3115	1095	3203	1095

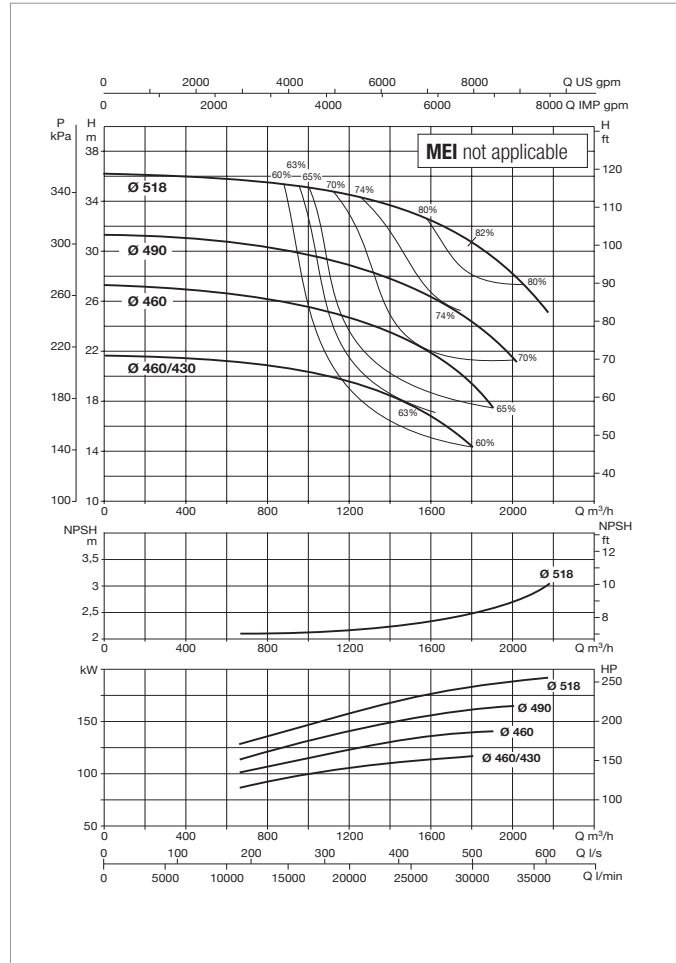
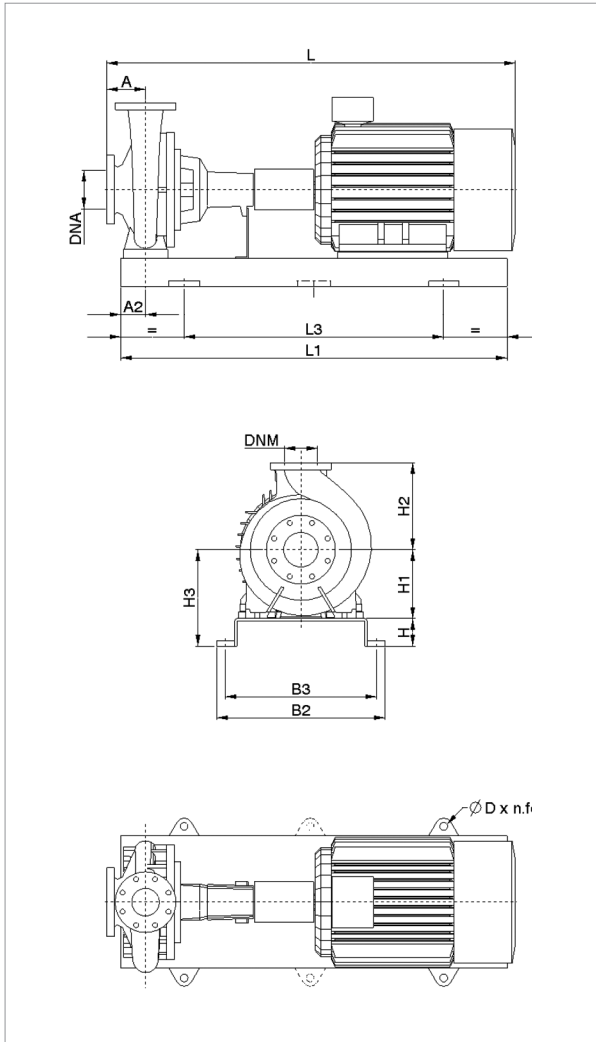
Dimension and electrical data based on sizing definition following the instructions on page 176.

(*) Data on request.

KDN 350-500 - 6 POLES - STANDARDISED CENTRIFUGAL ELECTRIC PUMPS FOR AIR CONDITIONING, REFRIGERATION, IRRIGATION, DECANTING, PRESSURISATION SYSTEMS, AND INDUSTRIAL APPLICATIONS

Pumped liquid temperature range: from -10 °C to +120°C - Maximum ambient temperature: +40°C

= 970 1/min



See hydraulic efficiency details on page 291.

The performance curves are based on kinematic viscosity values = 1 mm²/s and density equal to 1000 kg/m³. Curve tolerance according to ISO 9906.

MODEL	ELECTRICAL DATA					
	POWER (kW) 6 POLES	MOTOR SIZE	POWER INPUT 50 Hz	In A		MOTOR TYPE
				IE2	IE3	
KDN 350-500	110	315M	3 x 400 V - Δ	194	192	IE2 / IE3
	132	315M	3 x 400 V - Δ	(*)	(*)	IE2 / IE3
	160	315M	3 x 400 V - Δ	(*)	(*)	IE2 / IE3
	200	355L	3 x 400 V - Δ	(*)	(*)	IE2 / IE3
	250	355L	3 x 400 V - Δ	(*)	(*)	IE2 / IE3

MODEL	POWER (kW)	UNIT DIMENSIONS (mm)											FLANGE DIMENSIONS (mm)		STANDARD COUPLING				SPACER COUPLING			
		A	A2	H	H1	H2	H3	L1	L3	B2	B3	D	DNA	DNM	IE2		IE3		IE2		IE3	
															L	WEIGHT kg	L	WEIGHT kg	L	WEIGHT kg	L	WEIGHT kg
KDN 350-500	110	380	295	240	600	600	840	2490	1890	1305	1260	20x6	400	350	2587	1080	2675	1080	2588	1095	2676	1095
	132	380	295	240	600	600	840	2490	1890	1305	1260	20x6	400	350	2587	1080	2675	1080	2588	1095	2676	1095
	160	380	295	240	600	600	840	2490	1890	1305	1260	20x6	400	350	2587	1080	2675	1080	2588	1095	2676	1095
	200	380	(*)	(*)	600	600	600	(*)	(*)	(*)	(*)	(*)	400	350	(*)	(*)	(*)	(*)	(*)	(*)	(*)	(*)
	250	380	(*)	(*)	600	600	600	(*)	(*)	(*)	(*)	(*)	400	350	(*)	(*)	(*)	(*)	(*)	(*)	(*)	(*)

Dimension and electrical data based on sizing definition following the instructions on page 176.

(*) Data on request.

KDN OVERSIZE - 6 POLES

STANDARDISED CENTRIFUGAL ELECTRIC PUMPS

IE2 STANDARD MOTOR ELECTRIC DATA

=970 1/min

MOTOR TYPE	P2 NOMINAL kW	SPEED rpm	YIELD %	POWER FACTOR COS φ	POWER INPUT 50 Hz	In A		Start-up current Ia/In	Start-up torque Ma/Mn	Maximum torque M/k/Mn	POLES
						400	690				
MEC132M2	5.50	970	86.3	0.75	3 x 400 Δ	12.4	7.16	7.49	3.18	2.88	6
MEC160M	7.50	970	87.5	0.76	3 x 400 Δ	16.4	9.47	6.83	3.13	2.90	6
MEC160L	11.00	970	88.7	0.76	3 x 400 Δ	23.6	13.61	7.06	3.30	2.90	6
MEC180L	15.00	980	89.7	0.76	3 x 400 Δ	31.5	18.19	7.00	2.00	2.10	6
MEC200L1	18.50	980	90.3	0.81	3 x 400 Δ	36.5	21.07	7.41	2.66	3.05	6
MEC200L2	22.00	980	91.0	0.79	3 x 400 Δ	44.0	25.41	8.21	3.54	3.54	6
MEC225M	30.00	980	91.8	0.86	3 x 400 Δ	55.0	31.74	5.73	2.09	2.13	6
MEC250M	37.00	980	92.5	0.84	3 x 400 Δ	69.0	39.85	7.98	3.40	3.49	6
MEC280S	45.00	980	92.8	0.82	3 x 400 Δ	85.9	49.61	6.29	2.29	3.02	6
MEC280M	55.00	980	93.2	0.82	3 x 400 Δ	103	59.73	6.34	2.34	2.99	6
MEC315S	75.00	990	93.8	0.87	3 x 400 Δ	134	77.37	7.03	2.43	2.88	6
MEC315M	90.00	990	94.0	0.86	3 x 400 Δ	162	93.53	7.22	2.61	2.90	6
MEC315L1	110.00	990	94.3	0.87	3 x 400 Δ	194	112.01	7.36	2.69	2.90	6

IE3 STANDARD MOTOR ELECTRIC DATA

=970 1/min

MOTOR TYPE	P2 NOMINAL kW	SPEED rpm	YIELD %	POWER FACTOR COS φ	POWER INPUT 50 Hz	In A		Start-up current Ia/In	Start-up torque Ma/Mn	Maximum torque M/k/Mn	POLES
						400	690				
MEC 160M	7.50	970	89.10	0.770	3 x 400 Δ	15.80	9.13	6.00	2.40	2.40	6
MEC 160L	11.00	975	90.30	0.760	3 x 400 Δ	23.10	13.35	6.80	2.90	2.60	6
MEC 180L	15.00	980	91.20	0.800	3 x 400 Δ	29.70	17.17	7.80	2.90	3.30	6
MEC 200L	18.50	980	91.70	0.810	3 x 400 Δ	36.00	20.81	7.30	2.80	2.80	6
MEC 200L	22.00	980	92.20	0.810	3 x 400 Δ	42.50	24.57	7.70	3.00	2.90	6
MEC 225M	30.00	985	92.90	0.850	3 x 400 Δ	54.80	31.68	6.20	2.10	2.20	6
MEC 250M	37.00	985	93.30	0.860	3 x 400 Δ	66.60	38.50	8.30	2.90	3.40	6
MEC 280S	45.00	990	93.70	0.860	3 x 400 Δ	80.60	46.59	7.80	2.70	3.10	6
MEC 280M	55.00	990	94.10	0.860	3 x 400 Δ	98.10	56.71	8.20	2.90	3.20	6
MEC 315S	75.00	990	94.60	0.850	3 x 400 Δ	135.00	78.03	7.70	2.40	3.10	6
MEC 315M	90.00	990	94.90	0.860	3 x 400 Δ	159.00	91.91	7.40	2.30	3.00	6
MEC 315L	110.00	990	95.10	0.870	3 x 400 Δ	192.00	110.98	6.50	2.00	2.60	6